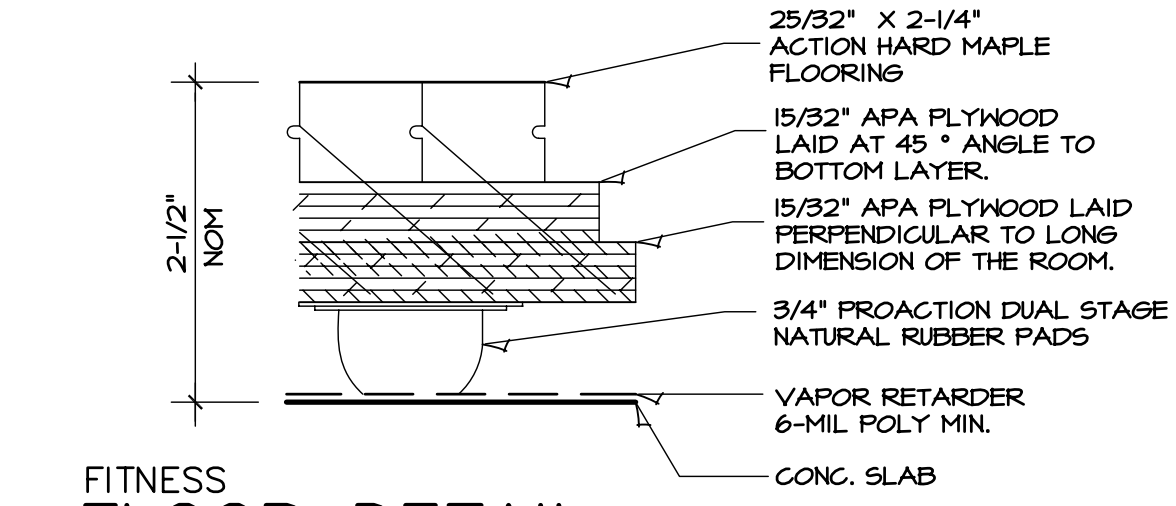
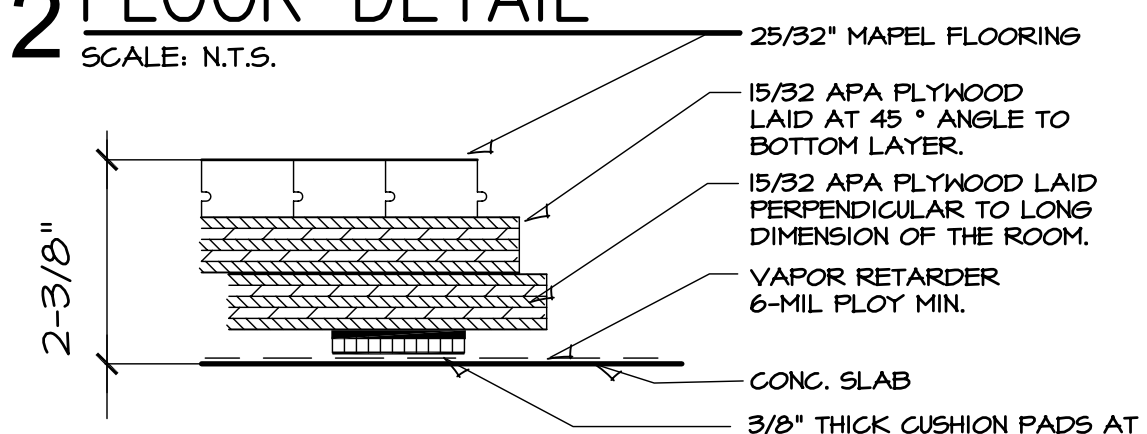


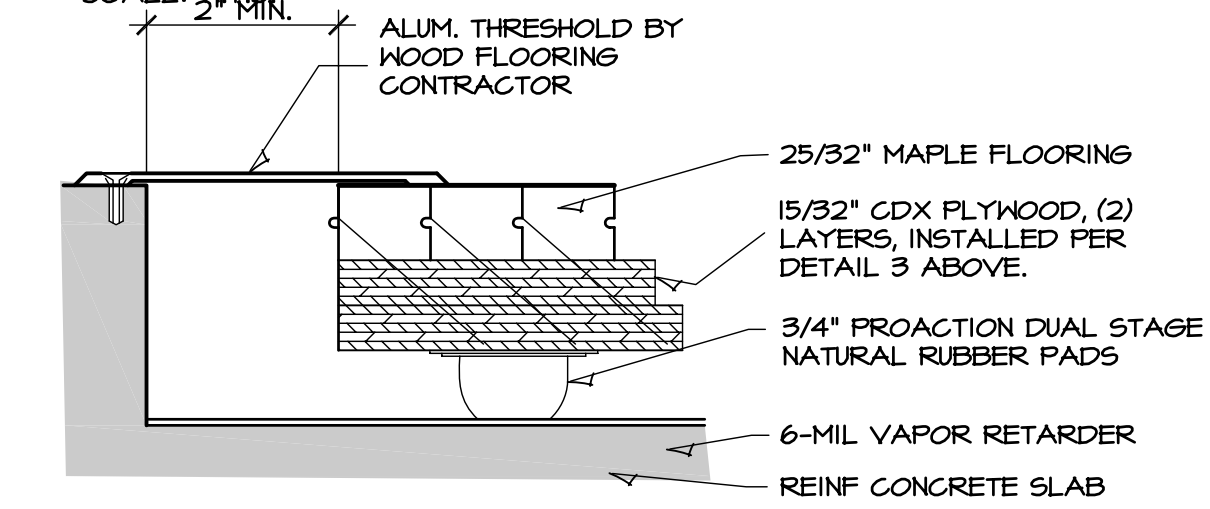
**C PARKING LEVEL FLOOR PLAN**  
SCALE: 1/4" = 1'-0"



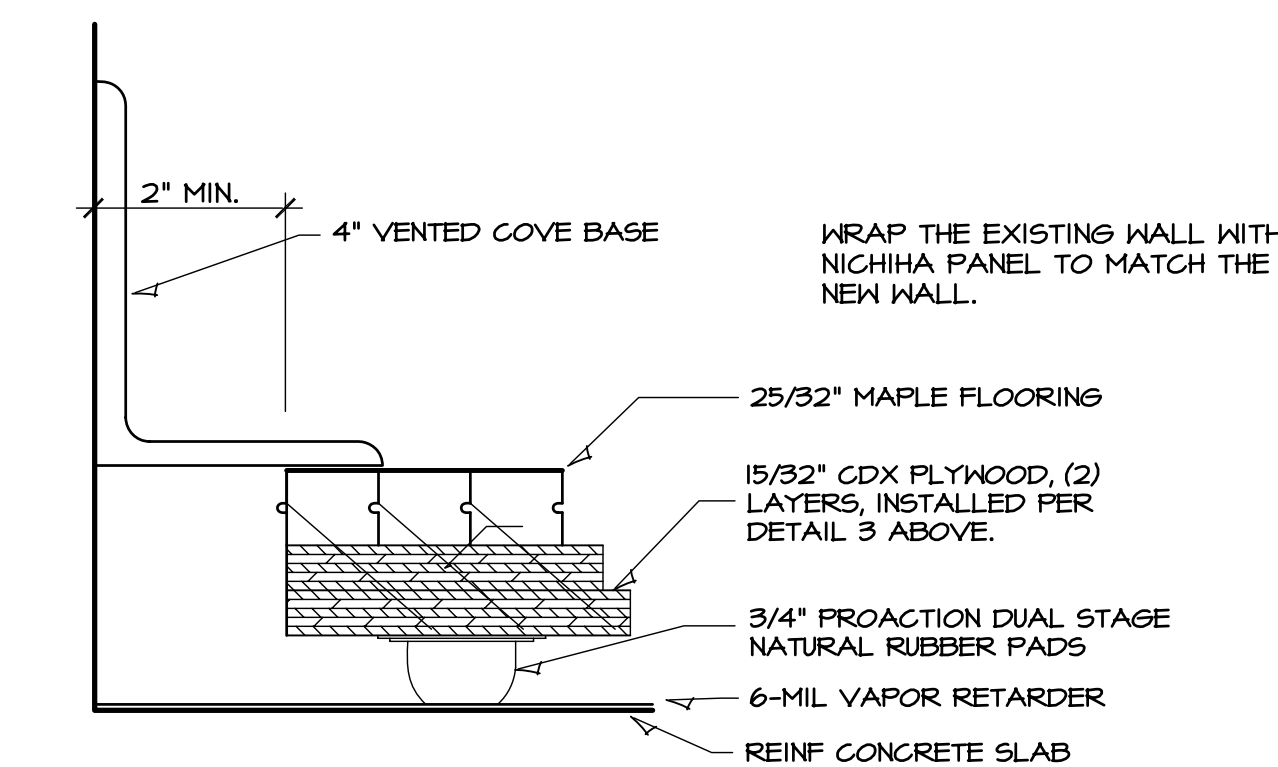
**2 FITNESS FLOOR DETAIL**  
SCALE: N.T.S.



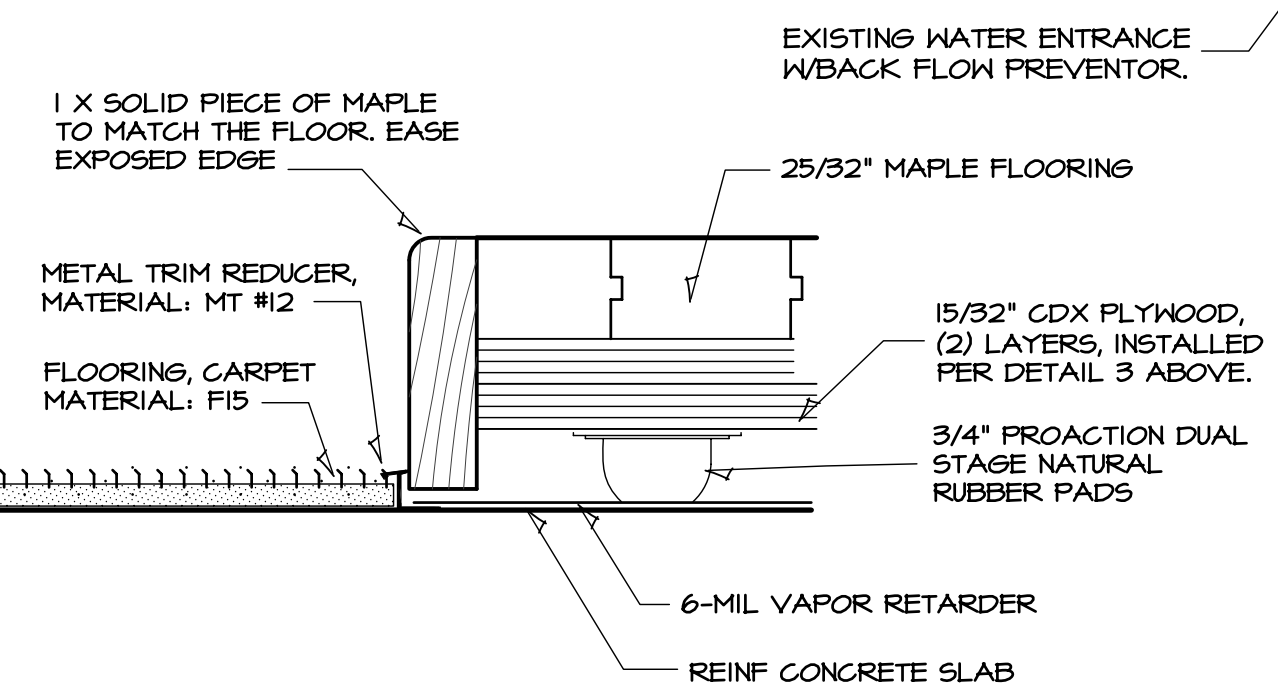
**3 BASKETBALL FLOOR DETAIL**  
SCALE: N.T.S.



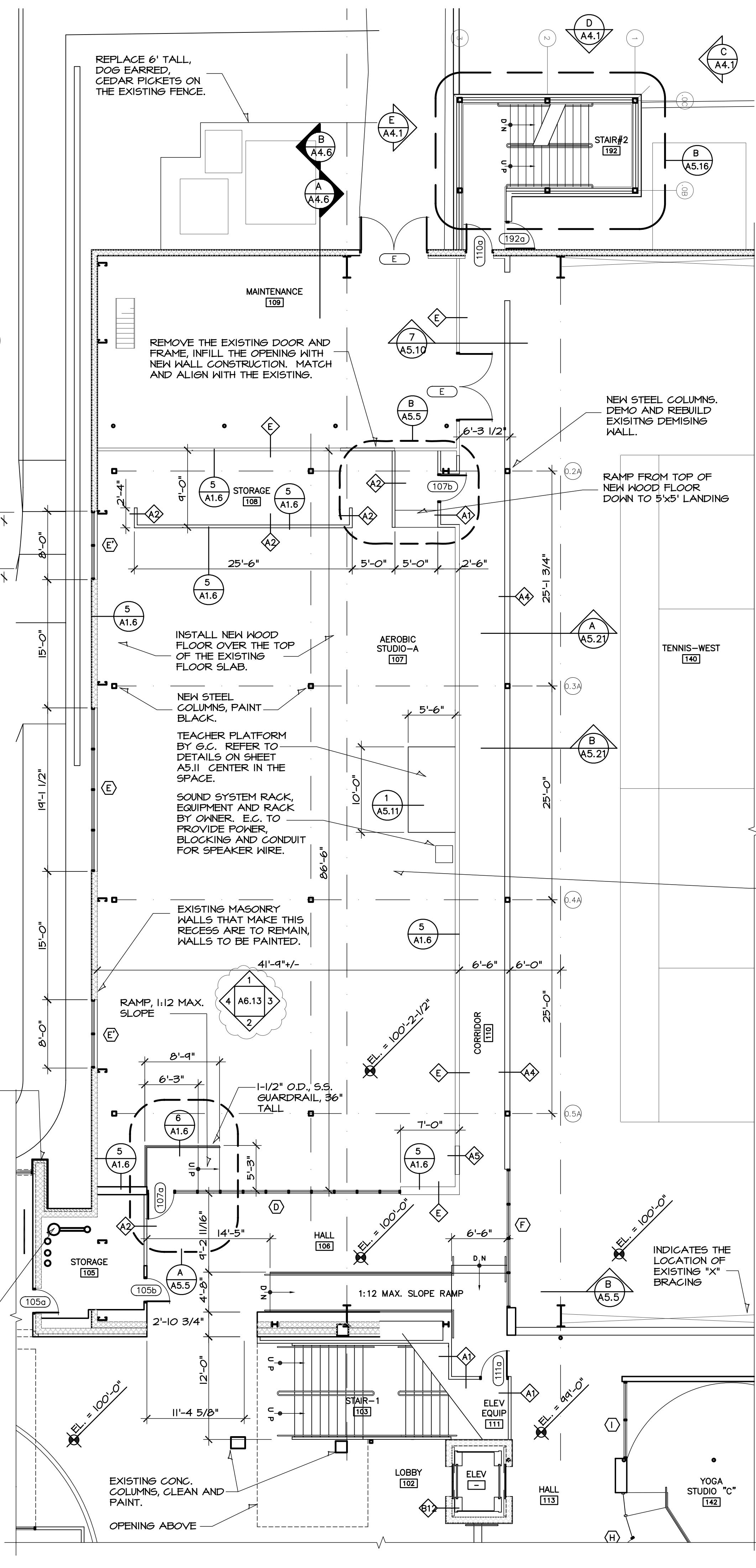
**4 WOOD FLOOR DETAIL**  
SCALE: N.T.S.



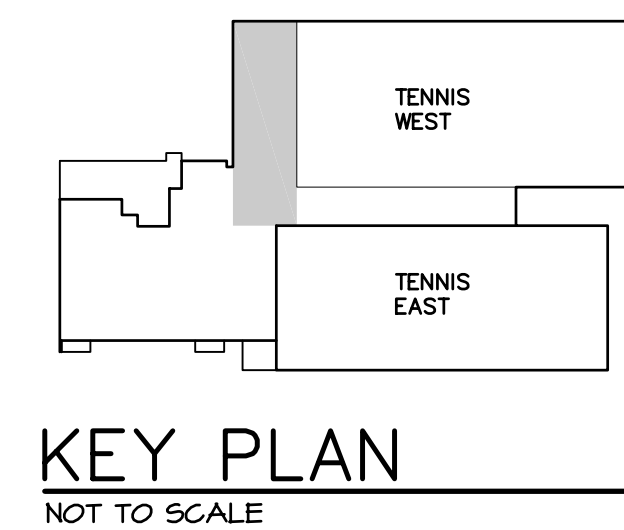
**5 WOOD FLOOR DETAIL**  
SCALE: N.T.S.



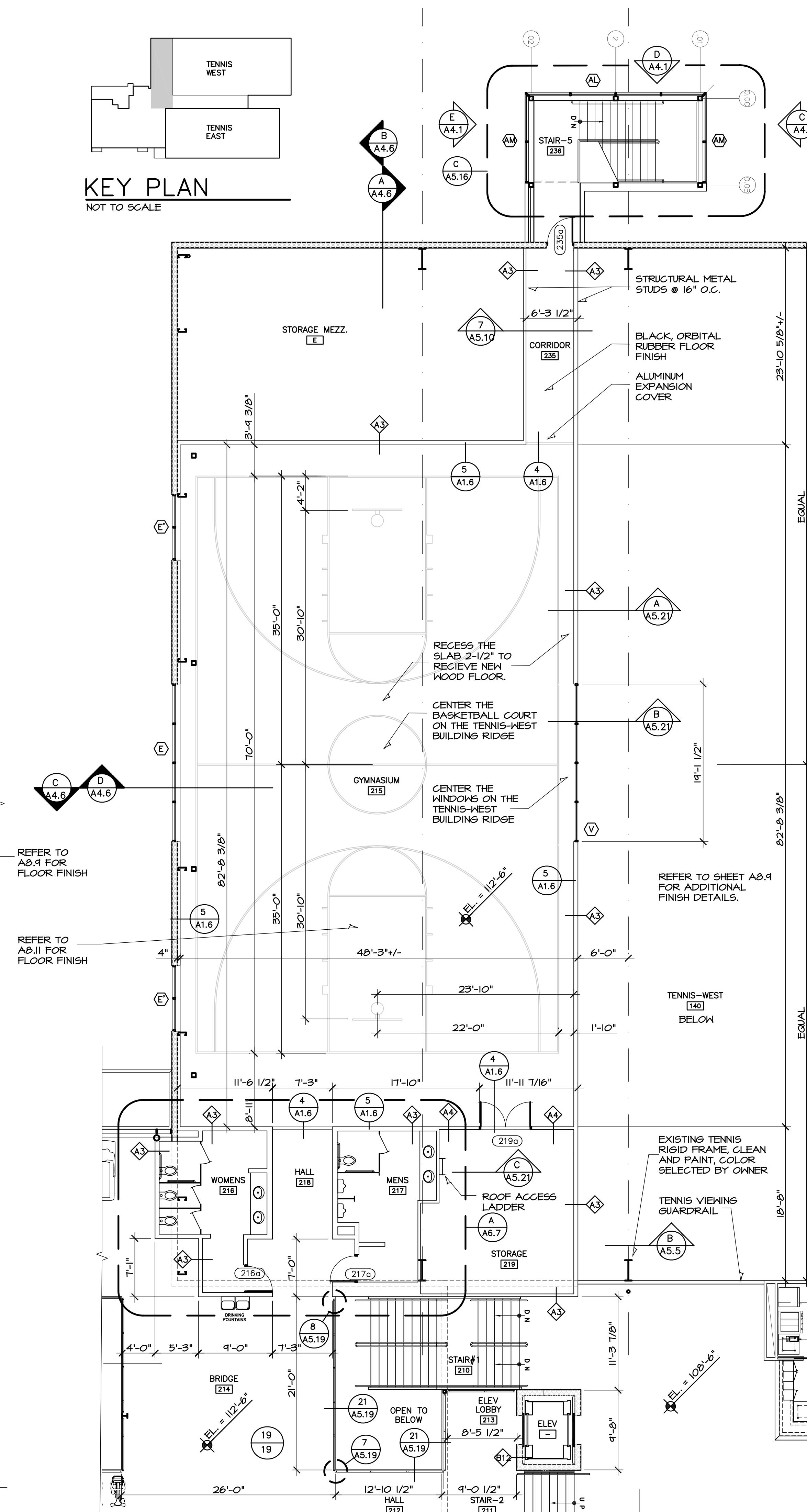
**6 WOOD FLOOR DETAIL**  
SCALE: N.T.S.



**A PARTIAL FIRST FLOOR PLAN**  
SCALE: 1/4" = 1'-0"



**KEY PLAN**  
NOT TO SCALE



**B PARTIAL MEZZANINE PLAN**  
SCALE: 1/8" = 1'-0"



**HANNAY & ASSOCIATES ARCHITECTS**  
1726 South Hillside, Wichita, Kansas 67211  
Phone (316) 683-6955  
Fax (316) 684-1441

**2018 GENESIS HEALTH CLUBS OVERLAND PARK**  
6700 W 110 Street, 66211



DRAWINGS ISSUED			
NO.	DATE	ITEM	ISSUED
19	6/07/18	ADDENDUM #3	
18	4/21/18	PLAN REVIEW	
17	2/12/18	PERMIT	
16	2/09/18	CHECK SET	
15	2/02/18	CHECK SET	
14	01/15/18	CHECK SET	
13	01/09/18	CHECK SET	

**COMPUTER DRAWING**  
OP\_A106.dwg

DATE: FEBRUARY 2018  
DRAWN BY: CHECKED BY:  
MH, CH, BS, TH MRH

SHEET  
**A1.6**  
OF SHEETS