

6/07/18  
**HANNEY & ASSOCIATES, ARCHITECTS**  
 1726 South Hillside, Wichita, Kansas 67211  
 Phone (316) 683-6965  
 Fax (316) 684-1441

**2018 GENESIS HEALTH CLUBS OVERLAND PARK**  
 6700 W 110 Street, 66211

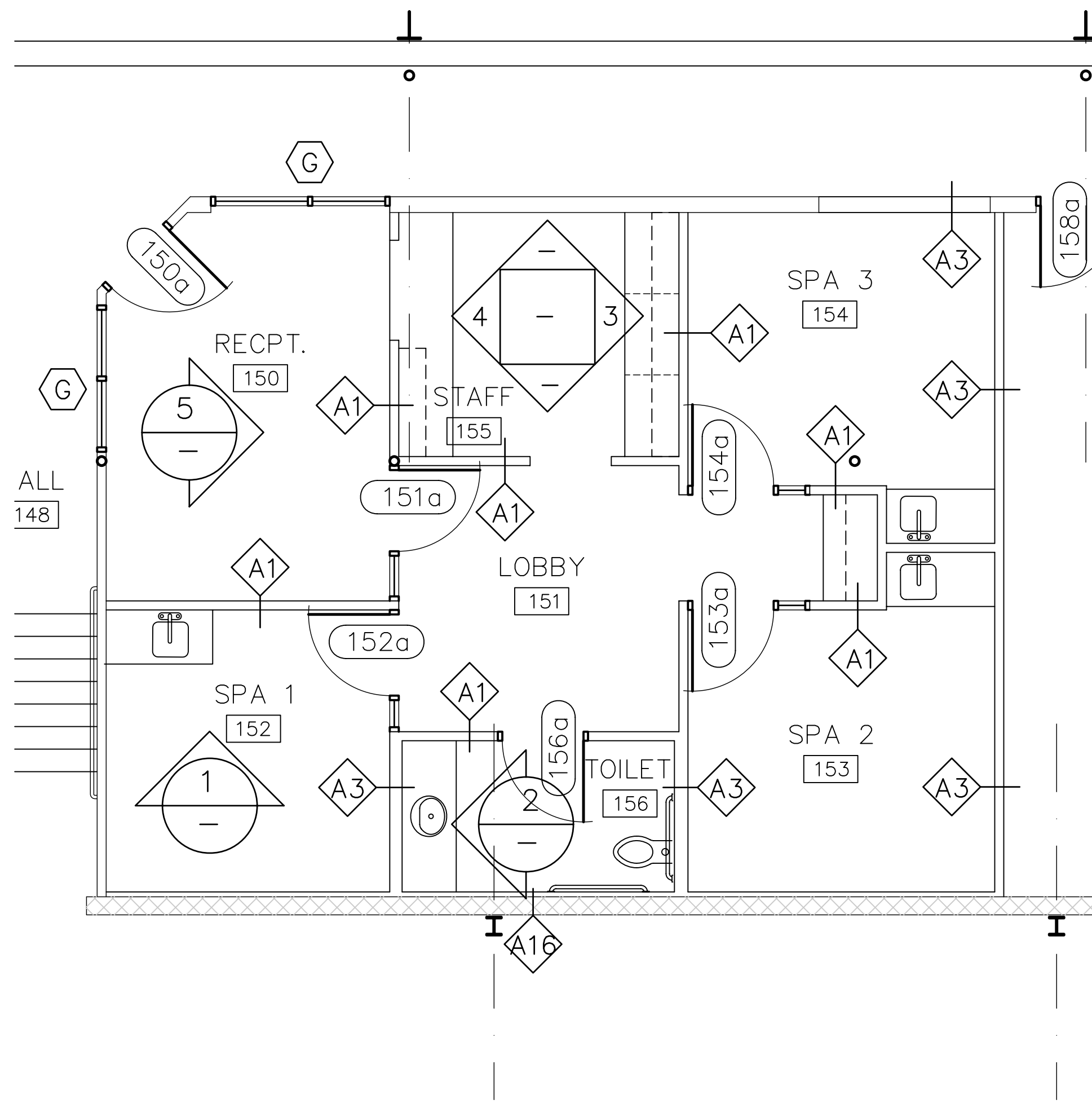


DRAWINGS ISSUED			
NO.	DATE	ITEM	ISSUED
18	6/07/18	ADDENDUM #3	
17	2/12/18	PERMIT	
16	2/09/18	CHECK SET	
15	2/02/18	CHECK SET	
14	01/15/18	CHECK SET	
13	01/09/18	CHECK SET	

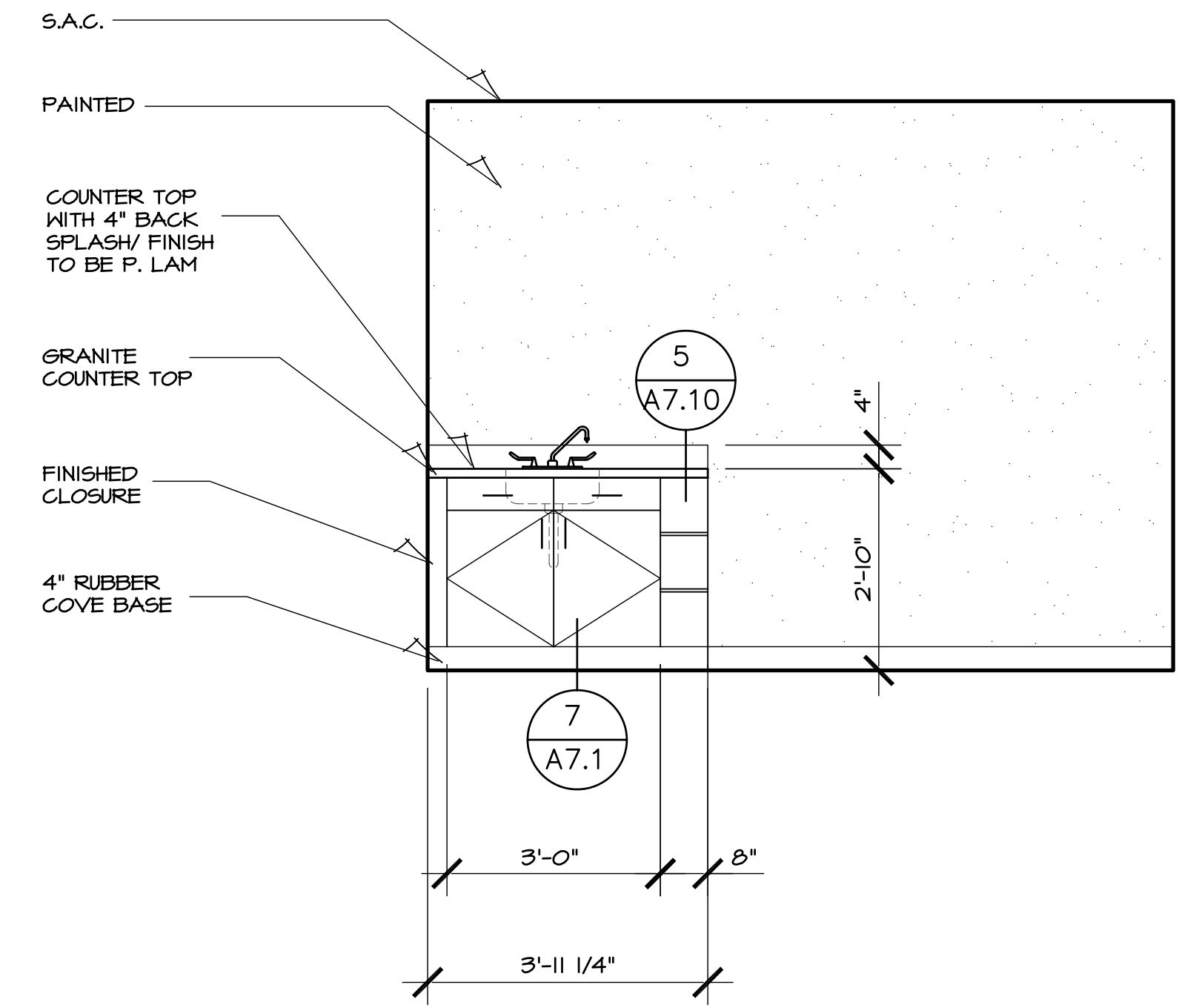
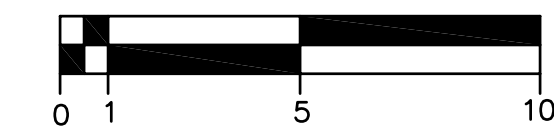
**COMPUTER DRAWING**  
 OP\_A101.DWG

DATE: FEBRUARY 2018  
 DRAWN BY: CHECKED BY:  
 MH, CH, BS, TH MRH

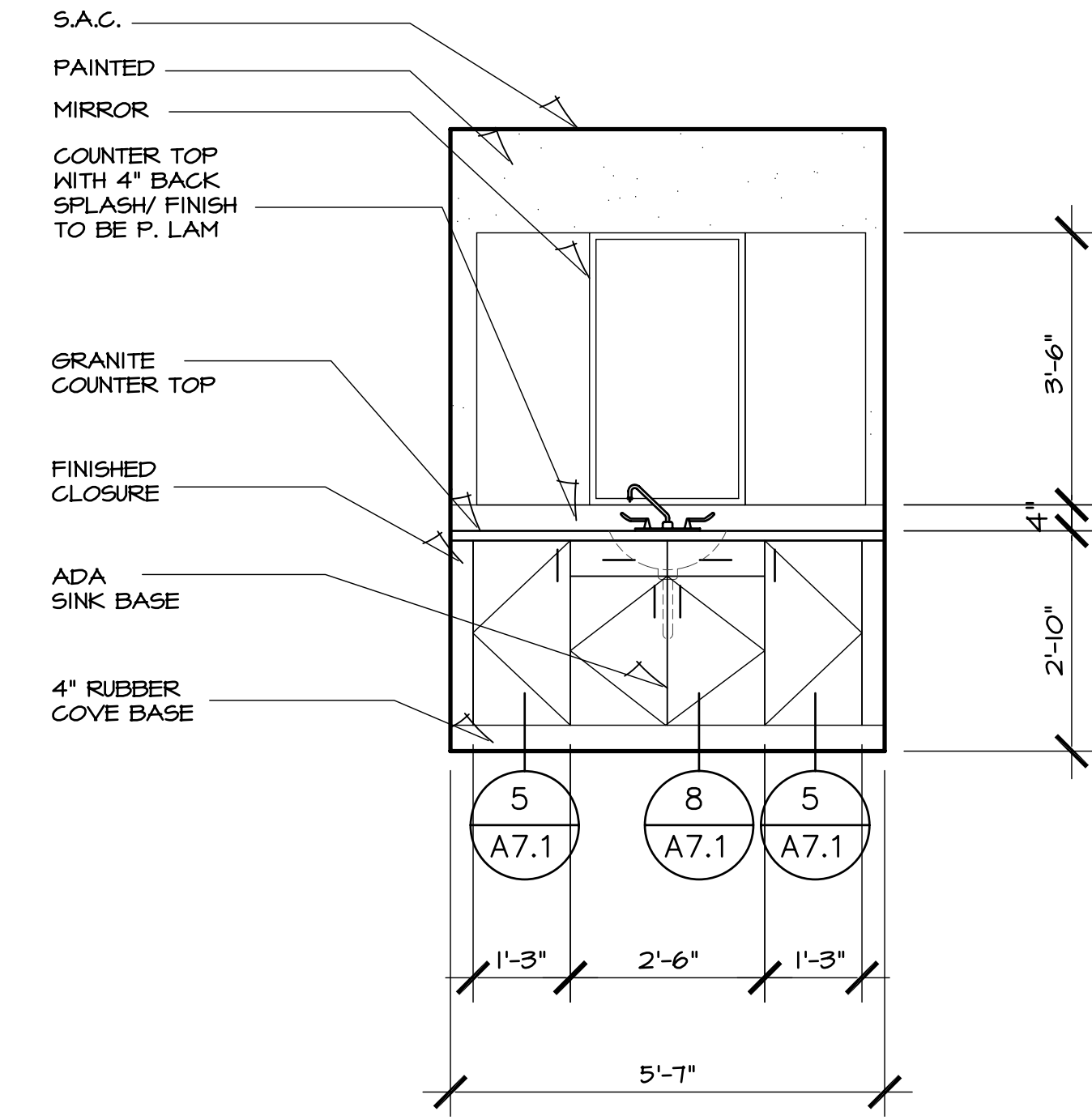
SHEET  
**A6.10**  
 OF SHEETS



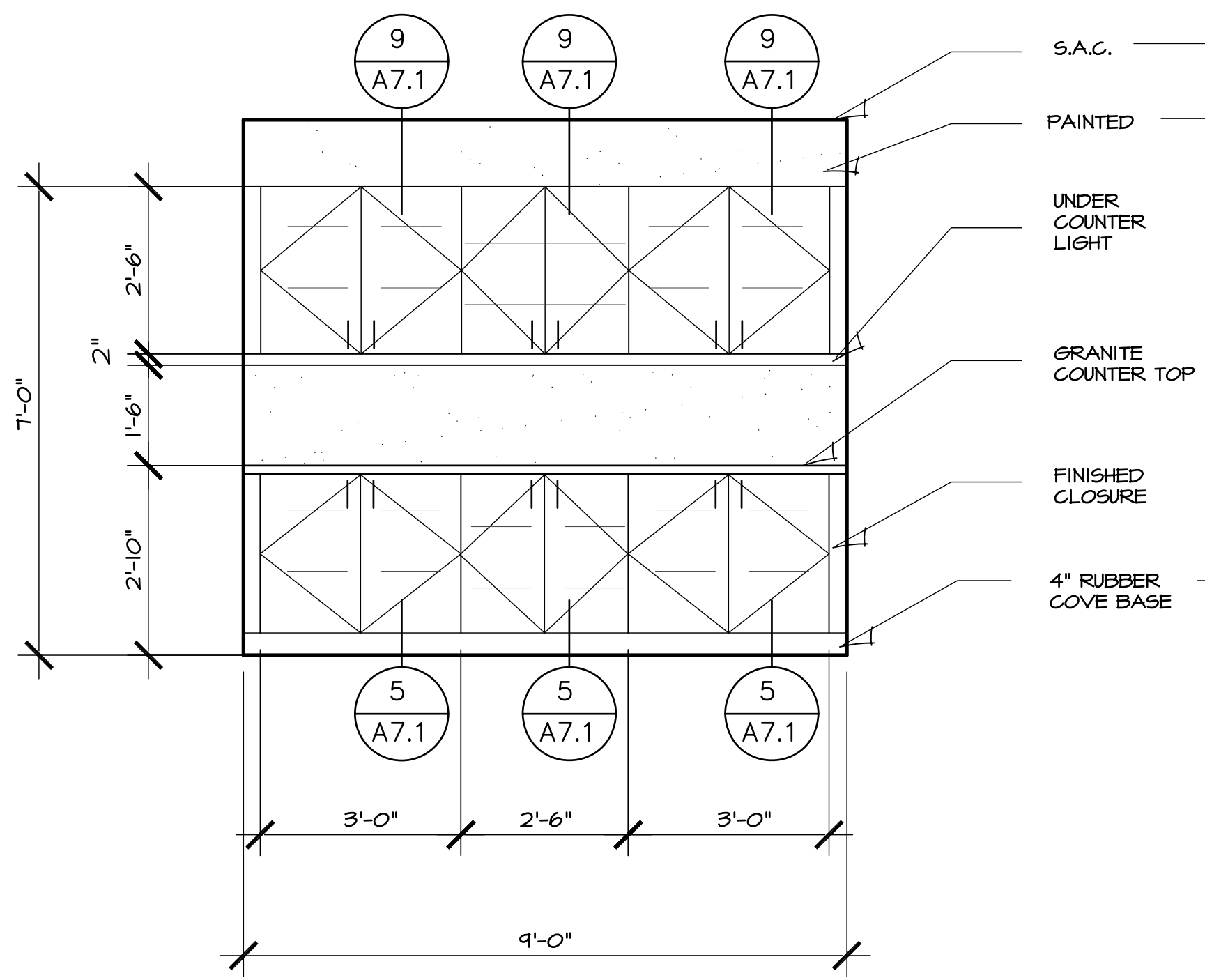
**A ENLARGED SPA FLOOR PLAN**  
 SCALE: 1/4" = 1'-0" NORTH



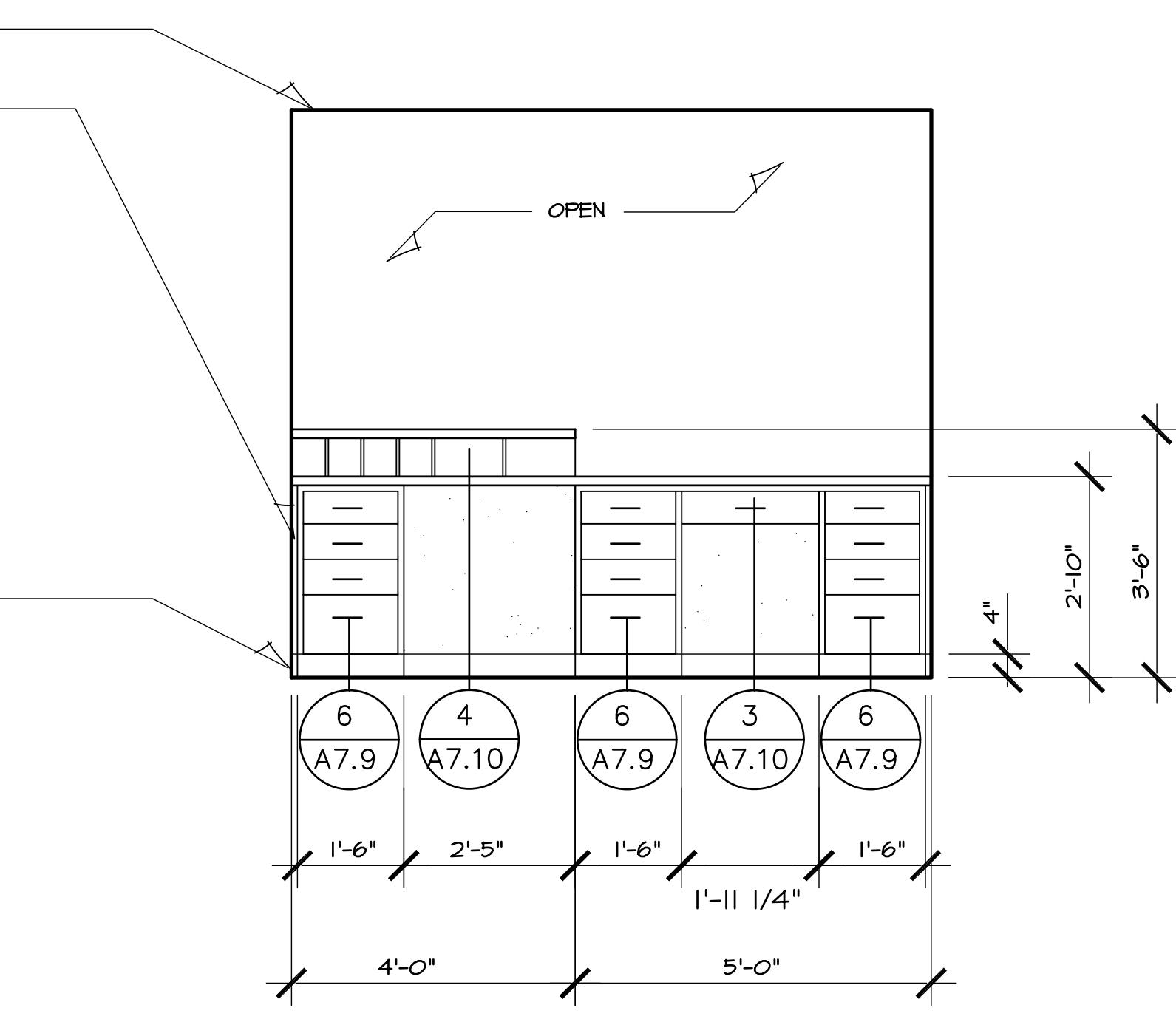
**1 SPA 1 ELEVATION**  
 SCALE: 1/2" = 1'-0"



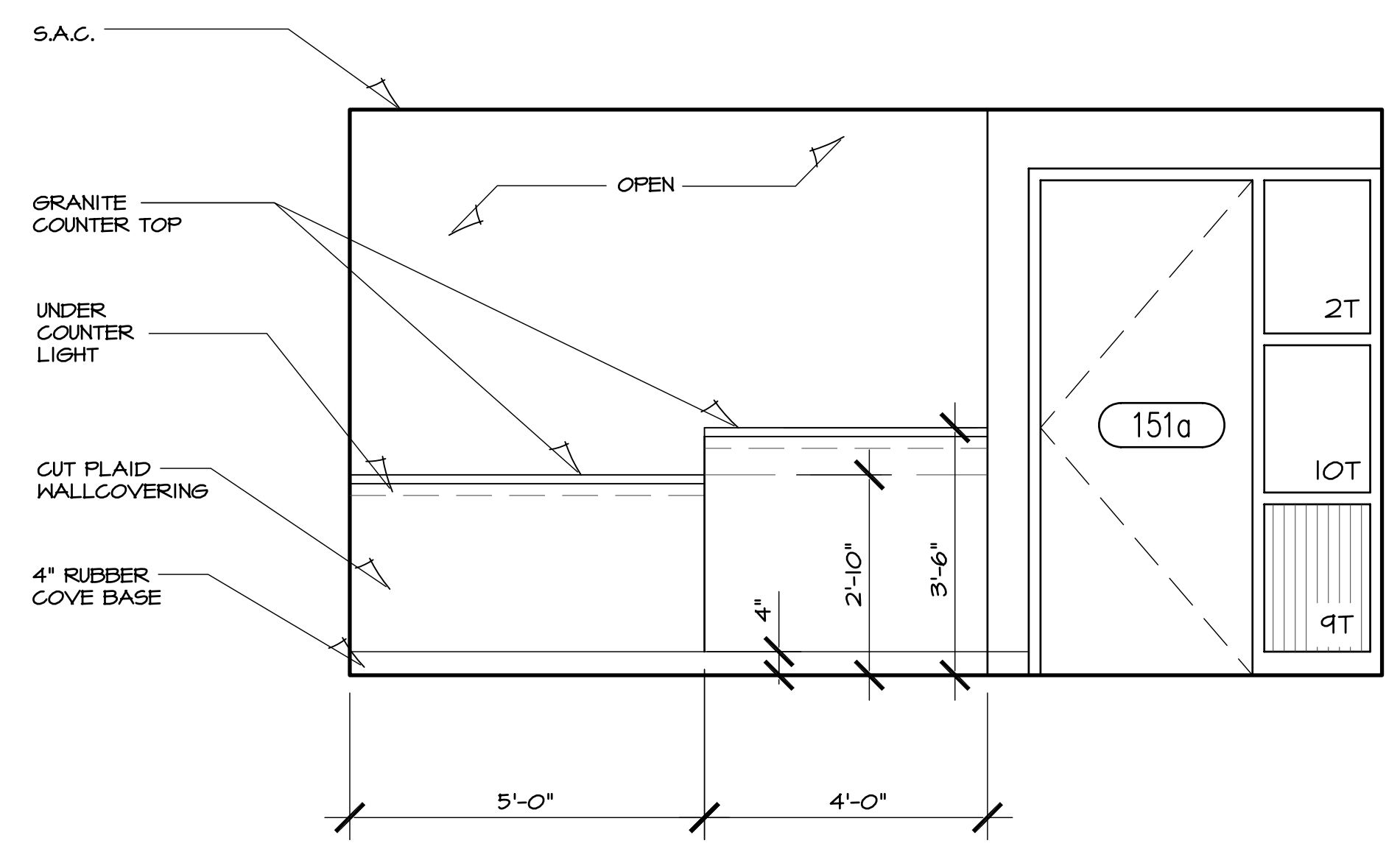
**2 TOILET ROOM #156 ELEVATION**  
 SCALE: 1/2" = 1'-0"



**3 NORTH STAFF ELEVATION**  
 SCALE: 1/2" = 1'-0"



**4 SOUTH STAFF ELEVATION**  
 SCALE: 1/2" = 1'-0"



**5 RECEPTION ELEVATION**  
 SCALE: 1/2" = 1'-0"