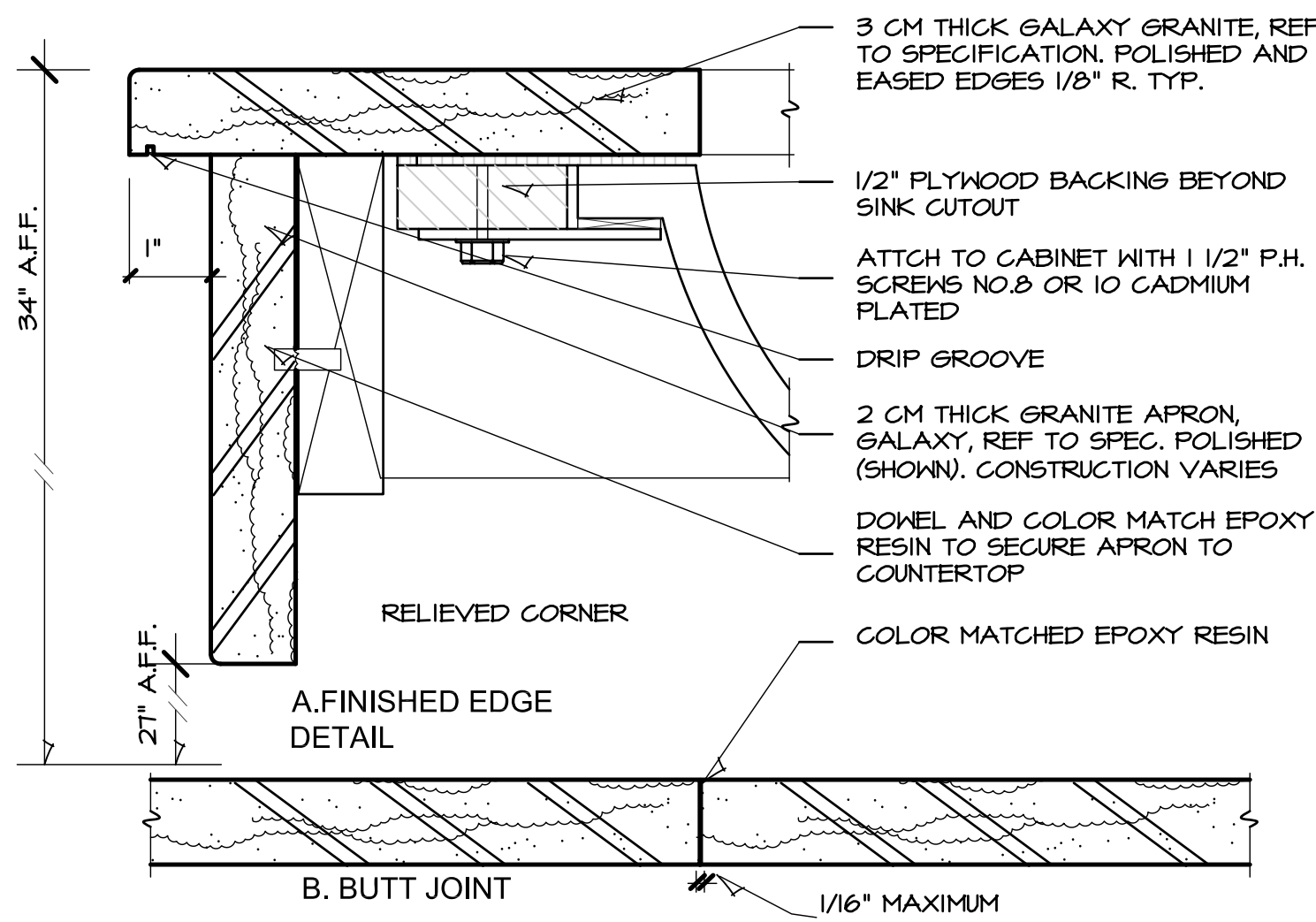
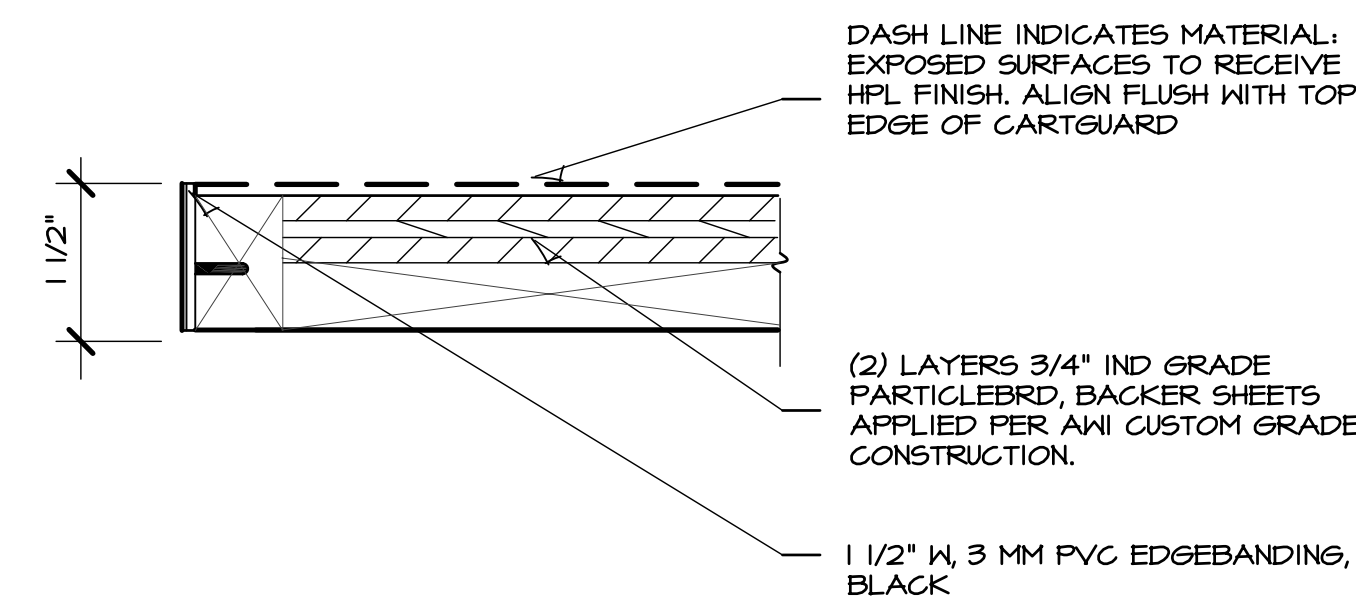


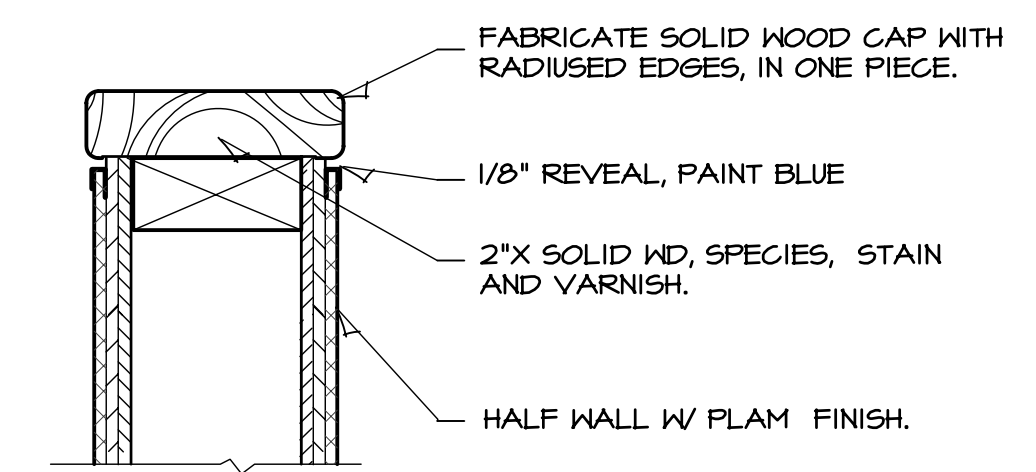
SECTION
A ENLARGED DTL COUNTER
SCALE 6" = 1'-0"



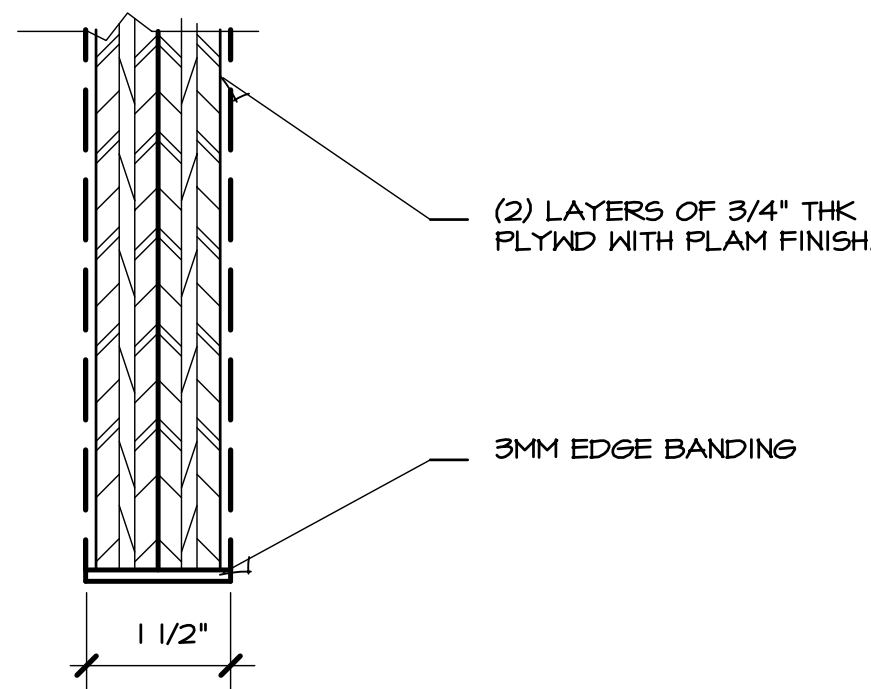
SECTION
B ENLARGED DTL LAV COUNTER
SCALE 6" = 1'-0"



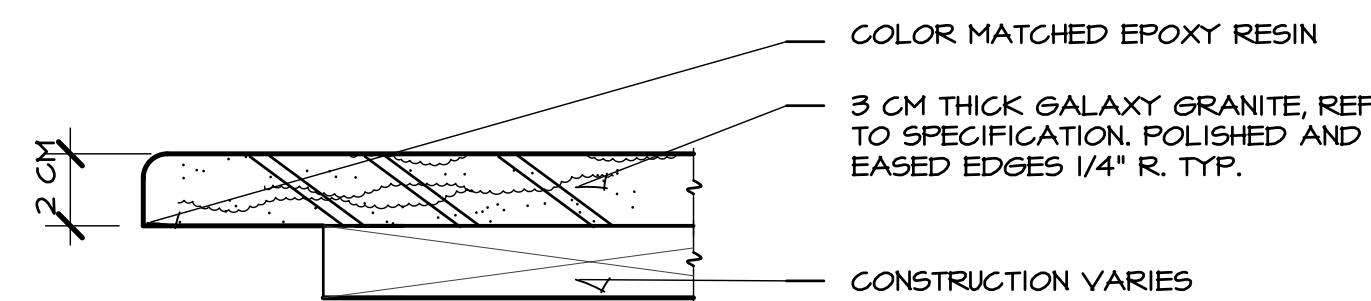
SECTION
C ENLARGED DTL COMPUTER STATION
SCALE 6" = 1'-0"



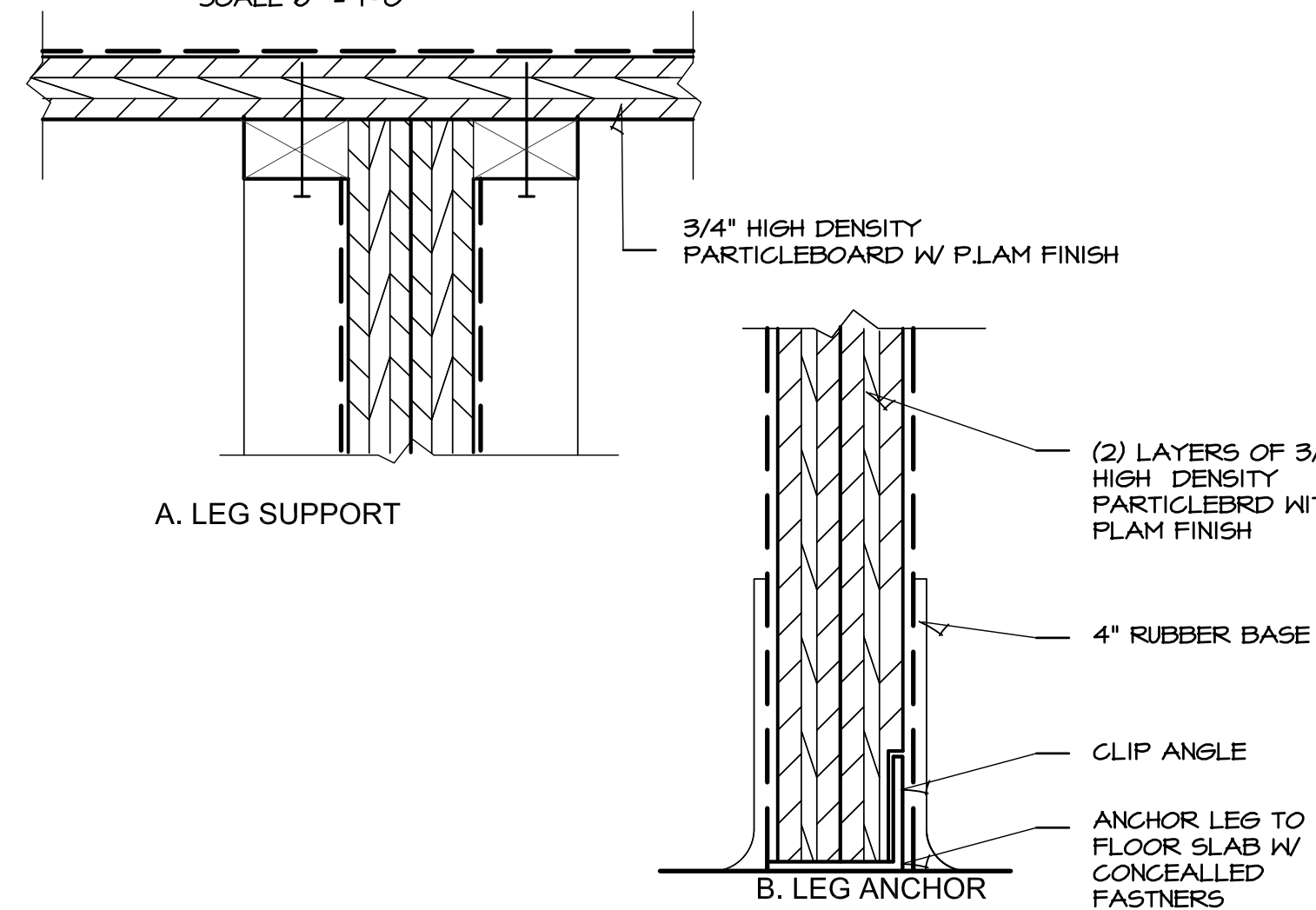
SECTION
E ENLARGED DTL HALF WALL CAP
SCALE 6" = 1'-0"



SECTION
F ENLARGED DTL LEG
SCALE 6" = 1'-0"

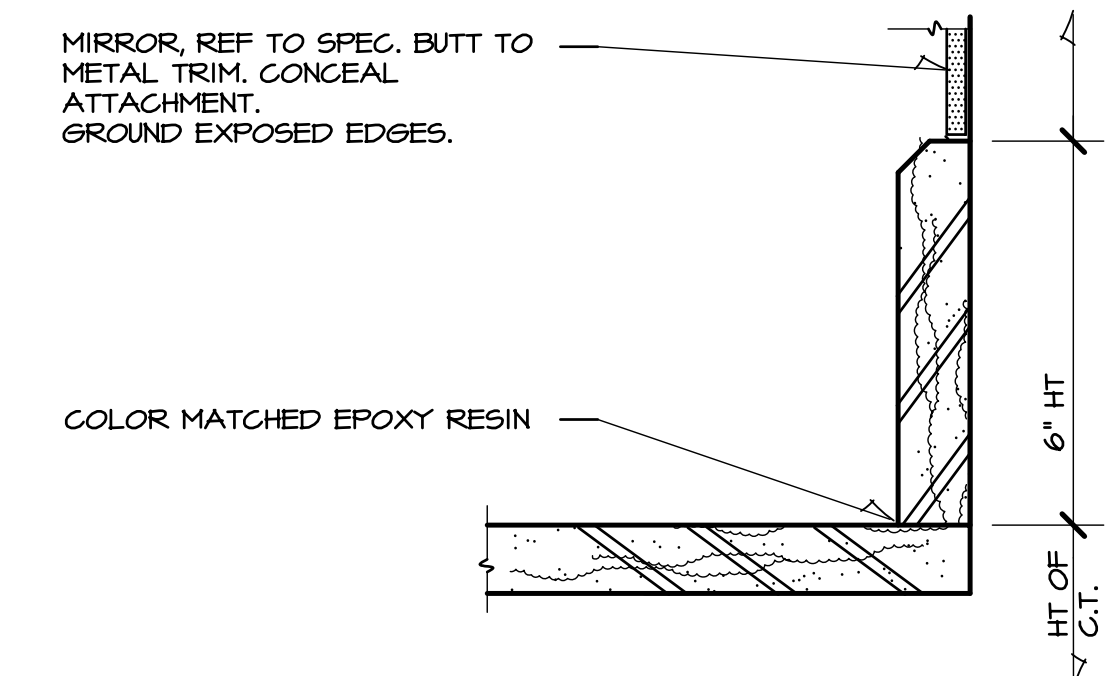


SECTION
G ENLARGED DTL GRANITE NOSING
SCALE 6" = 1'-0"

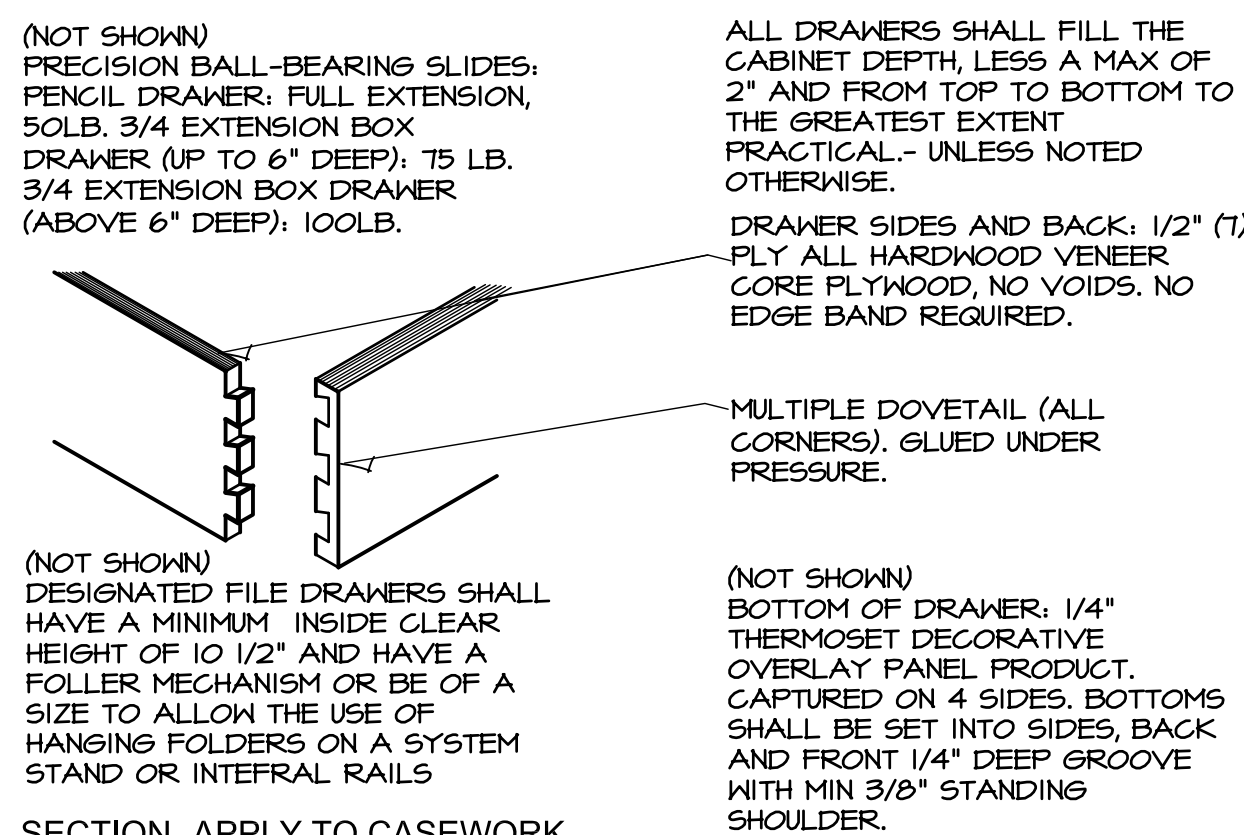


SECTION
H ENLARGED DTL LEG SUPPORT
SCALE 6" = 1'-0"

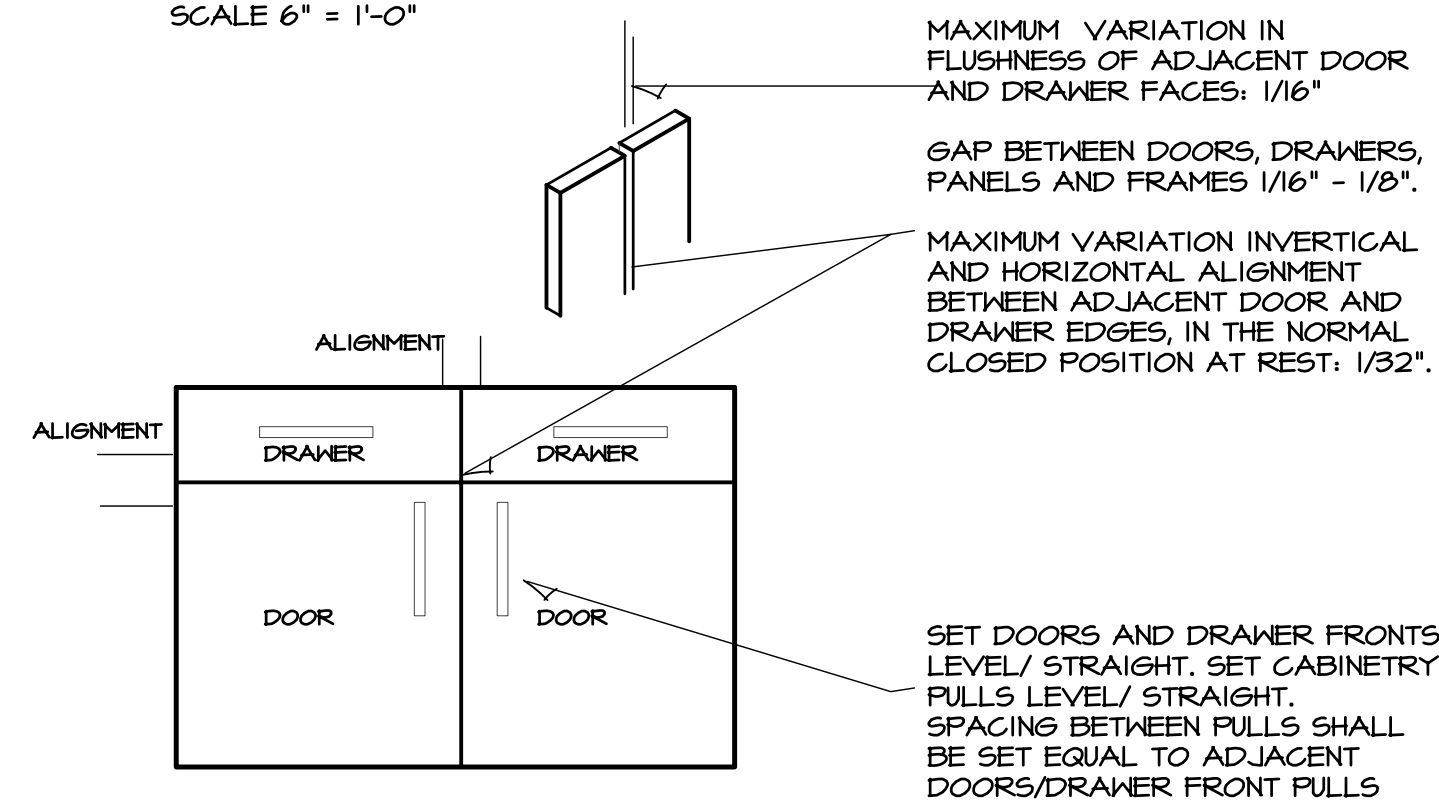
GENERAL NOTE: STONE CONTRACTOR RESPONSIBLE FOR FABRICATION, DELIVERY AND INSTALLATION. COORDINATE WITH MILLWORK CONTRACTOR AND FIELD VERIFY ELECTRICAL LOCATIONS.



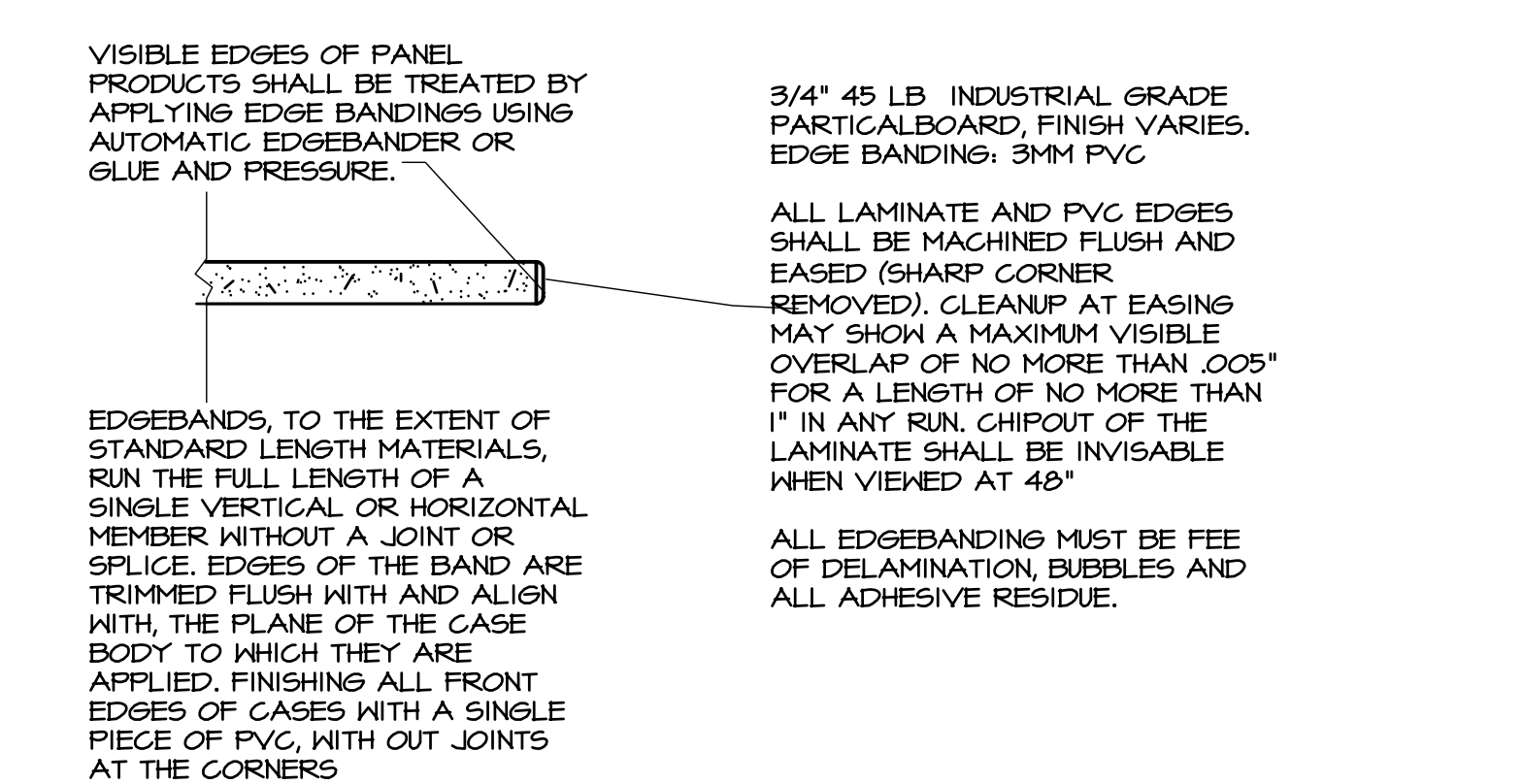
SECTION
I ENLARGED DTL BACK SPLASH
SCALE 6" = 1'-0"



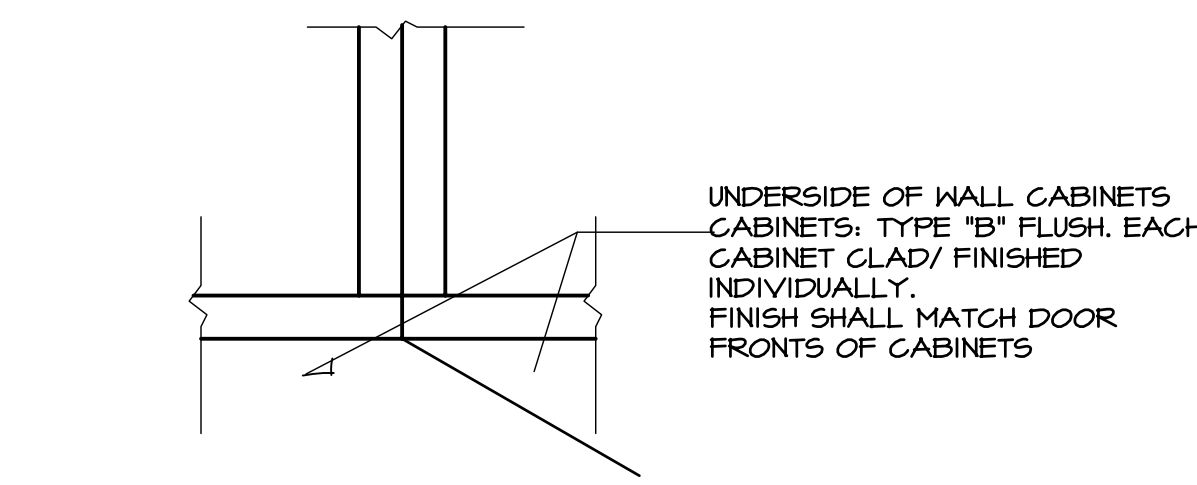
SECTION- APPLY TO CASEWORK
J ENLARGED DTL DRW CONSTRUCTION
NOT TO SCALE



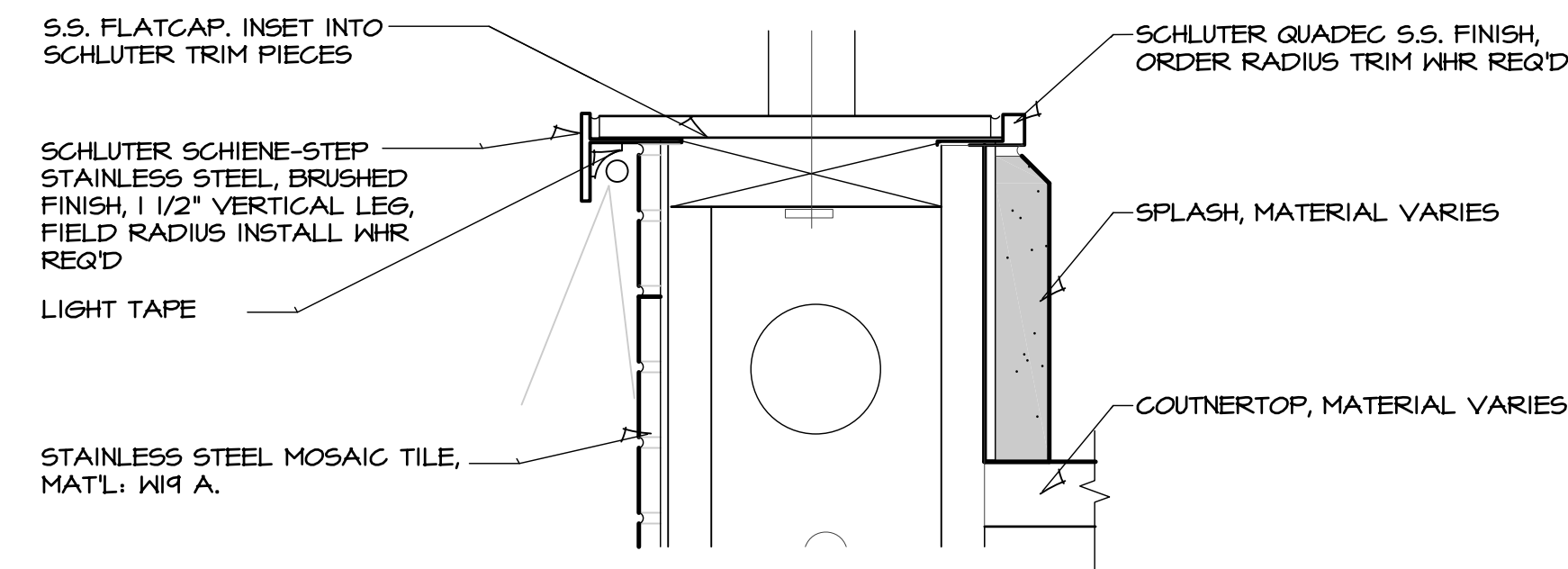
SECTION- APPLY TO CASEWORK
K ENLARGED DTL DOOR ALIGN
NOT TO SCALE



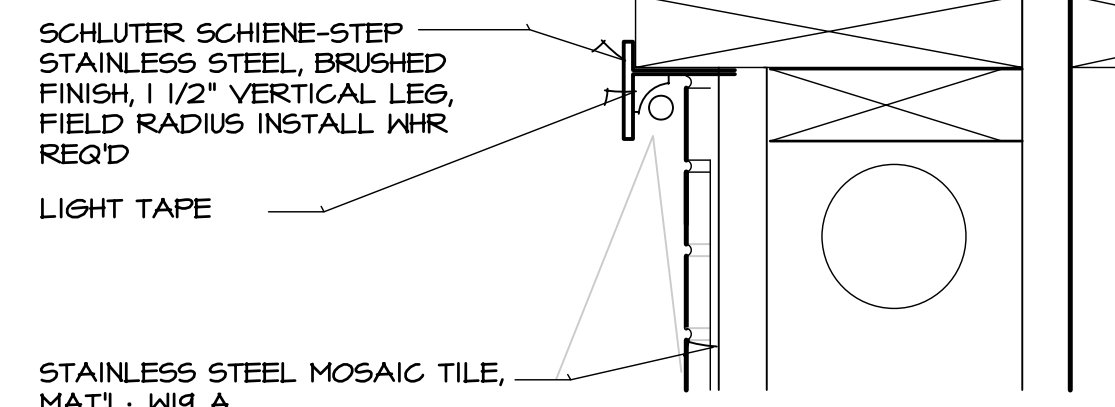
SECTION- APPLY TO CASEWORK
L ENLARGED DTL EDGE BANDING
NOT TO SCALE



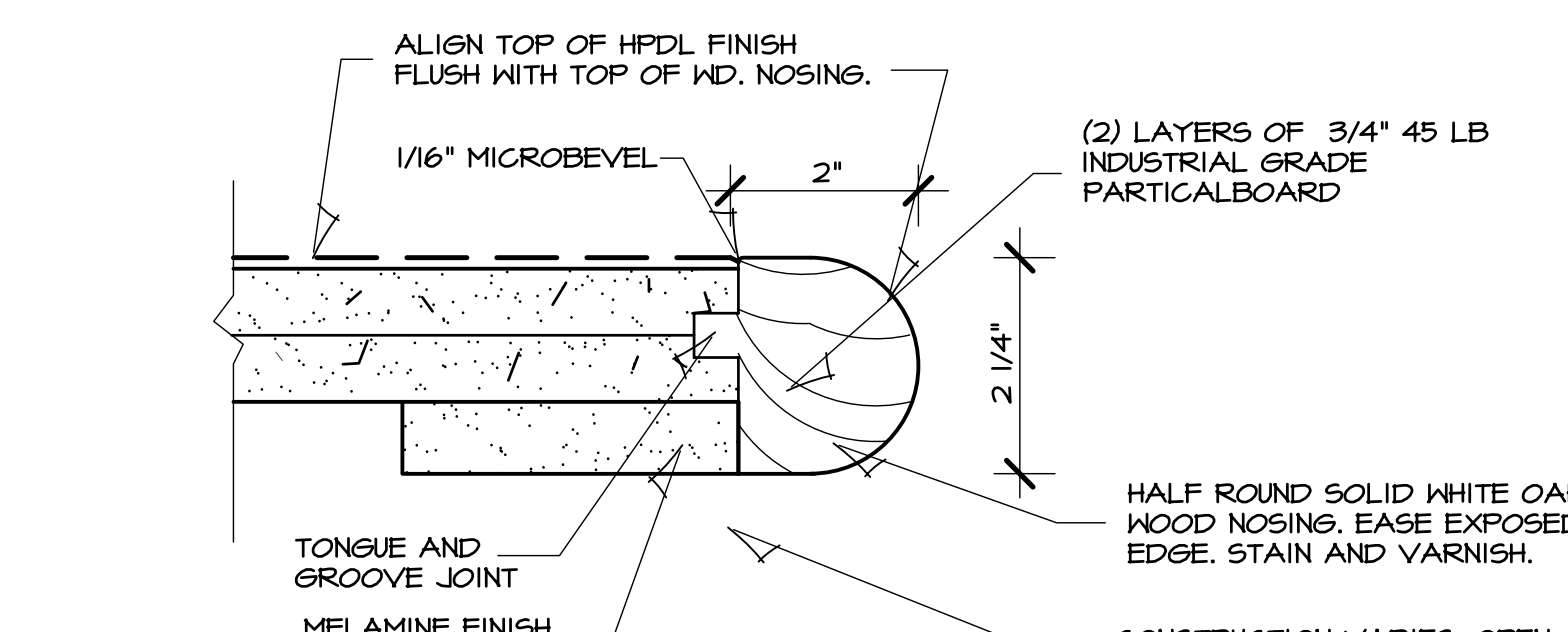
SECTION- APPLY TO CASEWORK
M ENLARGED DTL EDGE BANDING
NOT TO SCALE



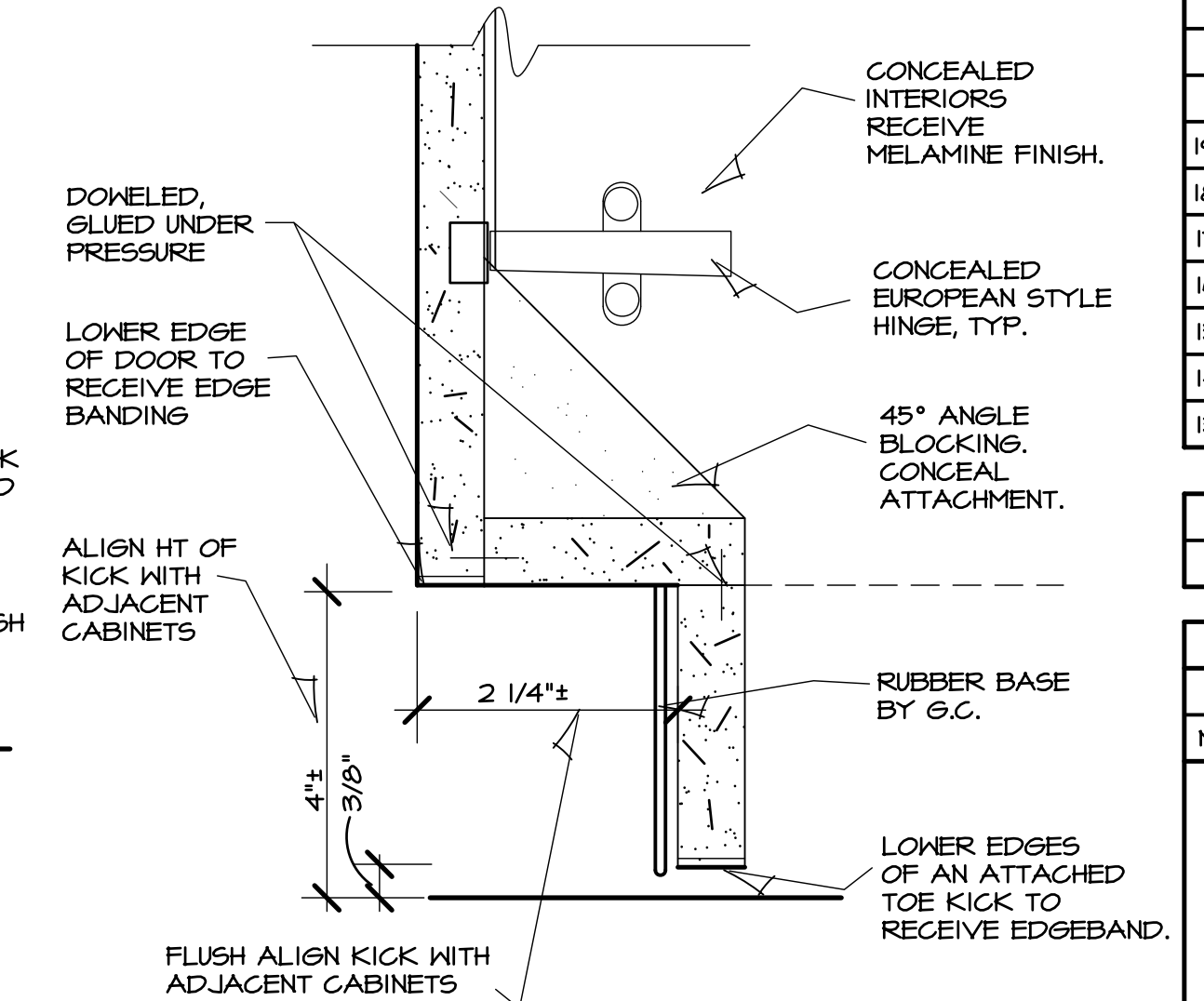
SECTION
N ENLARGED DTL
NOT TO SCALE



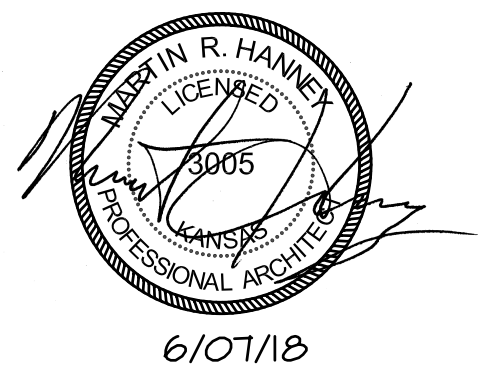
SECTION
P ENLARGED DTL
NOT TO SCALE



SECTION
Q COMPUTER NOSING
SCALE 6" = 1'-0"



SECTION
R TOE KICK DETAIL
SCALE 6" = 1'-0"



HANNETT & ASSOCIATES, ARCHITECTS
1726 South Hillside, Wichita, Kansas, 67211
Phone (316) 683-6965
Fax (316) 684-1441

2018
**GENESIS HEALTH CLUBS
OVERLAND PARK**
6700 W 110 Street, 66211



DRAWINGS ISSUED		
NO.	DATE	ITEM ISSUED
19	6/07/18	ADDENDUM #3
18	3/28/18	ADDENDUM #1
17	2/12/18	PERMIT
16	2/09/18	CHECK SET
15	2/02/18	CHECK SET
14	01/15/18	CHECK SET
13	01/08/18	CHECK SET

COMPUTER DRAWING
OP_A708.DWG

DATE: FEBRUARY 2018
DRAWN BY: CHECKED BY:
MH, CH, BS, TH MRH

SHEET
A7.8
OF SHEETS