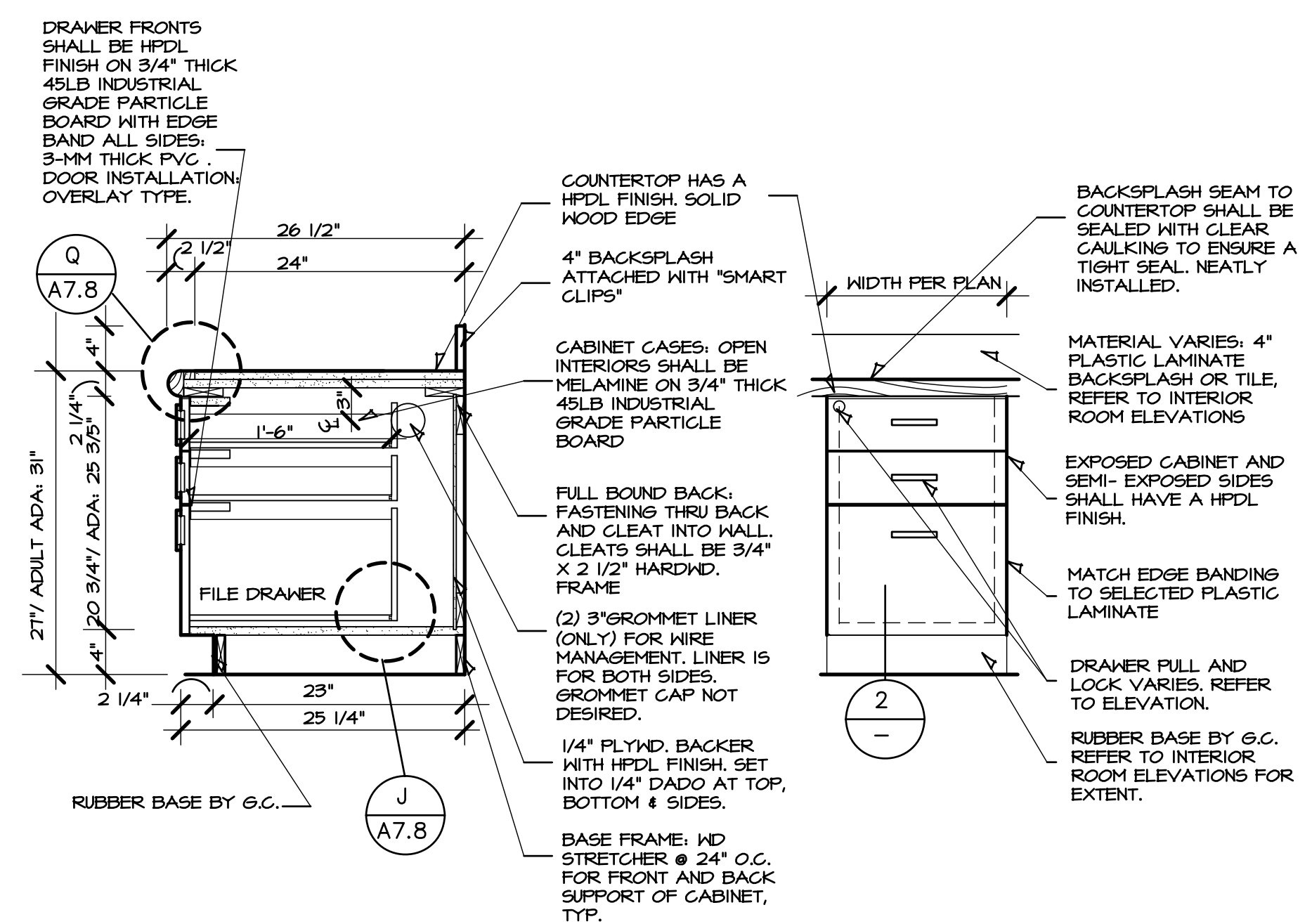
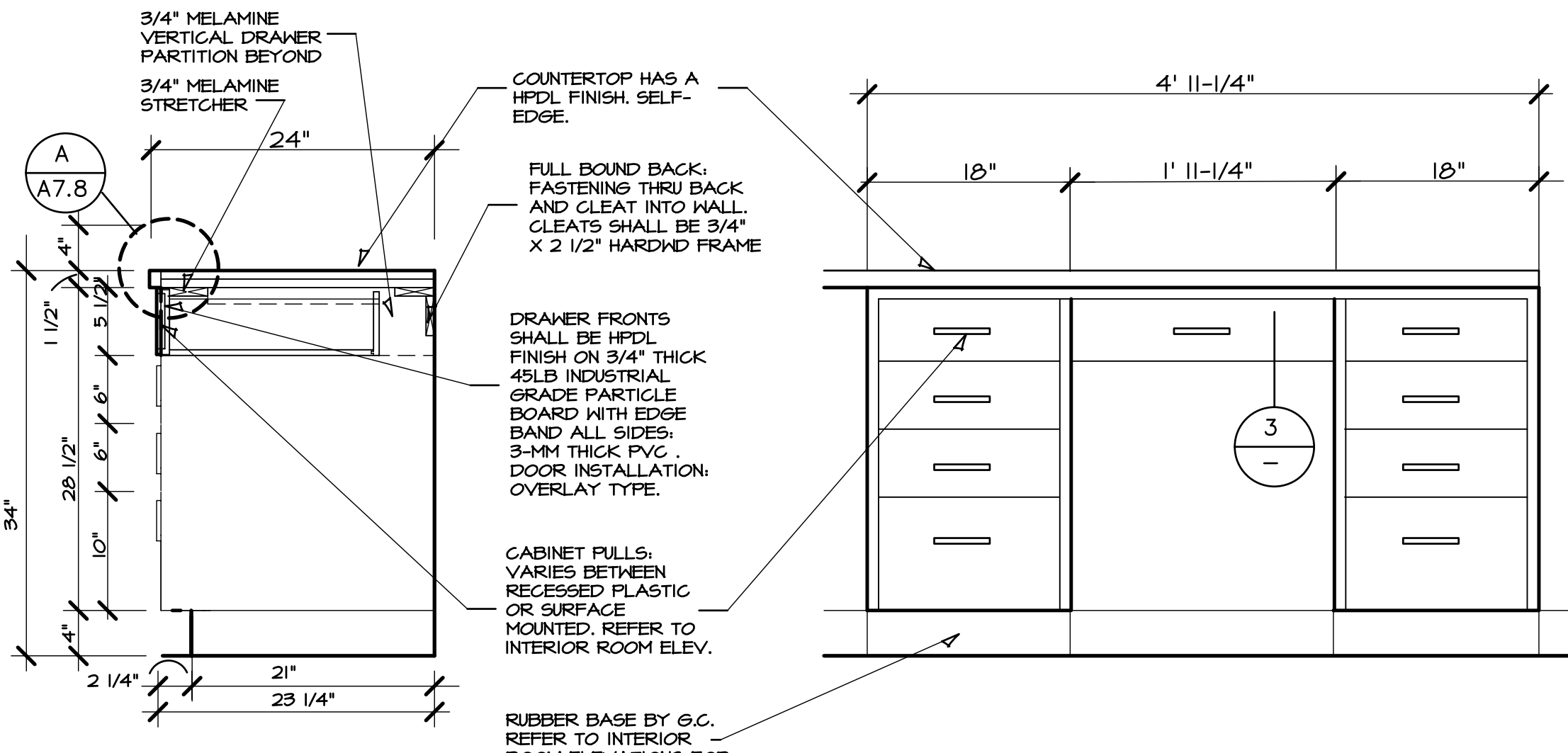


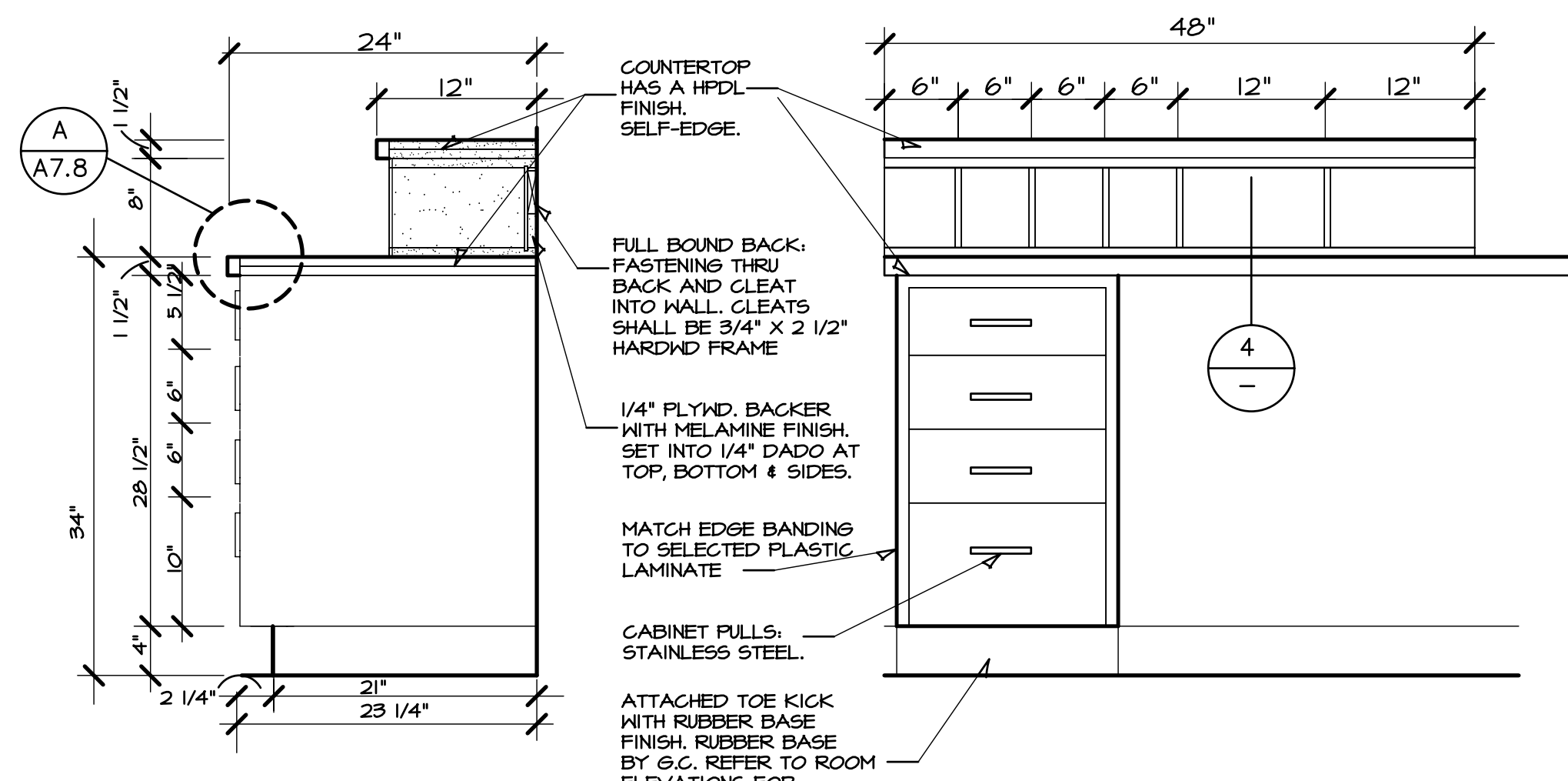
**1 FLAT STORAGE (FS)**  
SCALE 1" = 1'-0"



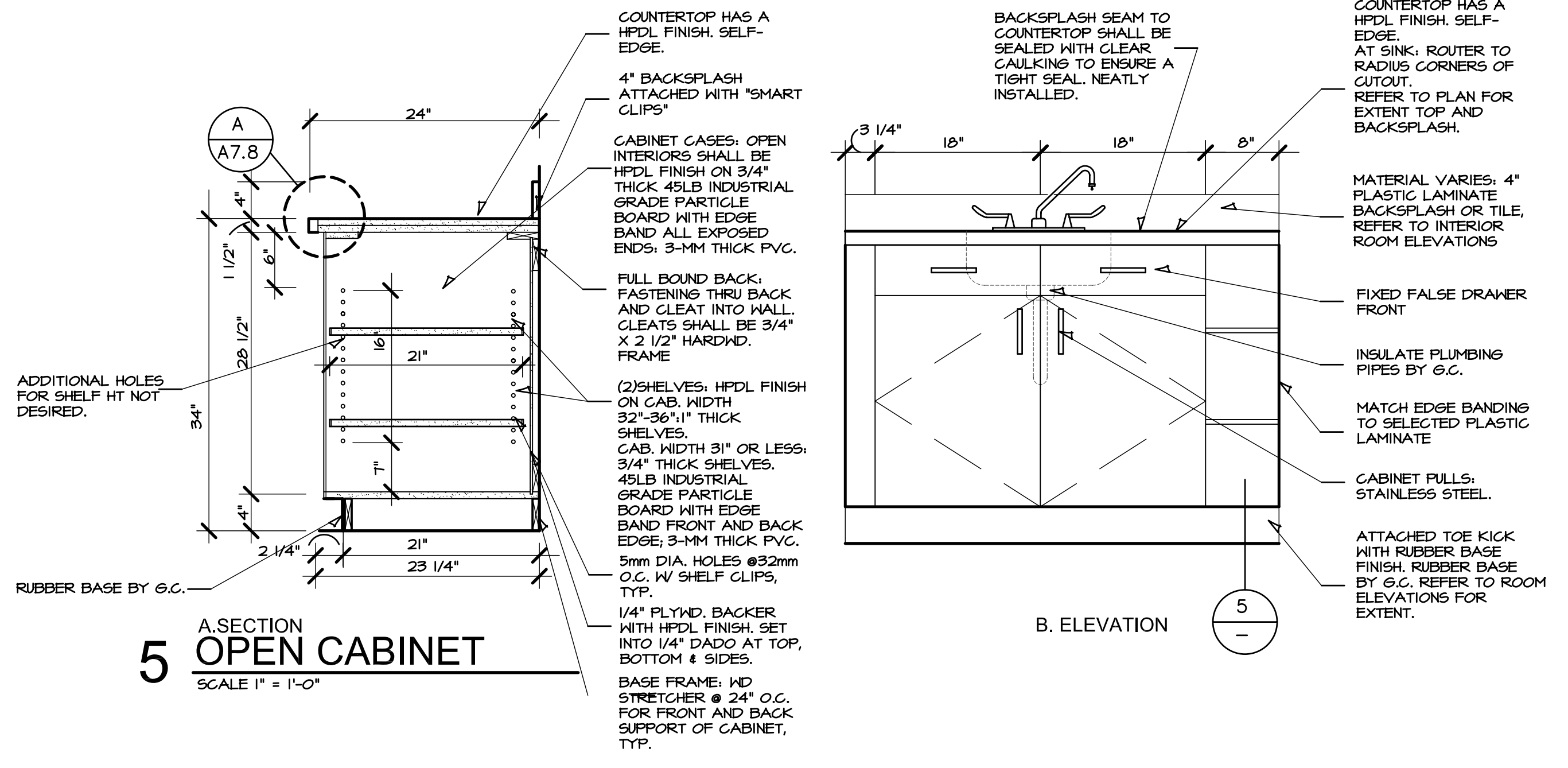
**2 DRAWER BASE**  
SCALE 1" = 1'-0"



**3 DESK DRAWER**  
SCALE 1" = 1'-0"



**4 OPEN CUBBIE**  
SCALE 1" = 1'-0"



**5 OPEN CABINET**  
SCALE 1" = 1'-0"

**DRAWINGS ISSUED**

NO.	DATE	ITEM	ISSUED
20	6/07/18	ADDENDUM #3	
19	5/23/18	PLAN REVIEW	
18	4/27/18	PLAN REVIEW	
17	2/12/18	PERMIT	
16	2/09/18	CHECK SET	
15	2/02/18	CHECK SET	
14	01/15/18	CHECK SET	
13	01/08/18	CHECK SET	

**COMPUTER DRAWING**

OP\_A710.dwg

**DATE: FEBRUARY 2018**

**DRAWN BY: CHECKED BY:**

MH, CH, BS, TH MRH