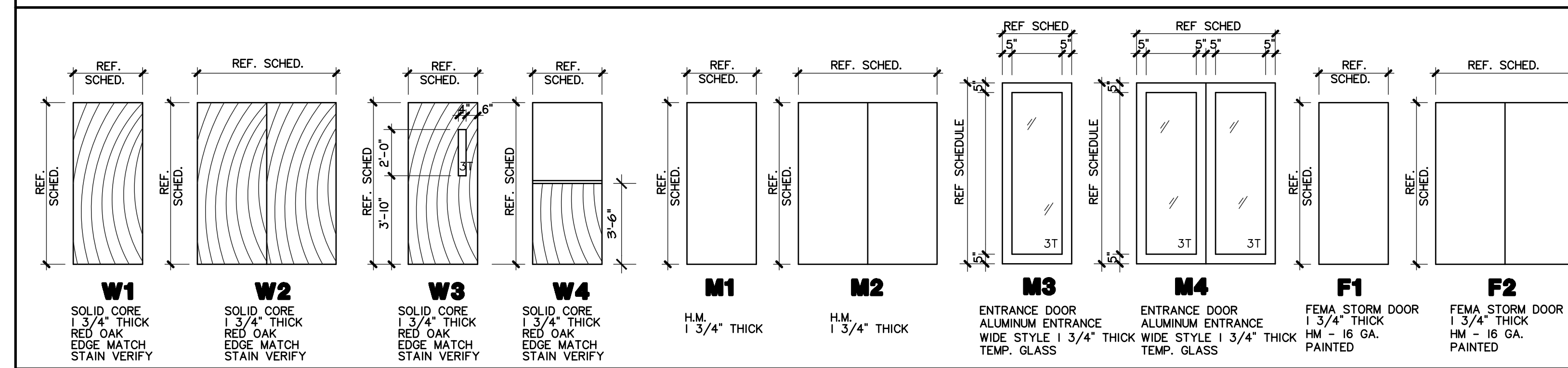
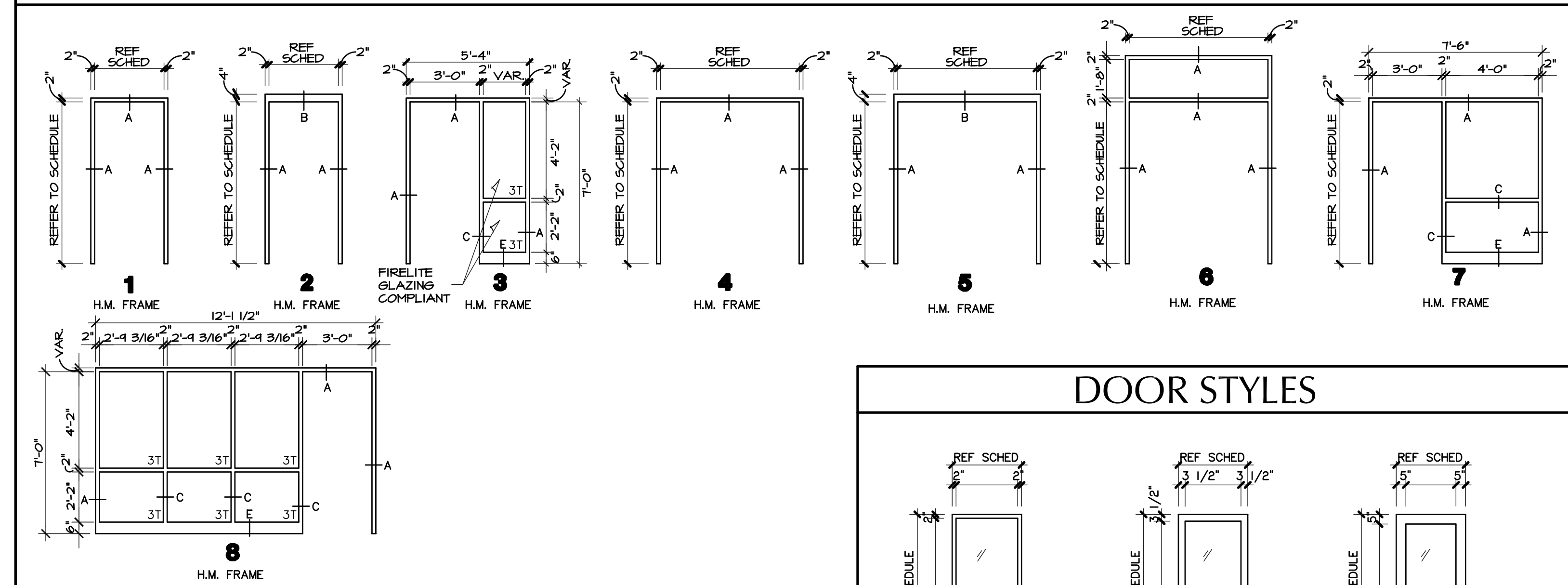


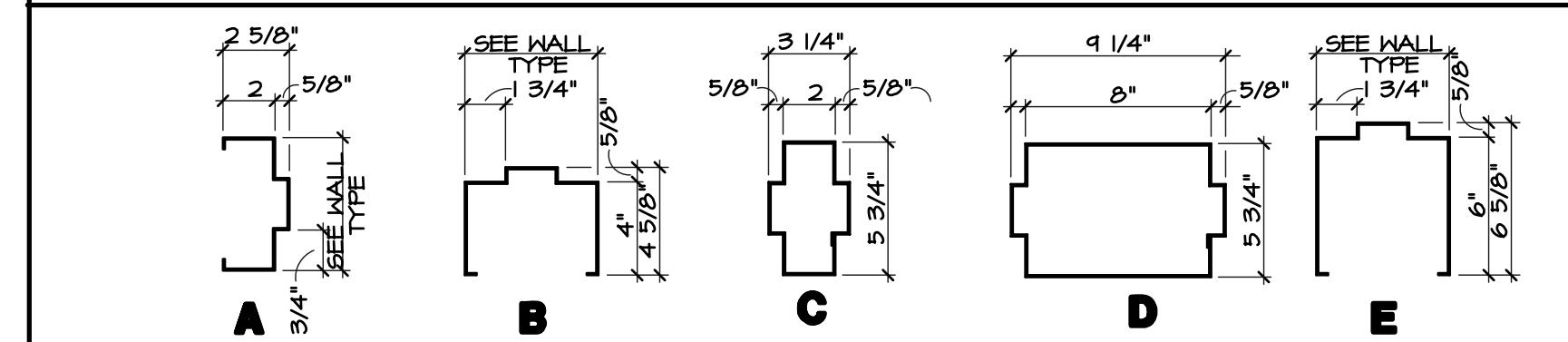
DOOR TYPES



H.M. FRAME TYPES

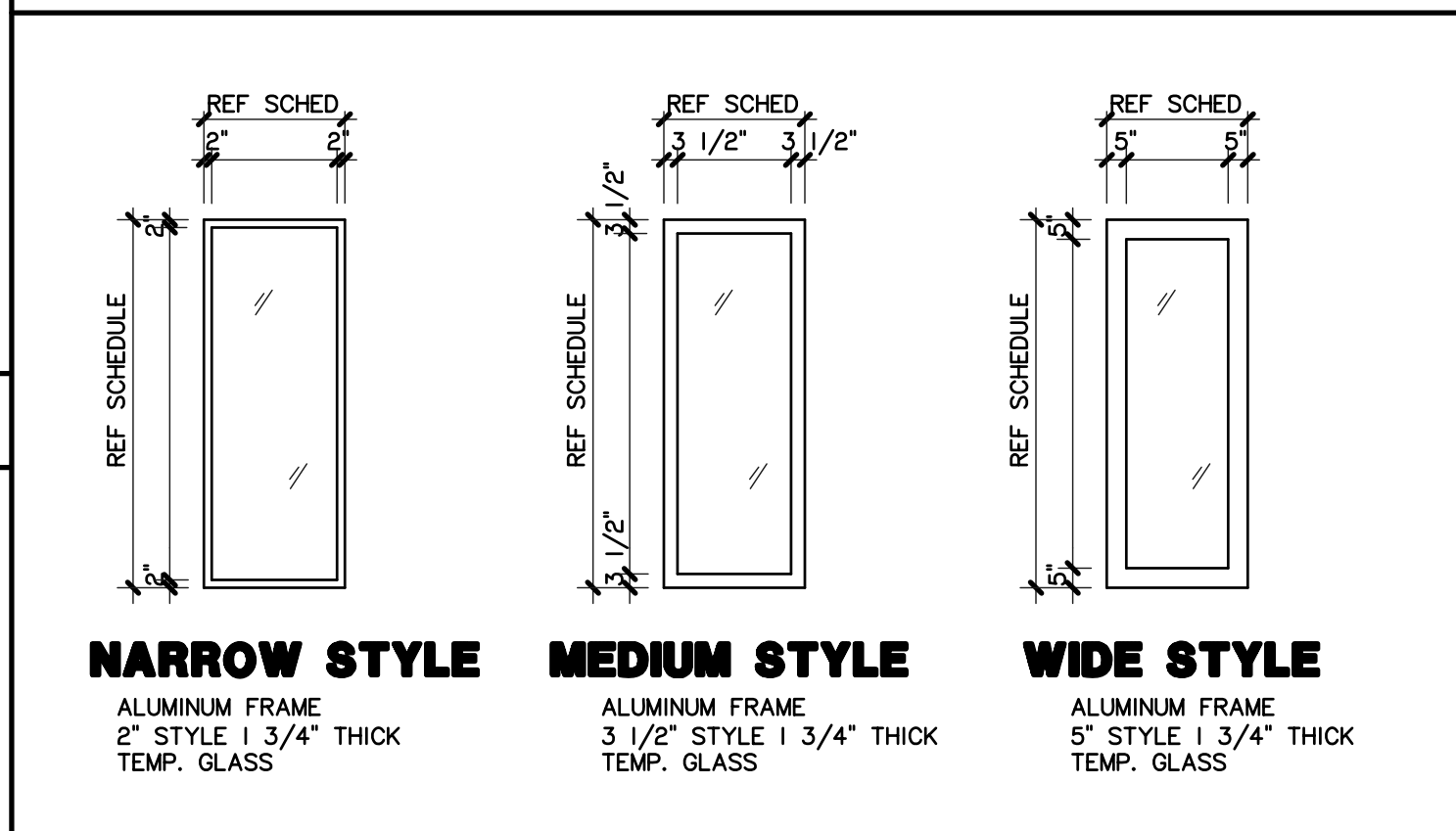


H.M. FRAME PROFILES



NOTE TO ELECTRICAL CONTRACTORS:
ELECTRICAL CONTRACTOR SHALL REVIEW THE HARDWARE SPECIFICATIONS AND PROVIDE WIRING AND CONNECTIONS AS REQUIRED FOR ELECTRICAL HARDWARE DEVICES (I.E. ELECTRICAL LOCKS, DOOR BELL, MAGNETIC HOLD OPENS, ETC.) THAT MAY NOT BE SHOWN ON THE ELECTRICAL DRAWINGS. THESE DEVICES WILL REQUIRE COORDINATION WITH THE FIRE ALARM SYSTEM.

DOOR STYLES



DOOR SCHEDULE

DOOR NO.	DOOR					FRAME			MAGNETIC HOLD OPENS	FIRE RATING (F.R.S.)	H.W. SET NO.	REMARKS	
	MATL.	TYPE	THK.	WIDTH	HEIGHT	MATL.	TYPE	DETAILS					
								HEAD	JAMB	SILL			
A100a	WD	WI	1-3/4"	3'-0"	T'-0"	H.M.	1	A/A3.4	A/A3.4	-	-	15	-
A101a	WD	WI	1-3/4"	3'-0"	T'-0"	H.M.	1	A/A3.4	A/A3.4	-	-	16	-
A102a	WD	WI	1-3/4"	3'-0"	T'-0"	H.M.	1	A/A3.4	A/A3.4	-	-	18	-
A103a	WD	WI	1-3/4"	3'-0"	T'-0"	H.M.	1	A/A3.4	A/A3.4	-	-	18	-
A104a	WD	WI	1-3/4"	3'-0"	T'-0"	H.M.	1	A/A3.4	A/A3.4	-	-	16	-
A105a	ALUM	M3	1-3/4"	3'-0"	T'-0"	ALUM	(G)	-	-	-	-	3	-
A105b	ALUM	M3	1-3/4"	15'-8"	4'-0"	ALUM	(F)	-	-	-	-	-	ALUMINUM SLIDING DOORS
A105c	ALUM	M3	1-3/4"	15'-8"	4'-0"	ALUM	(F)	-	-	-	-	-	ALUMINUM SLIDING DOORS
A105d	ALUM	M3	1-3/4"	15'-8"	4'-0"	ALUM	(F)	-	-	-	-	-	ALUMINUM SLIDING DOORS
A105e	ALUM	M3	1-3/4"	3'-0"	T'-0"	ALUM	(E)	-	-	-	-	-	-
A106a	HM	FI	1-3/4"	4'-0"	T'-0"	H.M.	1	4/A3.4	2/A3.4	3/A3.4	-	10	FEMA STORM DOOR 5/A3.4
A106b	HM	FI	1-3/4"	4'-0"	T'-0"	H.M.	1	A/A3.4	A/A3.4	-	-	60 MIN	12 FEMA STORM DOOR 5/A3.4
A106c	HM	FI	1-3/4"	6'-0"	T'-0"	H.M.	5	A/A3.4	A/A3.4	-	-	60 MIN	11 FEMA STORM DOOR 5/A3.4
A109a	HM	M2	1-3/4"	6'-0"	T'-0"	H.M.	5	4/A3.4	2/A3.4	3/A3.4	-	5	-
A111a	HM	M2	1-3/4"	6'-0"	T'-0"	H.M.	5	4/A3.4	2/A3.4	3/A3.4	-	5	-
A111b	WD	K2	1-3/4"	6'-0"	T'-0"	H.M.	5	A/A3.4	A/A3.4	-	-	60 MIN	7
A112a	WD	WI	1-3/4"	3'-0"	T'-0"	H.M.	2	A/A3.4	A/A3.4	-	-	60 MIN	14
A112b	STL	-	-	10'-0"	16'-0"	H.M.	-	-	-	-	-	60 MIN	OVERHEAD COILING DOOR
A113a	WD	WI	1-3/4"	3'-0"	T'-0"	H.M.	3	A/A3.4	A/A3.4	-	-	60 MIN	15
A115a	WD	WI	1-3/4"	3'-0"	T'-0"	H.M.	1	A/A3.4	A/A3.4	-	-	15	-
A116a	WD	W4	1-3/4"	3'-0"	T'-0"	H.M.	1	A/A3.4	A/A3.4	-	-	21	DUTCH DOOR
A117a	WD	K2	1-3/4"	6'-0"	T'-0"	H.M.	5	A/A3.4	A/A3.4	-	-	90 MIN	7
A117b	WD	K2	1-3/4"	6'-0"	T'-0"	H.M.	5	A/A3.4	A/A3.4	-	-	90 MIN	7
A118a	WD	K2	1-3/4"	6'-0"	T'-0"	H.M.	4	A/A3.4	A/A3.4	-	-	60 MIN	13
A119a	WD	K2	1-3/4"	6'-0"	T'-0"	H.M.	5	A/A3.4	A/A3.4	-	-	8	-
A119b	WD	K2	1-3/4"	6'-0"	T'-0"	H.M.	5	A/A3.4	A/A3.4	-	-	90 MIN	-
A119c	WD	K2	1-3/4"	6'-0"	T'-0"	H.M.	5	A/A3.4	A/A3.4	-	-	90 MIN	7
A119d	WD	K2	1-3/4"	6'-0"	T'-0"	H.M.	5	A/A3.4	A/A3.4	-	-	90 MIN	8
A120a	WD	K2	1-3/4"	6'-0"	T'-0"	H.M.	4	A/A3.4	A/A3.4	-	-	13	-
A121a	WD	K2	1-3/4"	6'-0"	T'-0"	H.M.	5	A/A3.4	A/A3.4	-	-	8	-
A121b	WD	K2	1-3/4"	6'-0"	T'-0"	H.M.	5	A/A3.4	A/A3.4	-	-	90 MIN	7
A121c	WD	K2	1-3/4"	6'-0"	T'-0"	H.M.	5	A/A3.4	A/A3.4	-	-	90 MIN	7
A121d	WD	K2	1-3/4"	6'-0"	T'-0"	H.M.	5	A/A3.4	A/A3.4	-	-	90 MIN	8
A122a	ALUM	M4	1-3/4"	6'-0"	T'-0"	ALUM	(B)	4/A3.4	2/A3.4	3/A3.4	-	1	-
A122b	ALUM	M4	1-3/4"	6'-0"	T'-0"	ALUM	(B)	4/A3.4	2/A3.4	3/A3.4	-	1	-
A123a	ALUM	M4	1-3/4"	6'-0"	T'-0"	ALUM	(A)	-	-	-	-	2	-
A123b	ALUM	M4	1-3/4"	6'-0"	T'-0"	ALUM	(A)	-	-	-	-	2	-
A124a	ALUM	M4	1-3/4"	6'-0"	T'-0"	ALUM	(H)	4/A3.4	2/A3.4	3/A3.4	-	4	-
A124b	ALUM	M4	1-3/4"	6'-0"	T'-0"	ALUM	(H)	4/A3.4	2/A3.4	3/A3.4	-	90 MIN	4
A125a	WD	K2	1-3/4"	6'-0"	T'-0"	H.M.	5	A/A3.4	A/A3.4	-	-	90 MIN	-
A200a	WD	K2	1-3/4"	6'-0"	T'-0"	H.M.	5	A/A3.4	A/A3.4	-	-	16	-
A201a	WD	WI	1-3/4"	3'-0"	T'-0"	H.M.	1	A/A3.4	A/A3.4	-	-	16	-
A202a	HM	FI	1-3/4"	4'-0"	T'-0"	H.M.	1	A/A3.4	A/A3.4	-	-	60 MIN	12 FEMA STORM DOOR 5/A3.4
A203a	WD	WI	1-3/4"	3'-0"	T'-0"	H.M.	1	A/A3.4	A/A3.4	-	-	17	-
A204a	WD	WI	1-3/4"	3'-0"	T'-0"	H.M.	1	A/A3.4	A/A3.4	-	-	16	-
A205a	-	-	-	-	-	-	-	-	-	-	-	-	BY OTHERS
A206a	-	-	-	-	-	-	-	-	-	-	-	-	BY OTHERS
A207a	WD	WI	1-3/4"	3'-0"	T'-0"	H.M.	1	A/A3.4	A/A3.4	-	-	16	-
A208a	WD	WI	1-3/4"	3'-0"	T'-0"	H.M.	1	A/A3.4	A/A3.4	-	-	16	-
A209a	WD	K2	1-3/4"	6'-0"	T'-0"	H.M.	4	A/A3.4	A/A3.4	-	-	90 MIN	7
A209b	WD	K2	1-3/4"	6'-0"	T'-0"	H.M.	1	A/A3.4	A/A3.4	-	-	17	-
A210a	MTL	-	-	3'-0"	T'-0"	-	-	-	-	-	-	-	CHAIN LINK DOOR
A210b	WD	WI	1-3/4"	3'-0"	T'-0"	H.M.	1	A/A3.4	A/A3.4	-	-	16	-
A210c	WD	WI	1-3/4"	3'-0"	T'-0"	H.M.	1	A/A3.4	A/A3.4	-	-	60 MIN	20
A210d	WD	WI	1-3/4"	3'-0"	T'-0"	H.M.	1	A/A3.4	A/A3.4	-	-	60 MIN	20



HANNEY & ASSOCIATES, ARCHITECTS
1726 South Hillside, Wichita, Kansas, 67211
Phone (316) 683-8965
Fax (316) 684-1441
www.hanneyarchitects.com

2009
 ANDALE HIGH SCHOOL
 ANDALE, KANSAS
 RENWICK UNIFIED SCHOOL DISTRICT 267

DRAWINGS ISSUED		
NO.	DATE	ITEM ISSUED
5	2/28	ISSUED FOR BIDS
4	2/24	REVIEW
3	2/12	REVIEW
2	2/05	REVIEW
1	1/30	REVIEW

COMPUTER DRAWING
267A304.DWG

DATE: FEBRUARY 2009
DRAWN BY: JP, TH, SF, BS
CHECKED BY: MH

SHEET
A3.4
OF SHEETS

1 DOOR JAMB
N.T.S.

2 DOOR JAMB
N.T.S.

3 THRESHOLD
SCALE: 1/2" = 1'-0"

4 DRIP CAP
SCALE: 1/2" = 1'-0"

5 FEMA DOOR HEAD/JAMB
SCALE: 1/2" = 1'-0"

