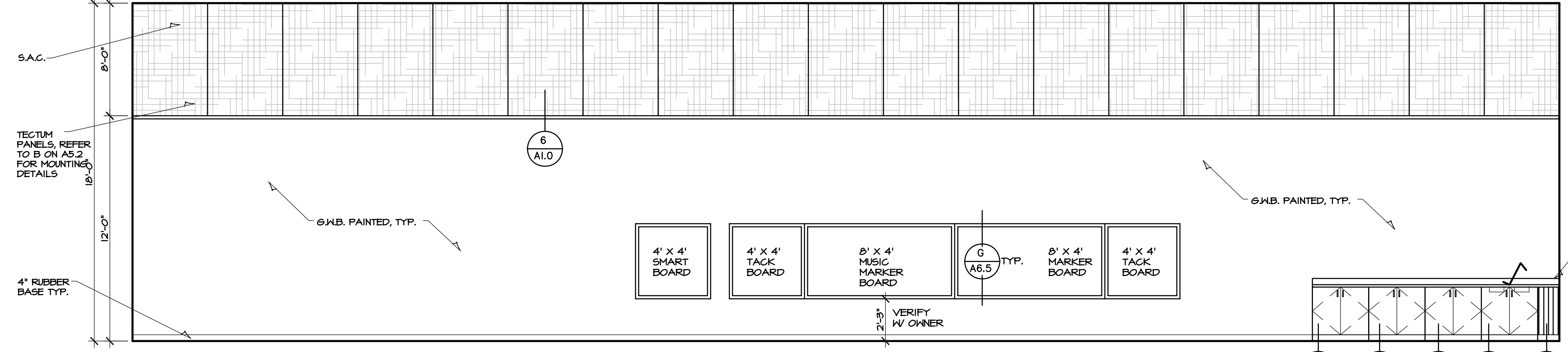
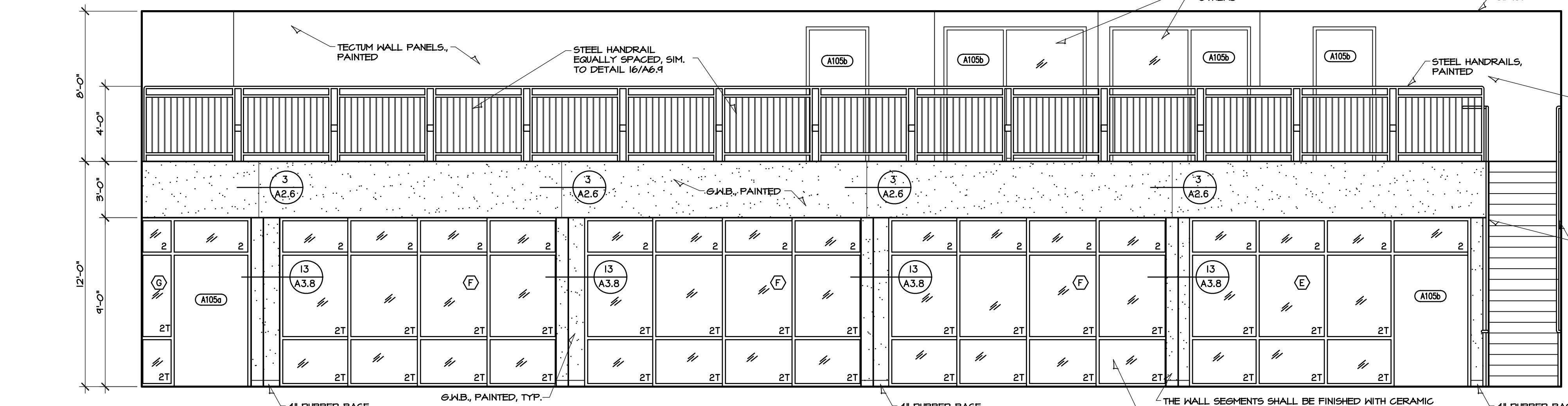




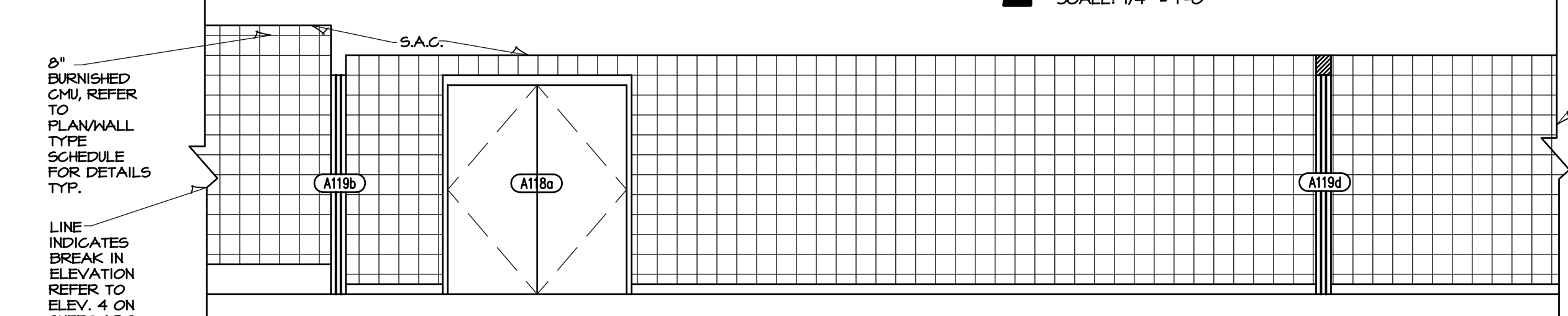
HANNEY & ASSOCIATES, ARCHITECTS
 1726 South Hillside, Wichita, Kansas, 67211
 Phone (316) 683-8965
 Fax (316) 684-1441
 www.hanneyarchitects.com



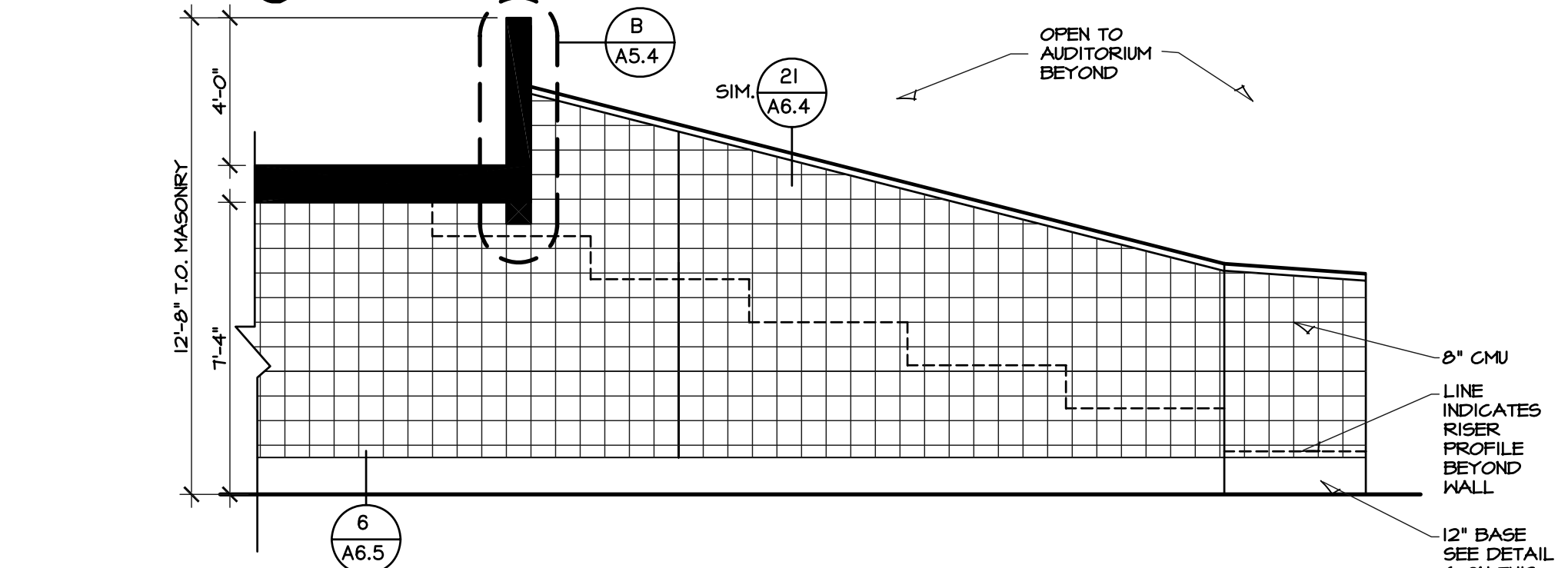
1 AI05 BAND ROOM ELEVATION
 SCALE: 1/4" = 1'-0"



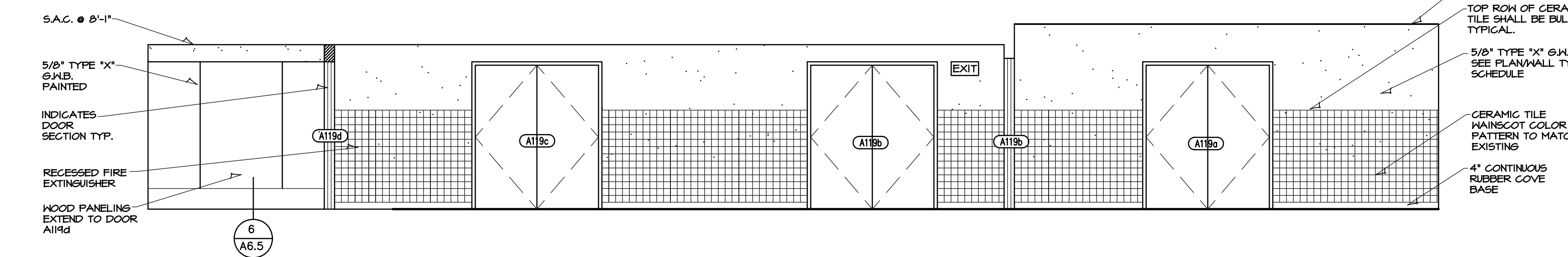
2 AI05 BAND ROOM ELEVATION
 SCALE: 1/4" = 1'-0"



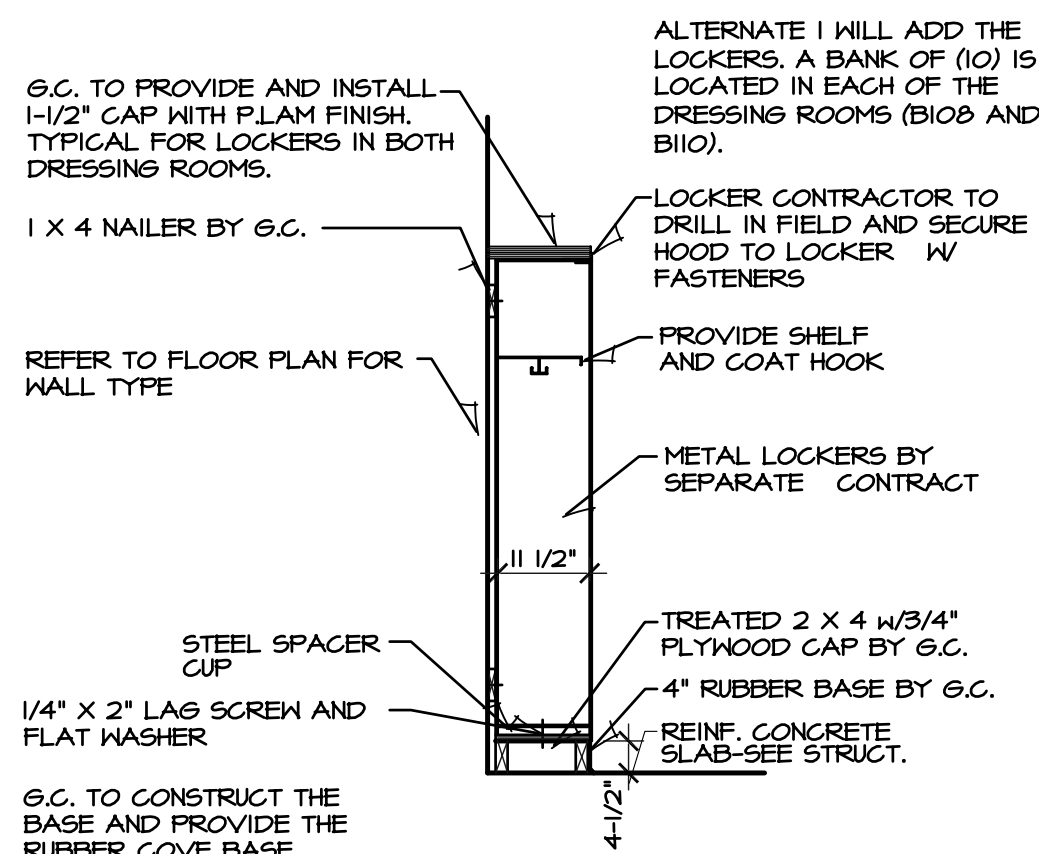
3 NORTH HALL ELEVATION
 SCALE: 1/4" = 1'-0"



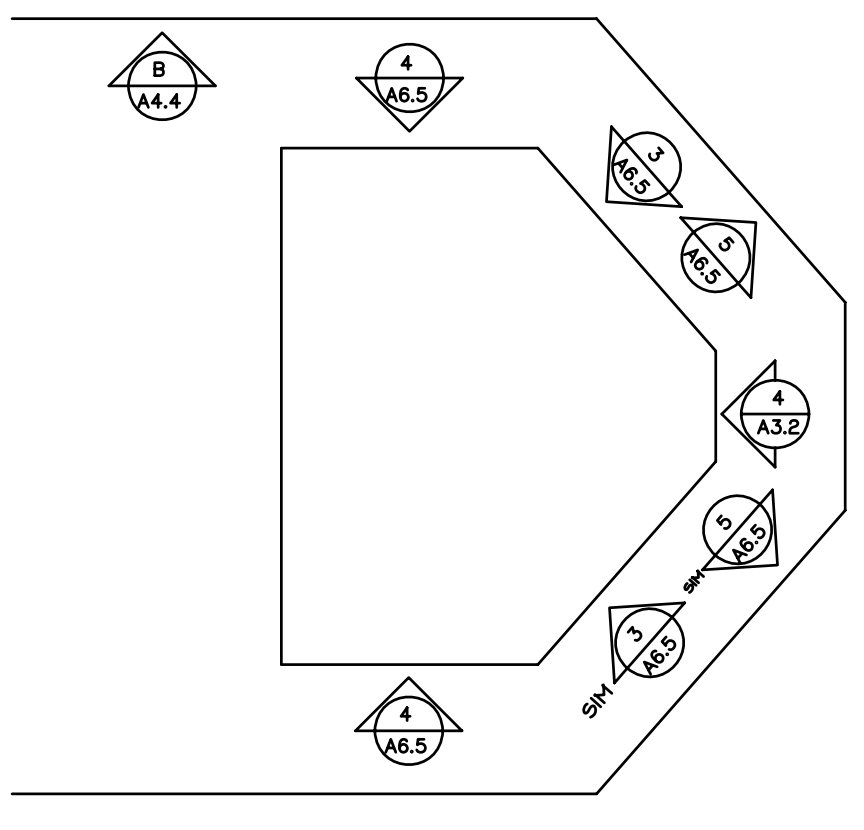
4 NORTH VOMITORY ELEVATION
 SCALE: 1/4" = 1'-0"



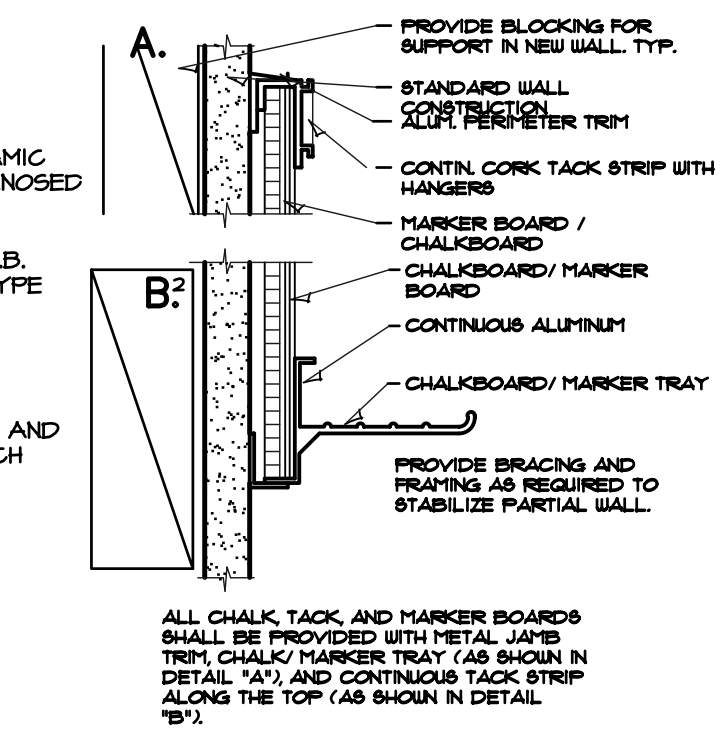
5 WALL DETAIL
 SCALE: 1/4" = 1'-0"



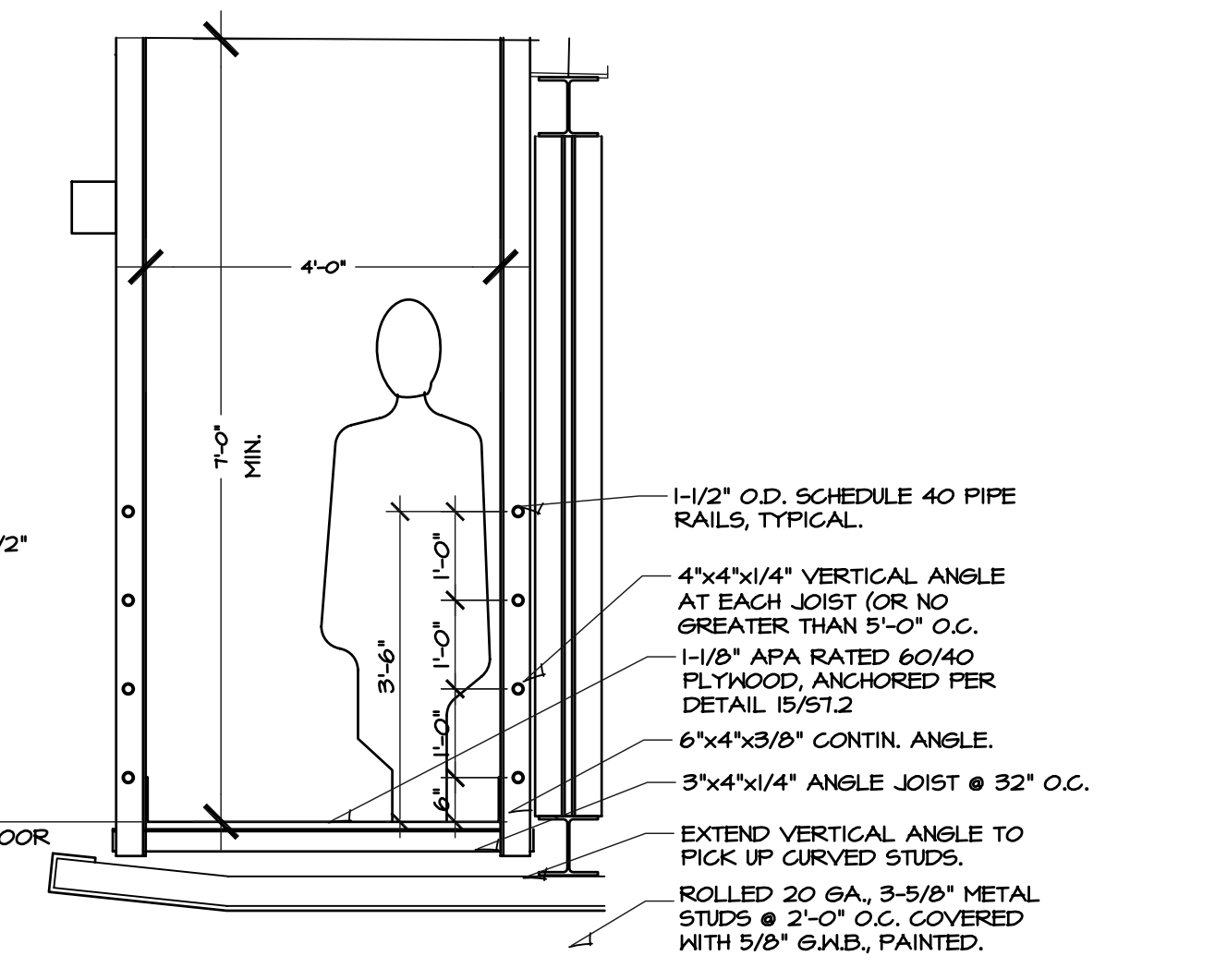
6 HALL LOCKER
 SCALE: 1/2" = 1'-0"



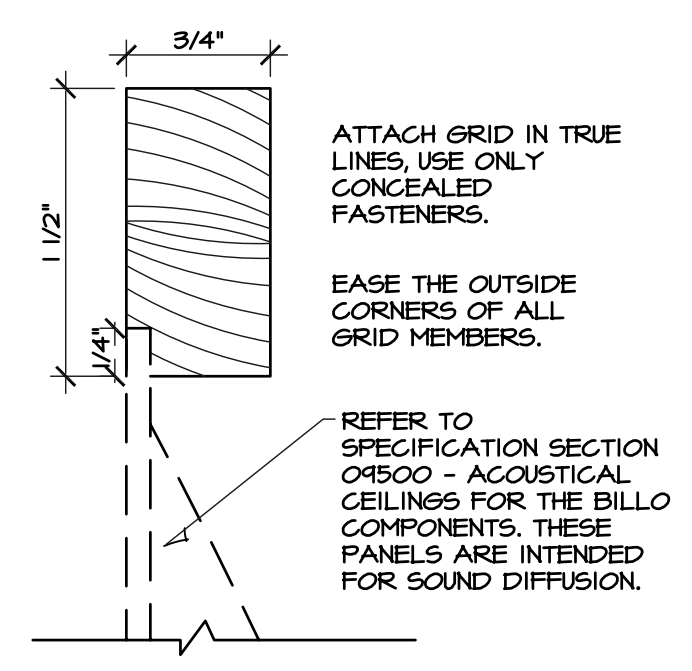
F AUDITORIUM DIAGRAM
 SCALE: N.T.S.



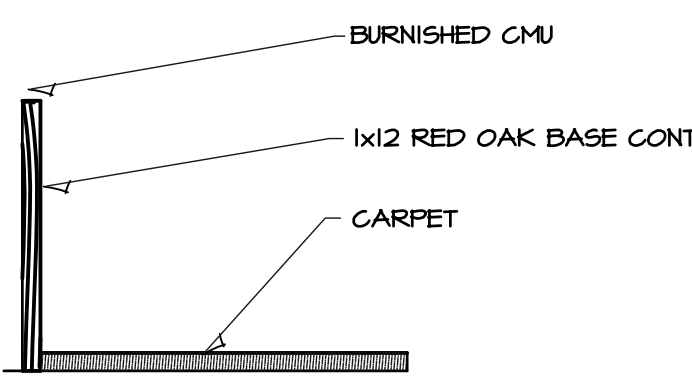
G MB/CB DTL.
 NOT TO SCALE



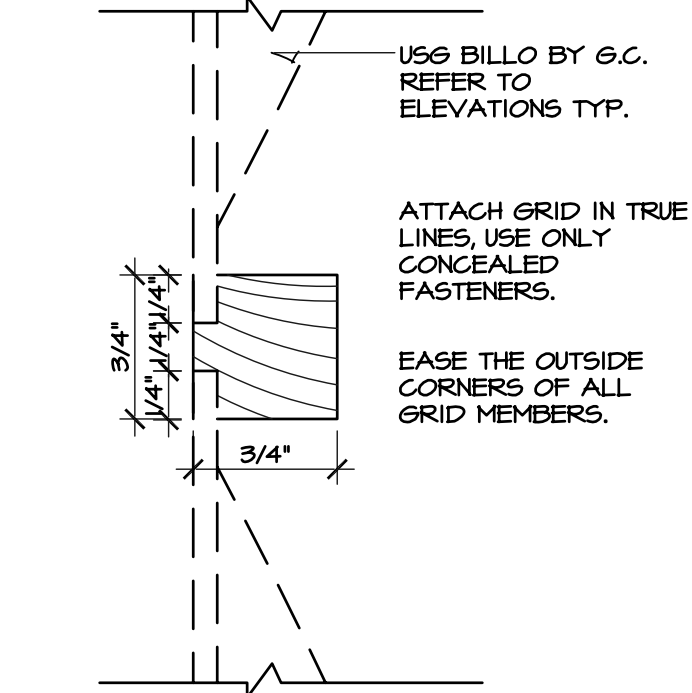
6 CATWALK DETAIL
 SCALE: 1-1/2" = 1'-0"



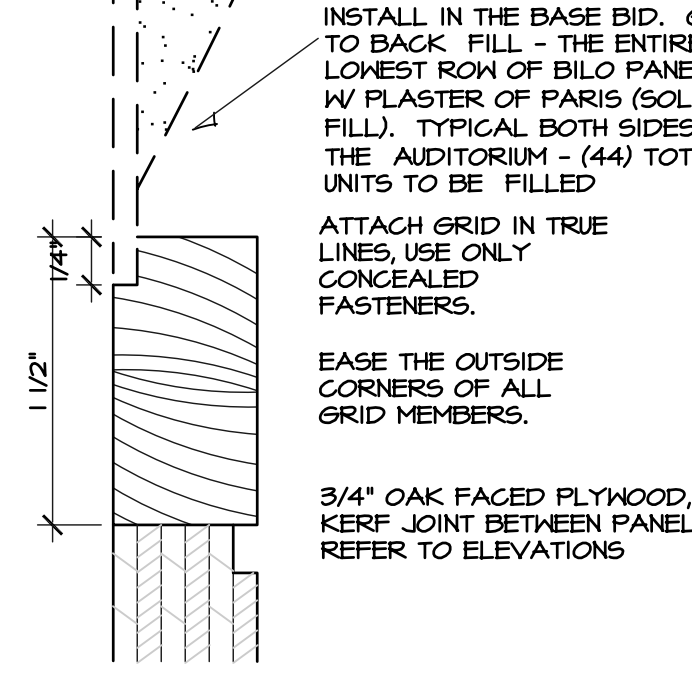
A GRID DETAIL
 SCALE: FULL



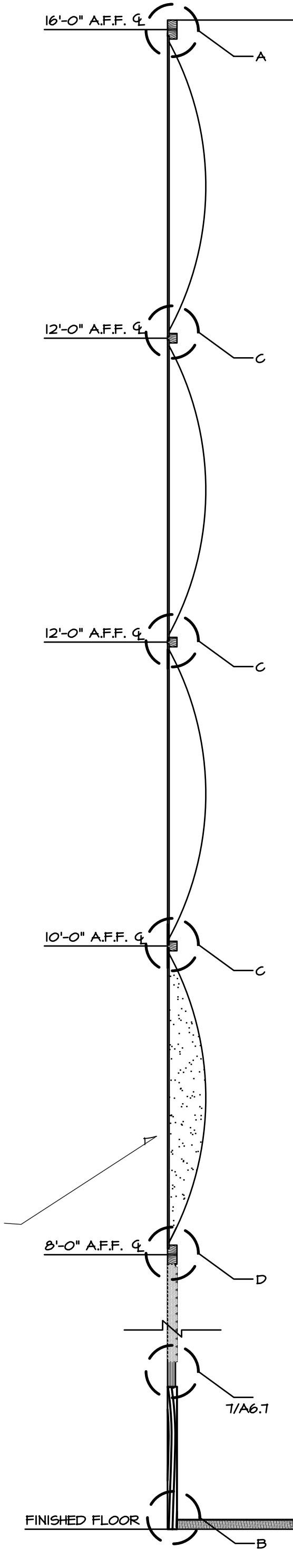
B WALL DETAIL
 SCALE: 1-1/2" = 1'-0"



C GRID DETAIL
 SCALE: FULL



D GRID DETAIL
 SCALE: FULL



7 CATWALK DETAIL
 SCALE: 1-1/2" = 1'-0"

2009
 ANDALE HIGH SCHOOL
 ANDALE, KANSAS
 RENWICK UNIFIED SCHOOL DISTRICT 267

DRAWINGS ISSUED		
NO.	DATE	ITEM ISSUED
6	3/24	ADDENDUM 4
5	2/28	ISSUED FOR BIDS
4	2/24	REVIEW
3	2/12	REVIEW
2	2/05	REVIEW
1	1/30	REVIEW

COMPUTER DRAWING
 26708CA62.DWG

DATE: FEBRUARY 2009
 DRAWN BY: JP, TH, SF, BS
 CHECKED BY: MH

SHEET
A6.5
 OF SHEETS