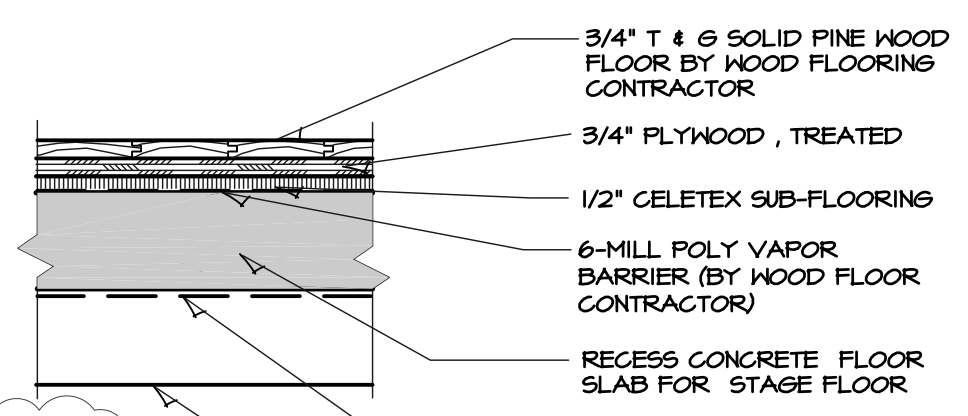
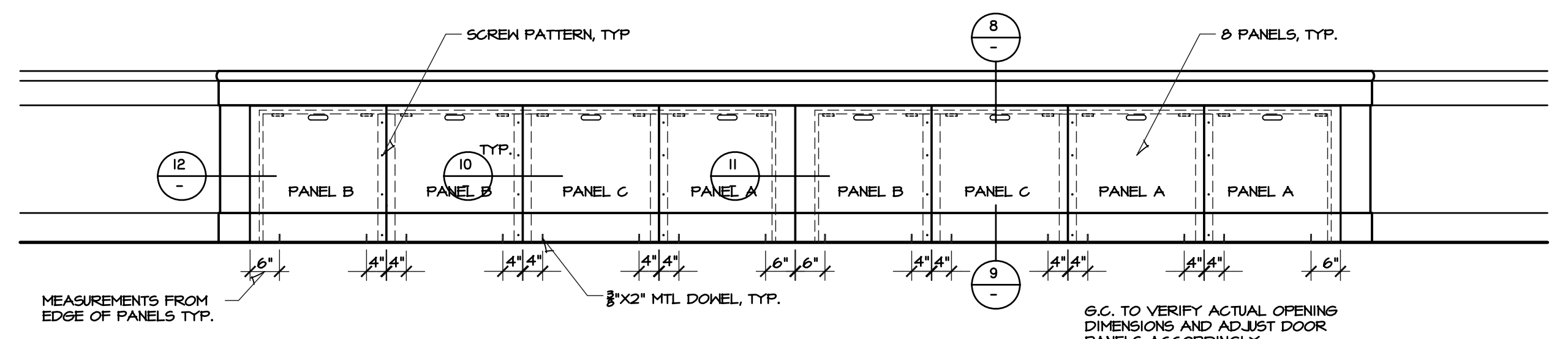


1 SECTION AT RISER
 SCALE: 3/4" = 1'-0"

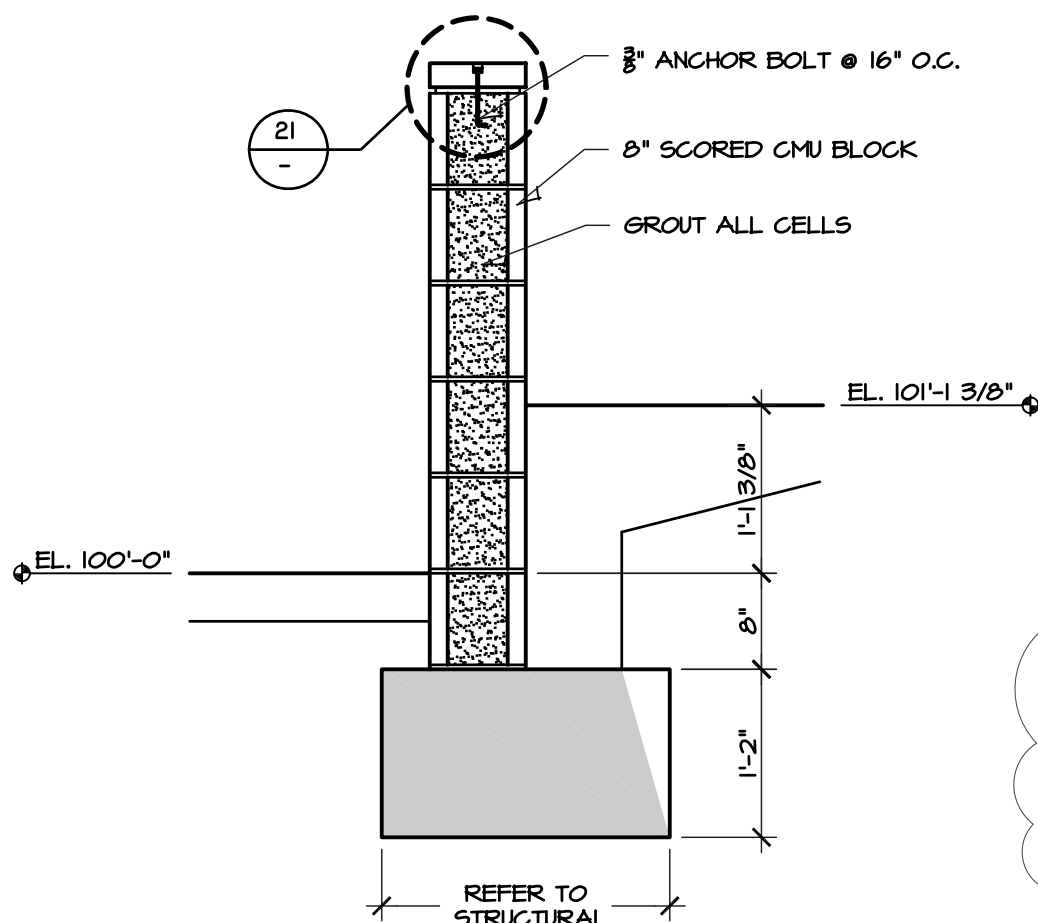
ALL THE RISERS ARE TO BE EQUALLY DIVIDED BETWEEN THE MAIN FLOOR AND THE SECOND FLOOR ELEVATION. ADJUST THE ACTUAL DIMENSIONS ACCORDINGLY.



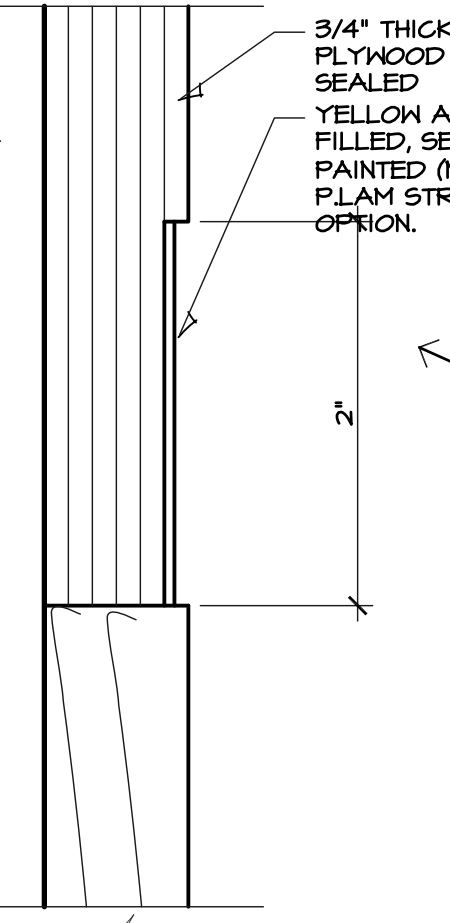
6 STAGE FLOOR
 SCALE: 1 1/2" = 1'-0"



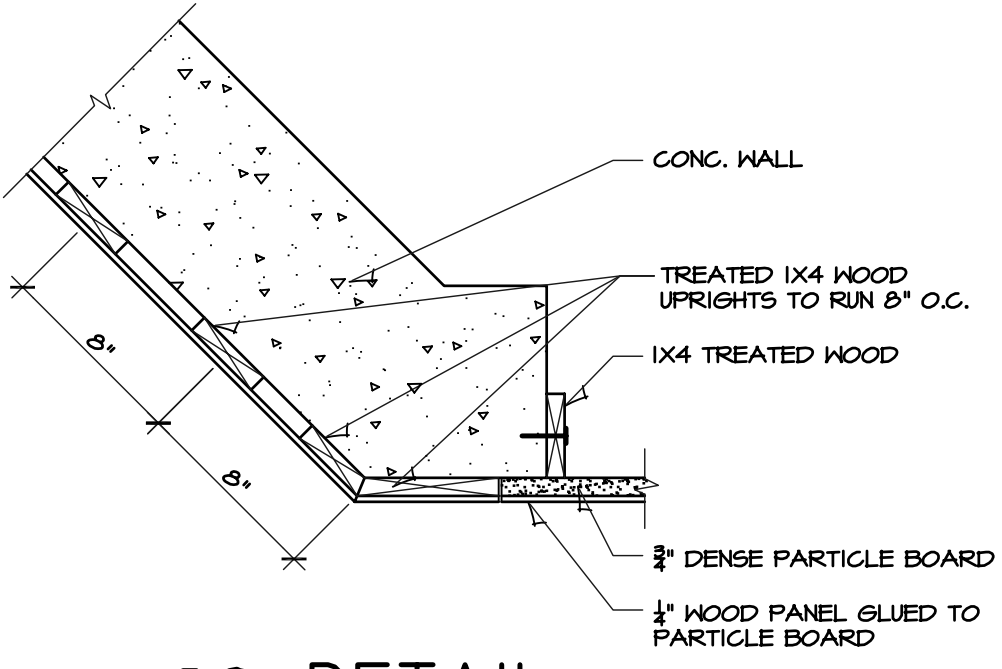
A ELEVATION
 SCALE: 1/2" = 1'-0"



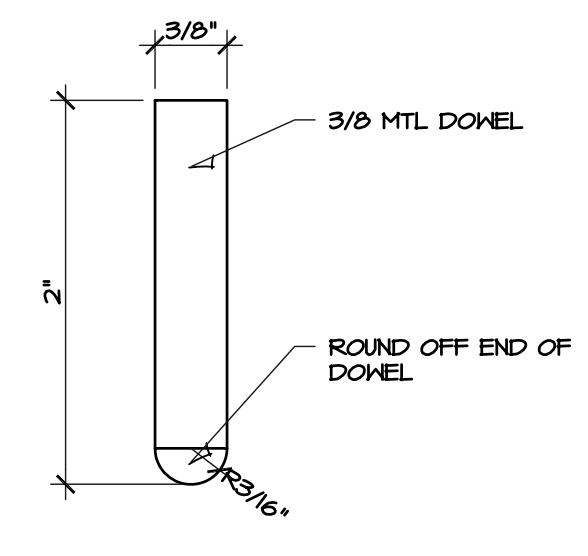
2 SECTION AT RISED FLOOR
 SCALE: 3/4" = 1'-0"



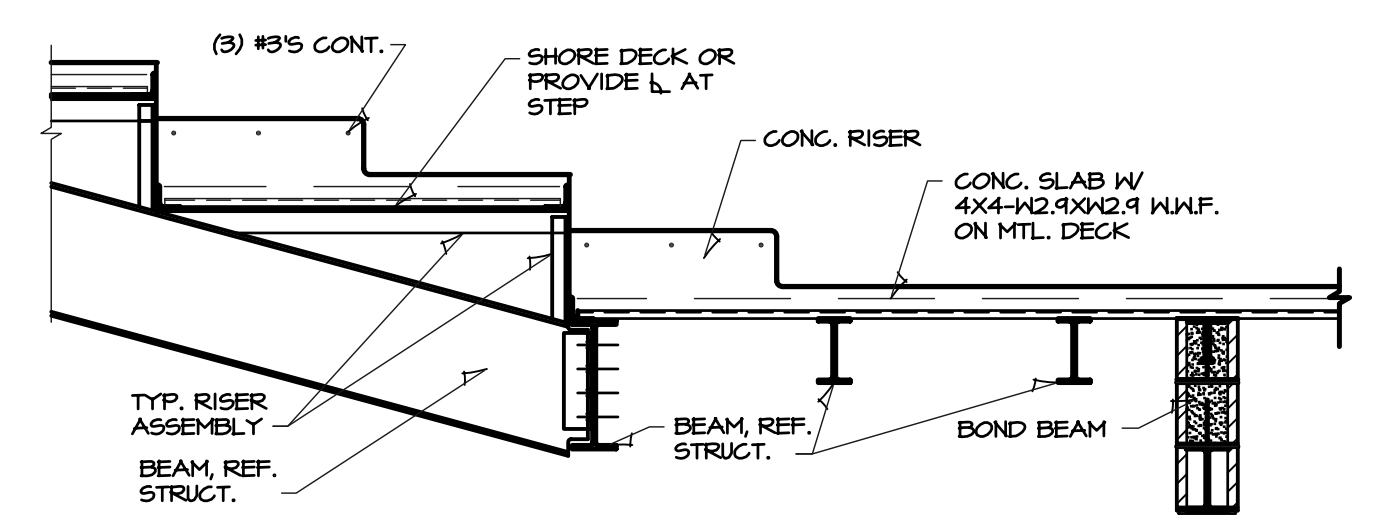
7 STAGE FLOOR
 SCALE: 1 1/2" = 1'-0"



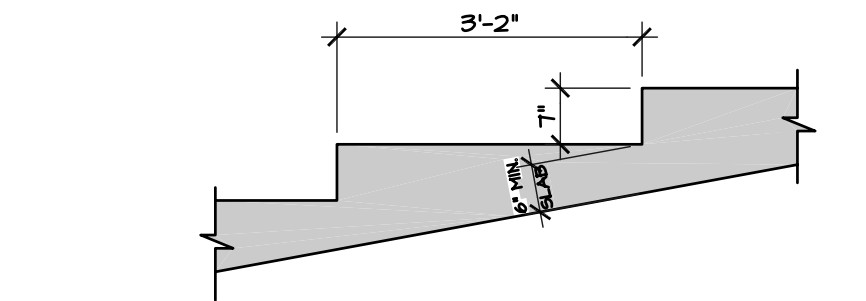
12 DETAIL
 SCALE: 1 1/2" = 1'-0"



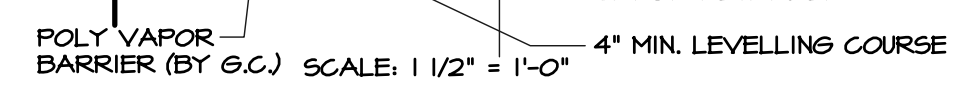
15 METAL DOWEL
 SCALE: N.T.S.



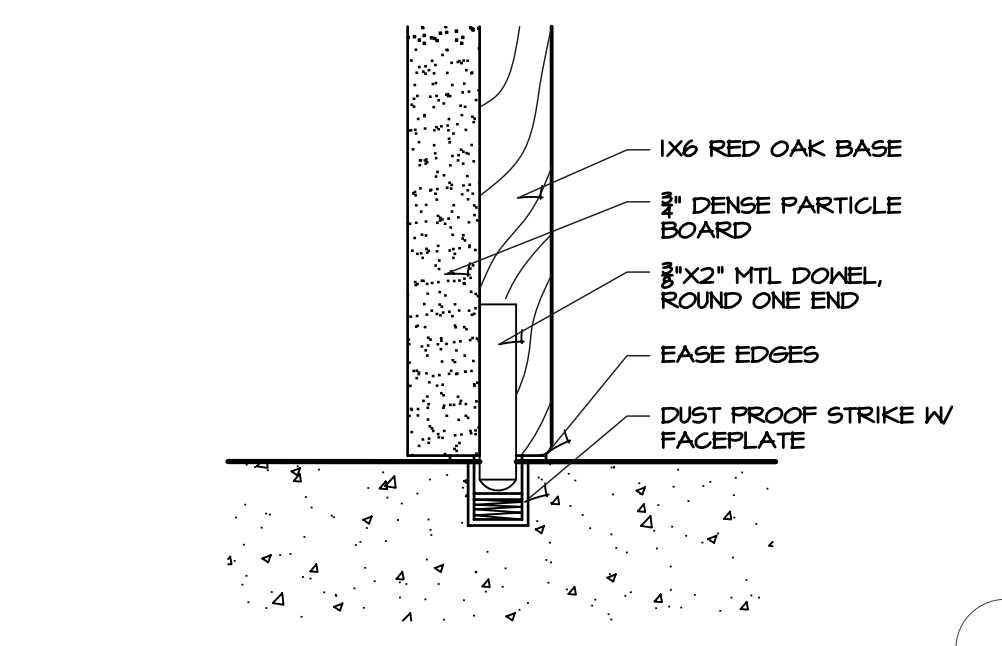
16 METAL RISER
 SCALE: 1/2" = 1'-0"



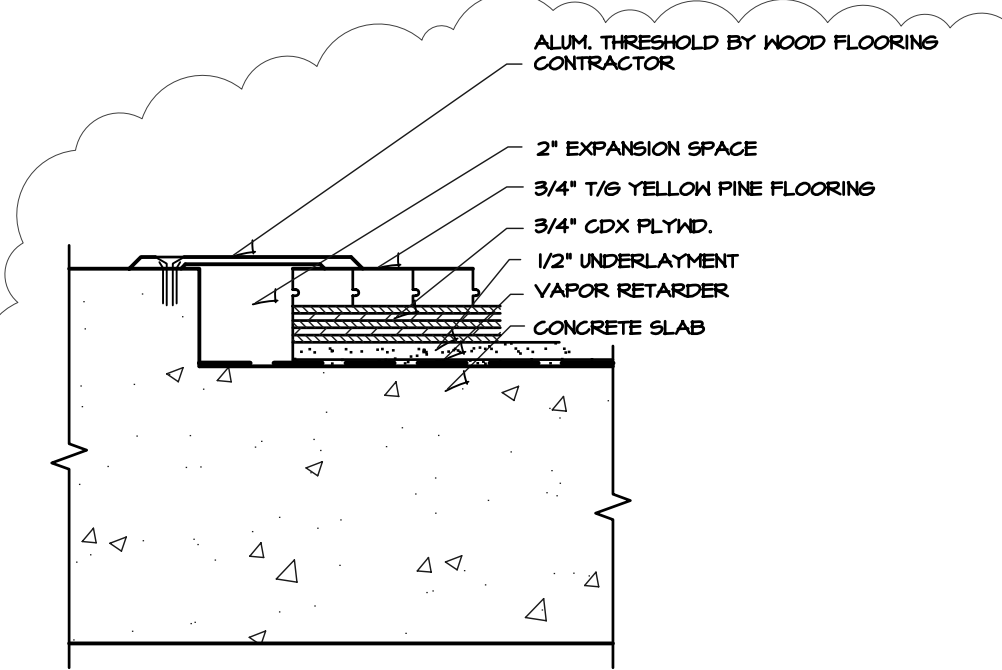
3 SECTION AT RISER
 SCALE: 3/4" = 1'-0"



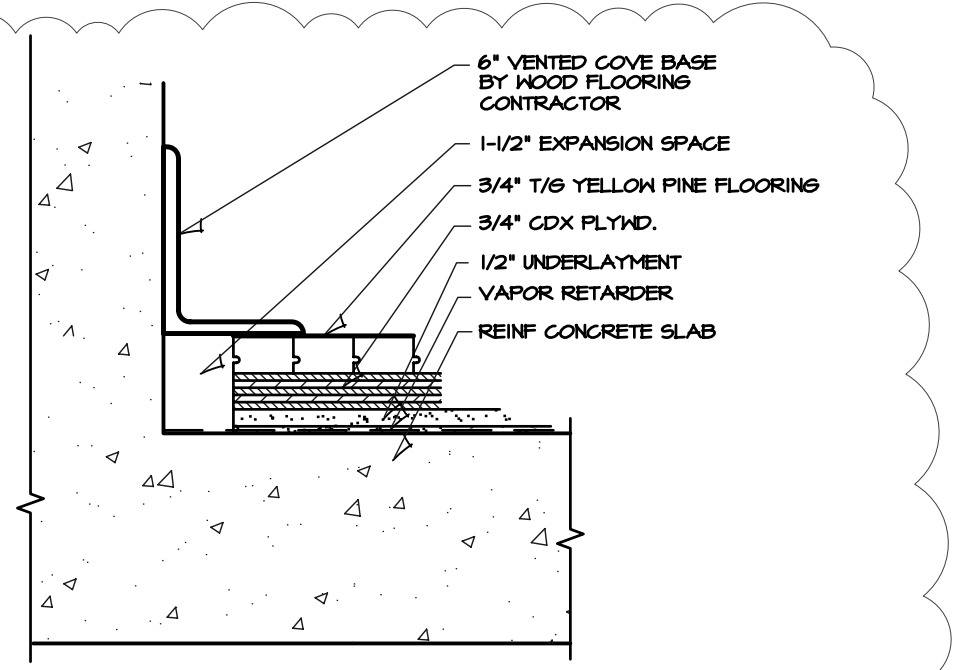
8 SECTION
 SCALE: 1 1/2" = 1'-0"



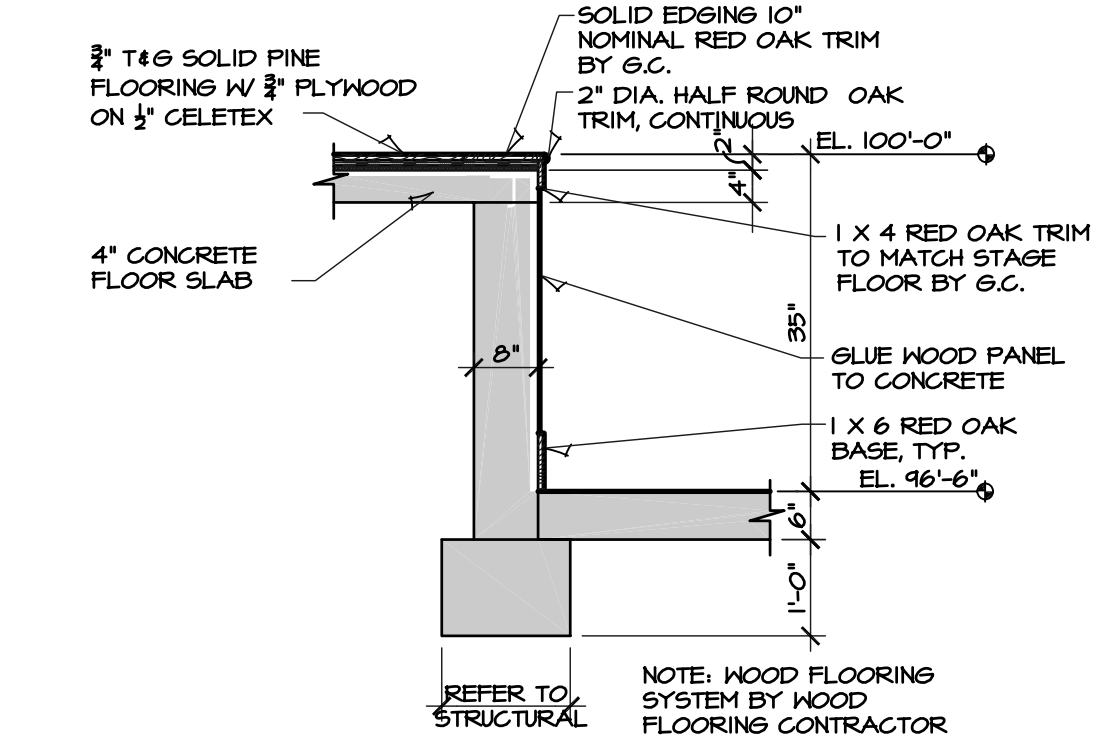
13 DETAIL
 SCALE: N.T.S.



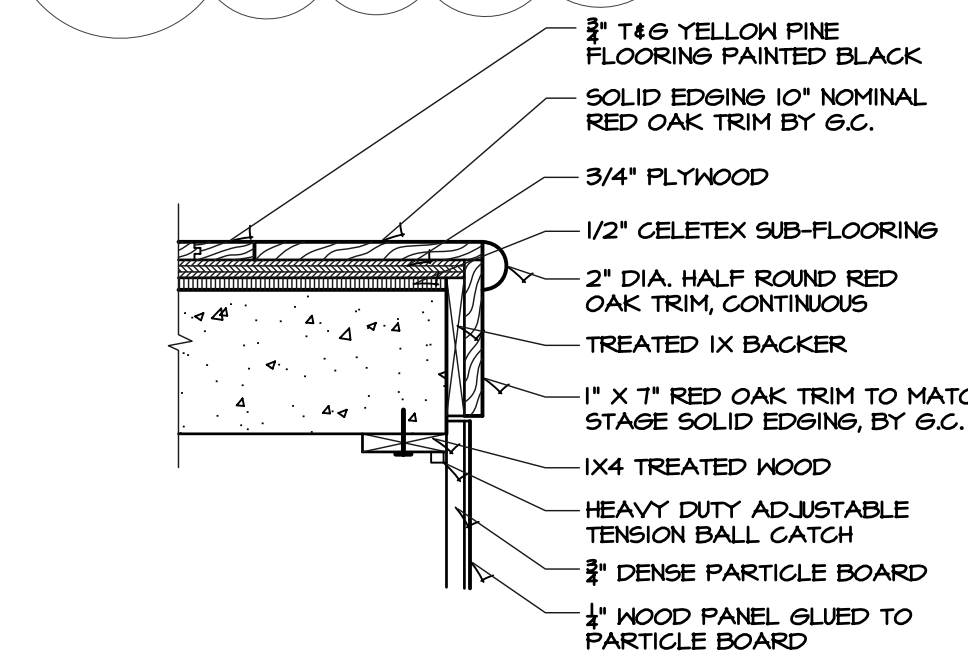
17 WOOD/CONC EXP. JT.
 SCALE: N.T.S.



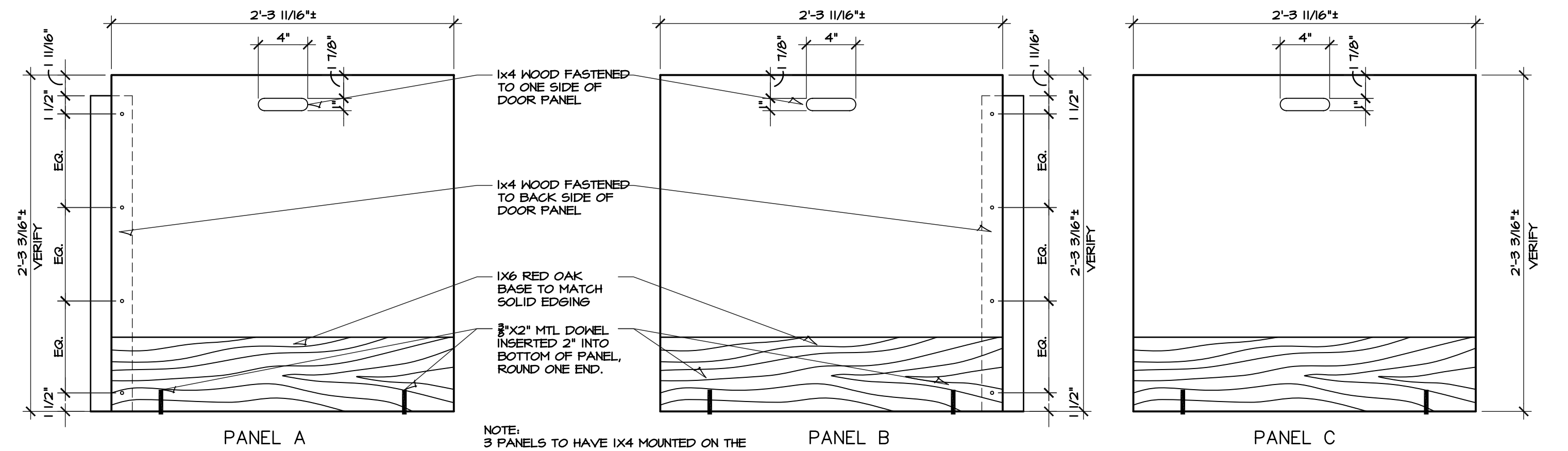
18 WOOD/CONC EXP. JT.
 SCALE: N.T.S.



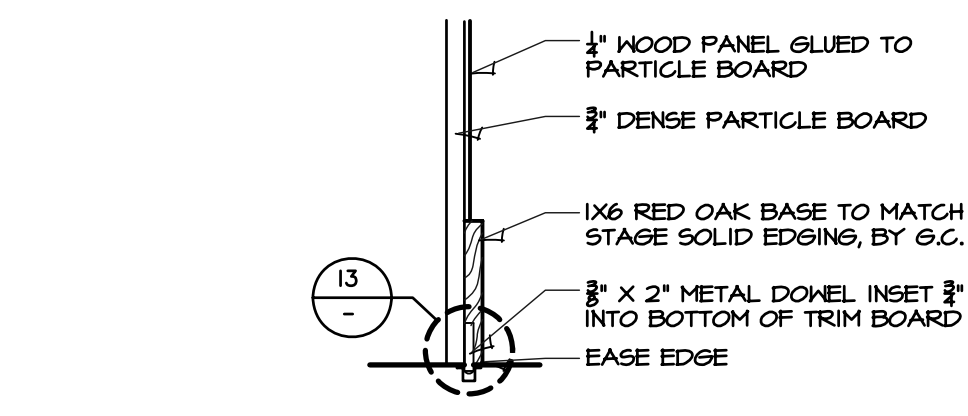
4 SECTION AT STAGE
 SCALE: 3/4" = 1'-0"



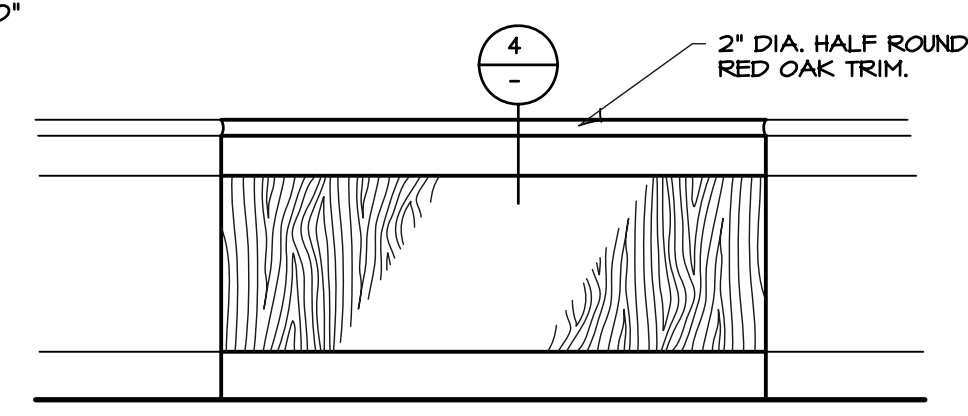
9 SECTION
 SCALE: 1 1/2" = 1'-0"



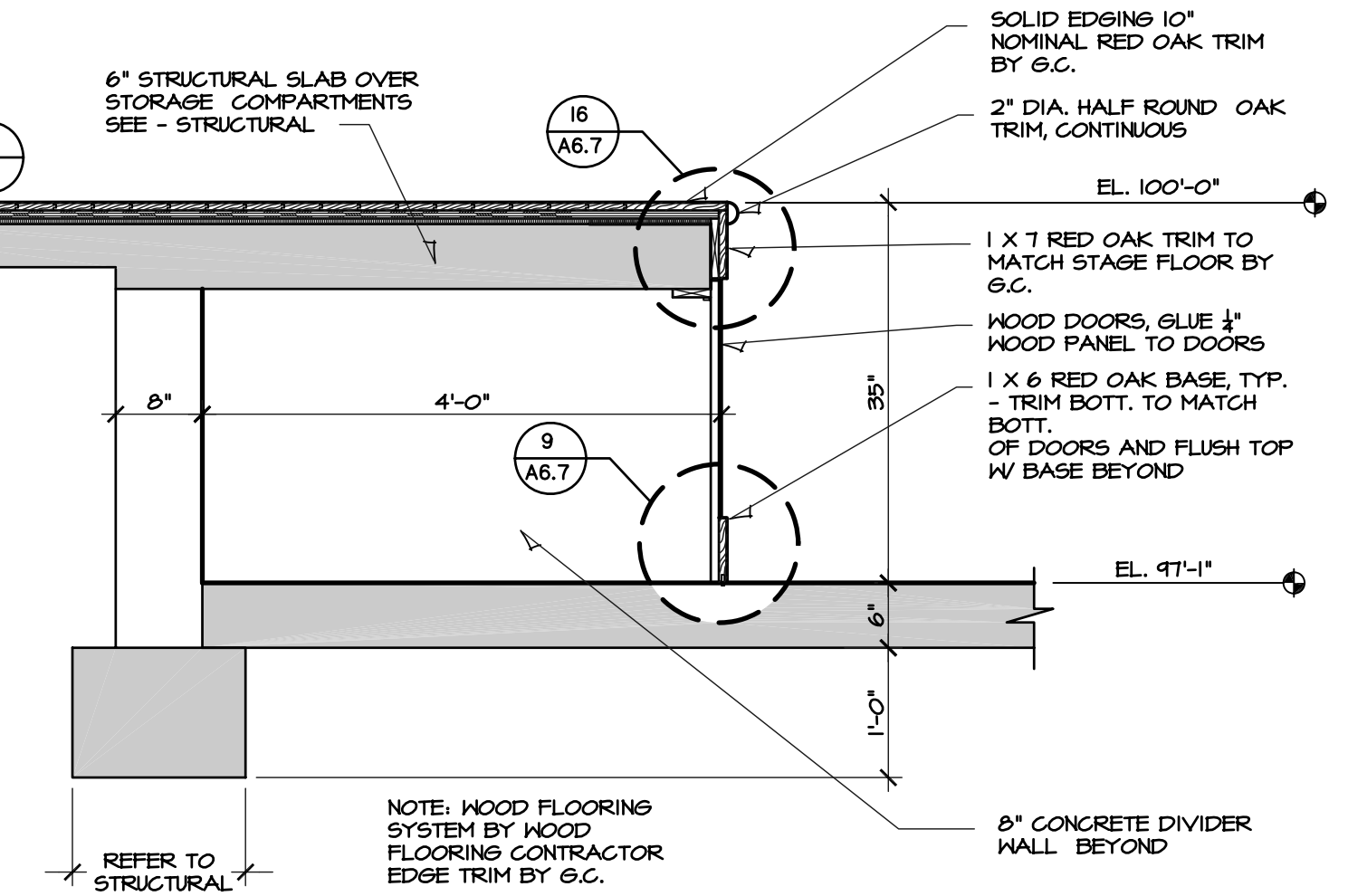
14 TYPICAL PANELS
 SCALE: 1 1/2" = 1'-0"



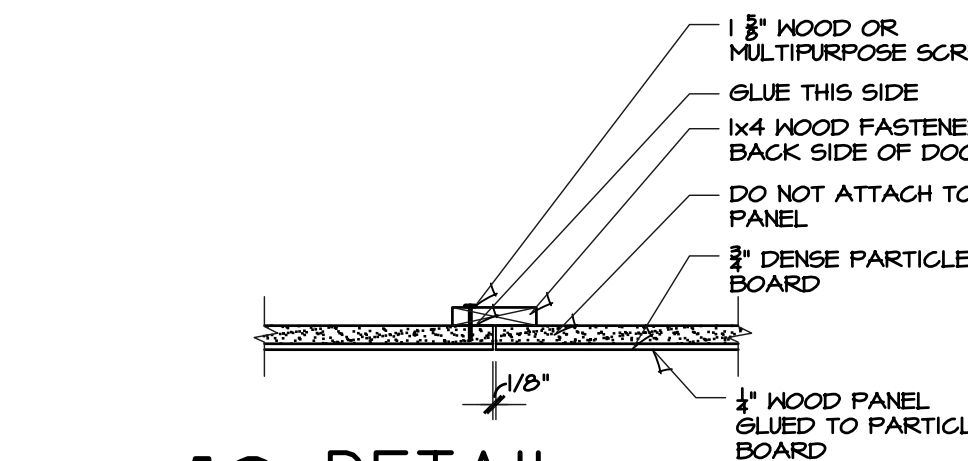
10 DETAIL
 SCALE: 1 1/2" = 1'-0"



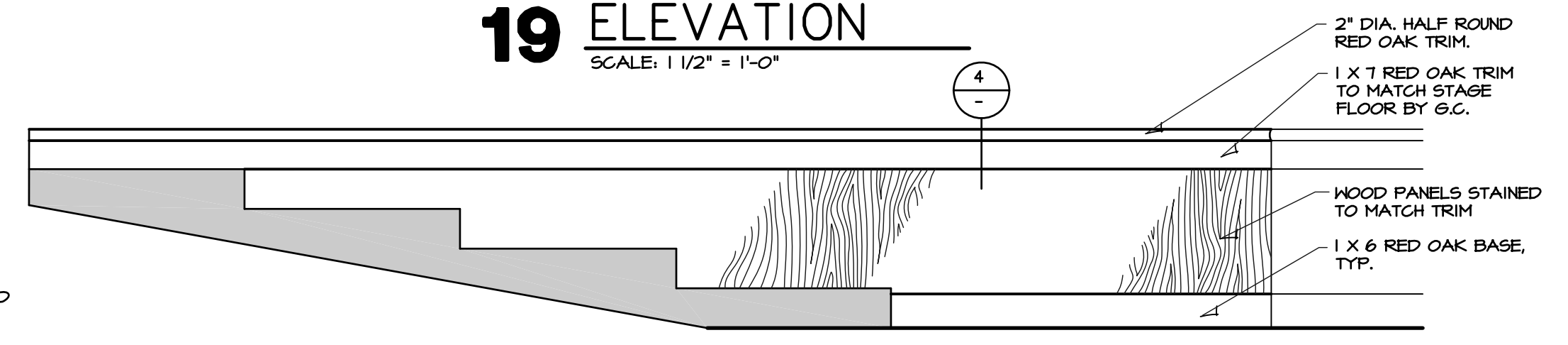
19 ELEVATION
 SCALE: 1 1/2" = 1'-0"



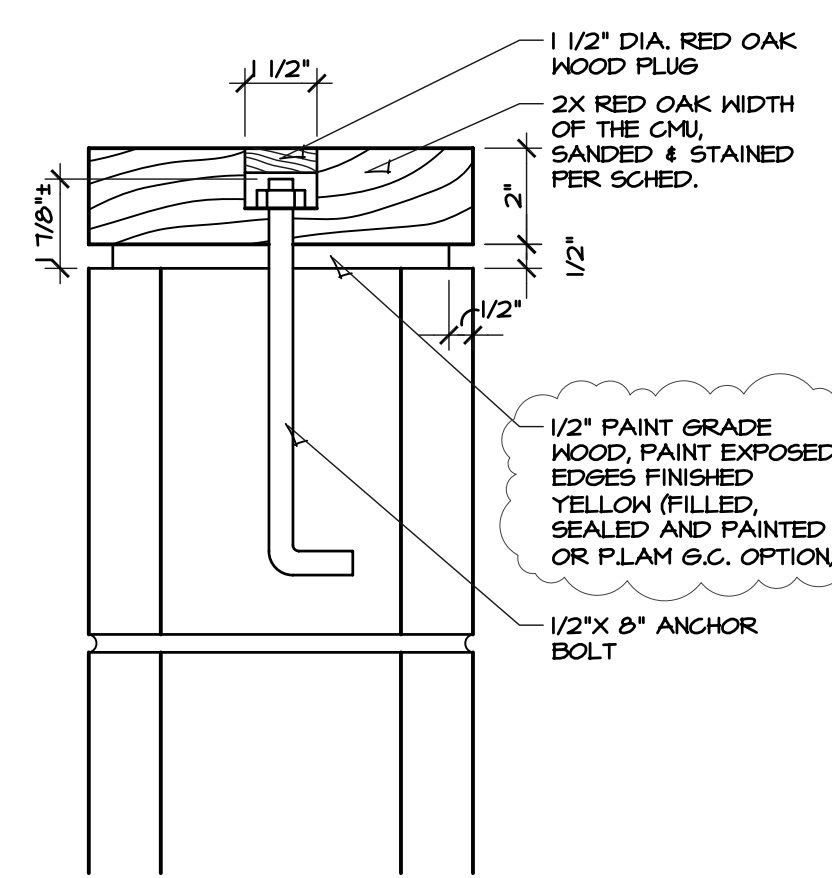
5 SECTION AT STAGE STORAGE
 SCALE: 3/4" = 1'-0"



11 DETAIL
 SCALE: 1 1/2" = 1'-0"



20 ELEVATION
 SCALE: 1 1/2" = 1'-0"



21 DETAIL
 SCALE: 1 1/2" = 1'-0"

DRAWINGS ISSUED		
NO.	DATE	ITEM ISSUED
6	3/20	ADDENDUM 3
5	2/28	ISSUED FOR BIDS
4	2/24	REVIEW
3	2/12	REVIEW
2	2/05	REVIEW
1	1/30	REVIEW

COMPUTER DRAWING
 267AH607.DWG

DATE: FEBRUARY 2009
 DRAWN BY: JP, TH, SF, BS
 CHECKED BY: MH

SHEET
A6.7
 OF SHEETS