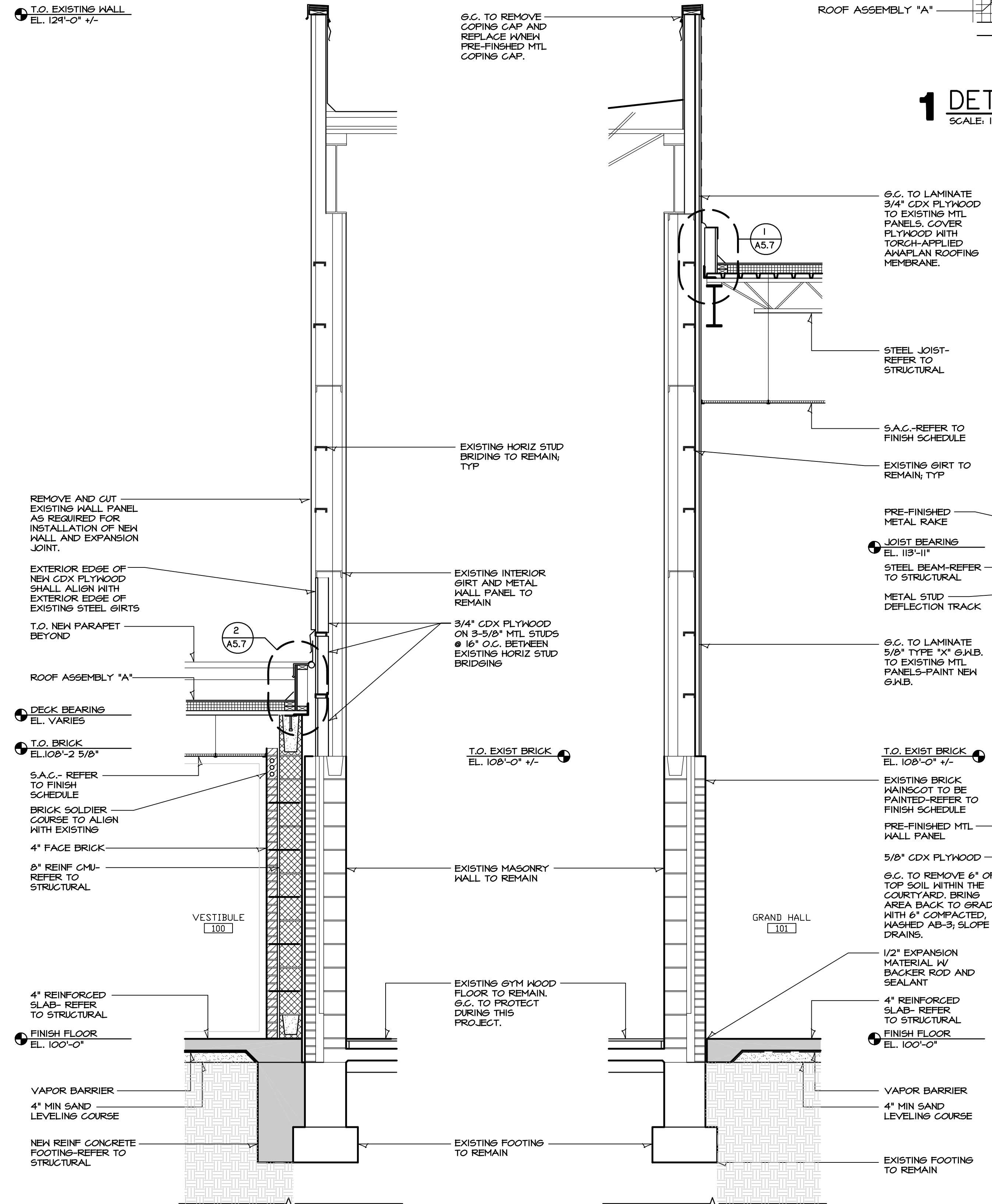




HANNEY & ASSOCIATES, ARCHITECTS
 1726 South Hillside, Wichita, Kansas, 67211
 Phone (316) 883-8965
 Fax (316) 684-1441
 www.haarchitects.com

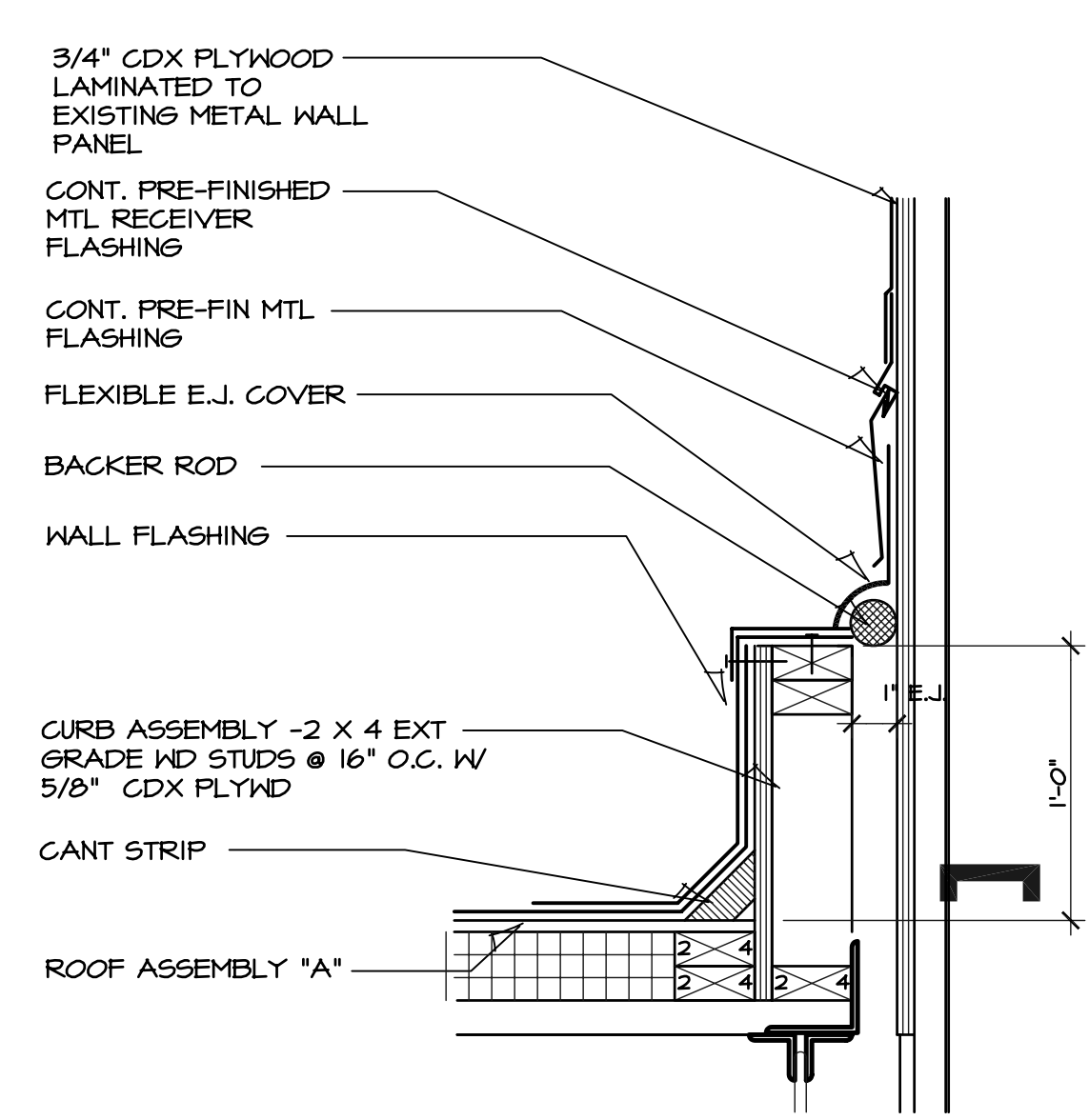
2009
 GARDEN PLAIN HIGH SCHOOL - NEW GYM
 GARDEN PLAIN, KANSAS
 RENWICK UNIFIED SCHOOL DISTRICT 267

TO EXISTING WALL
 EL. 124'-0" +/-

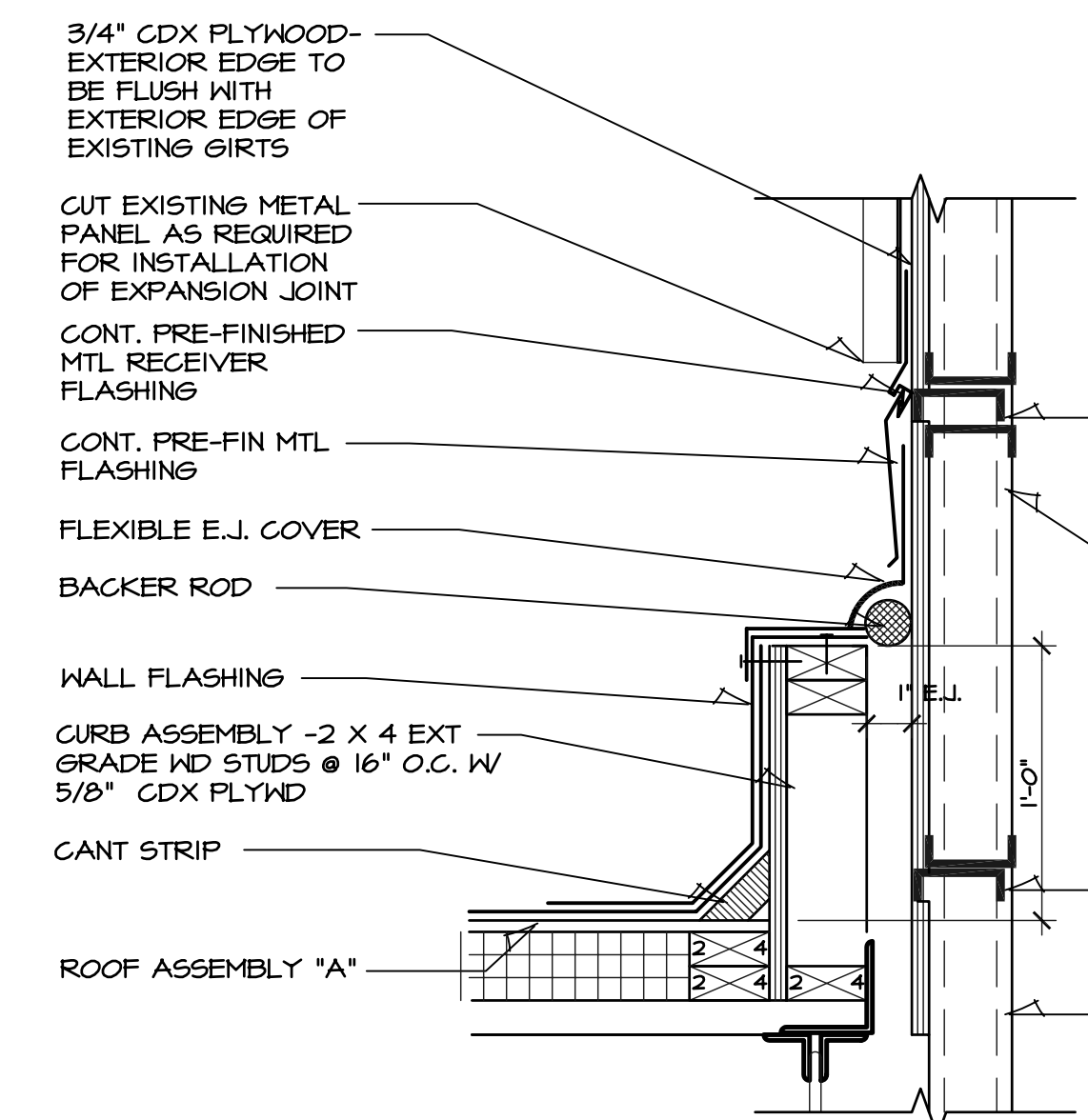


A WALL SECTION
 SCALE: 1/2" = 1'-0"

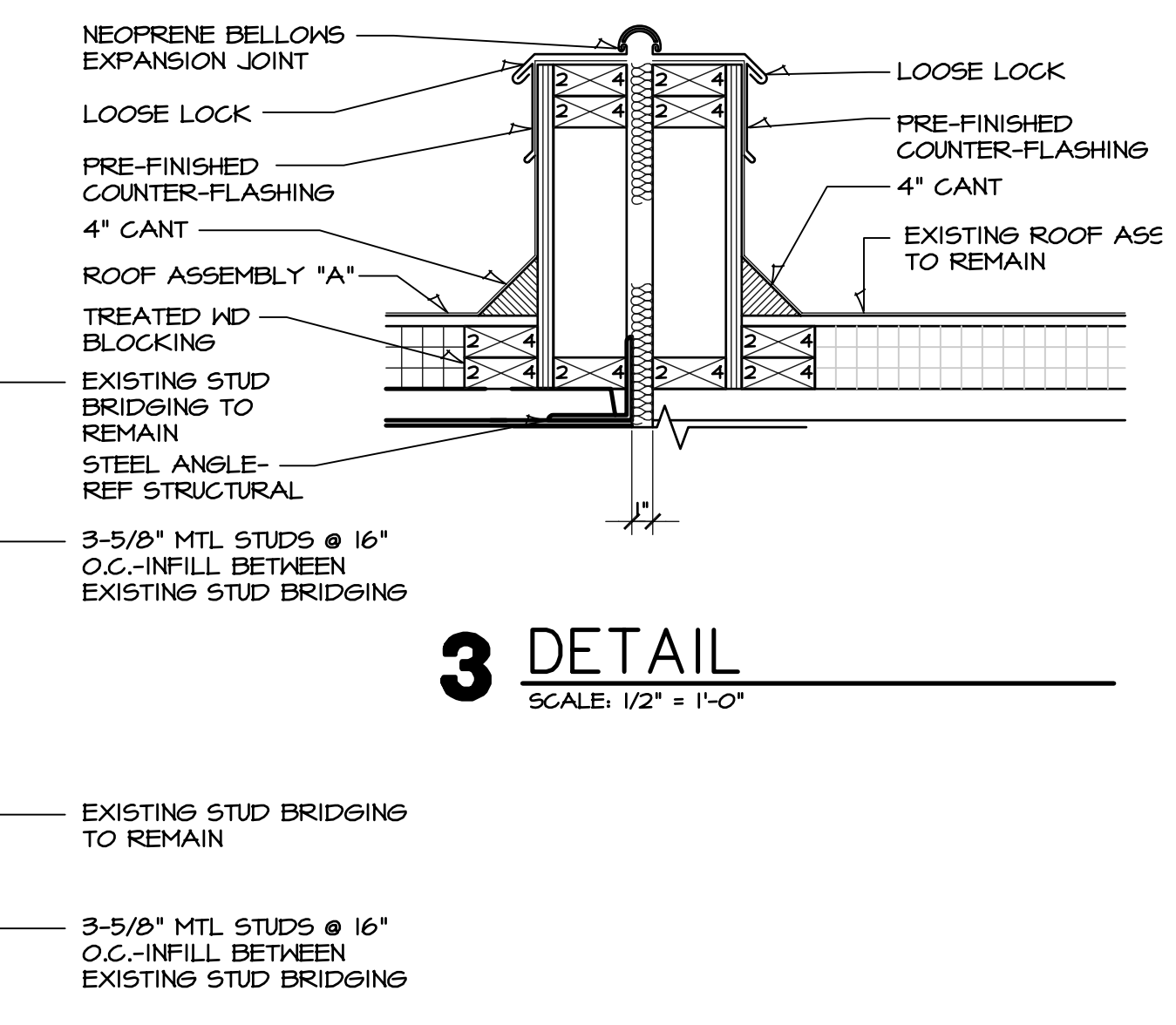
B WALL SECTION
 SCALE: 1/2" = 1'-0"



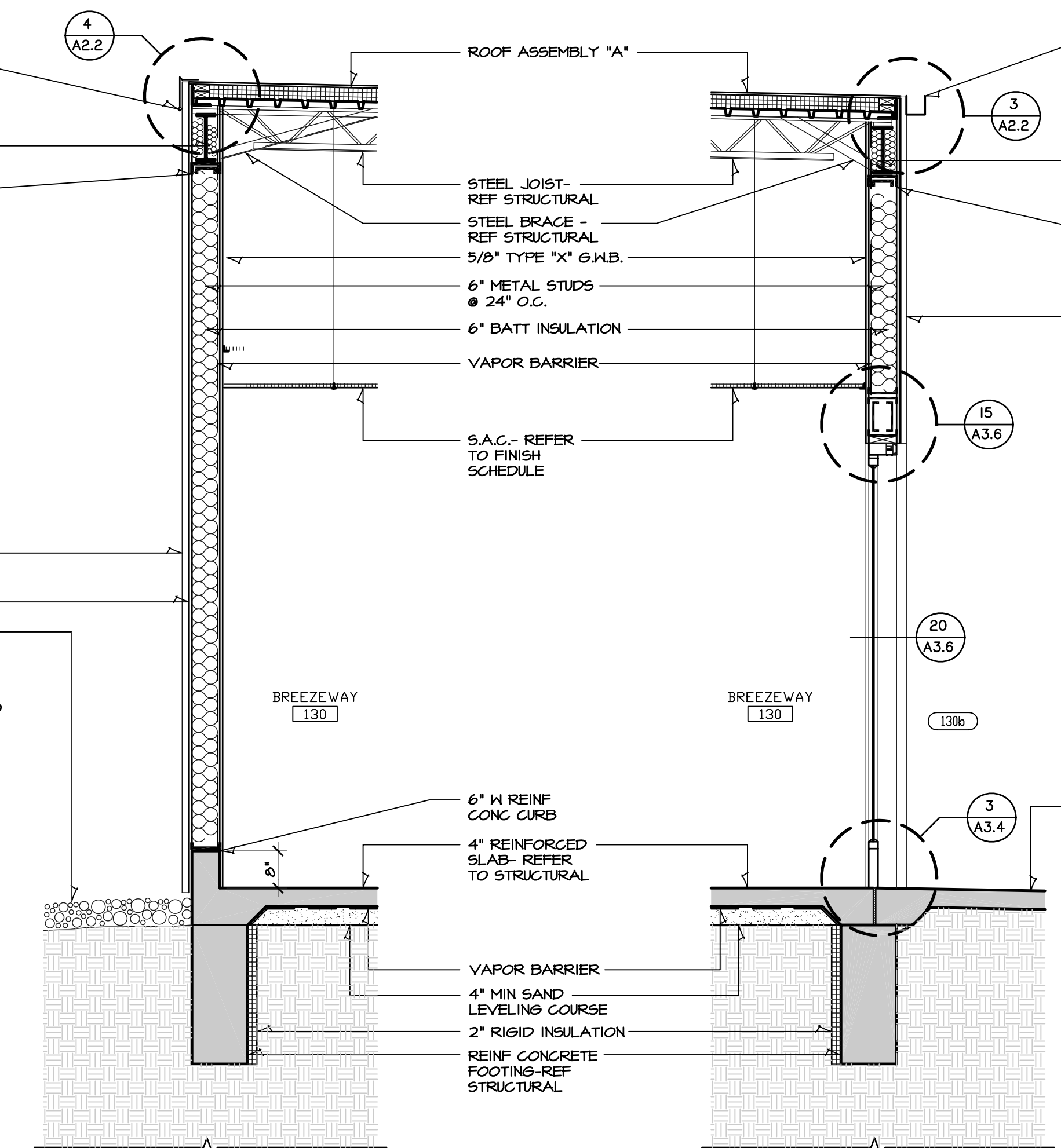
1 DETAIL
 SCALE: 1/2" = 1'-0"



2 DETAIL
 SCALE: 1/2" = 1'-0"

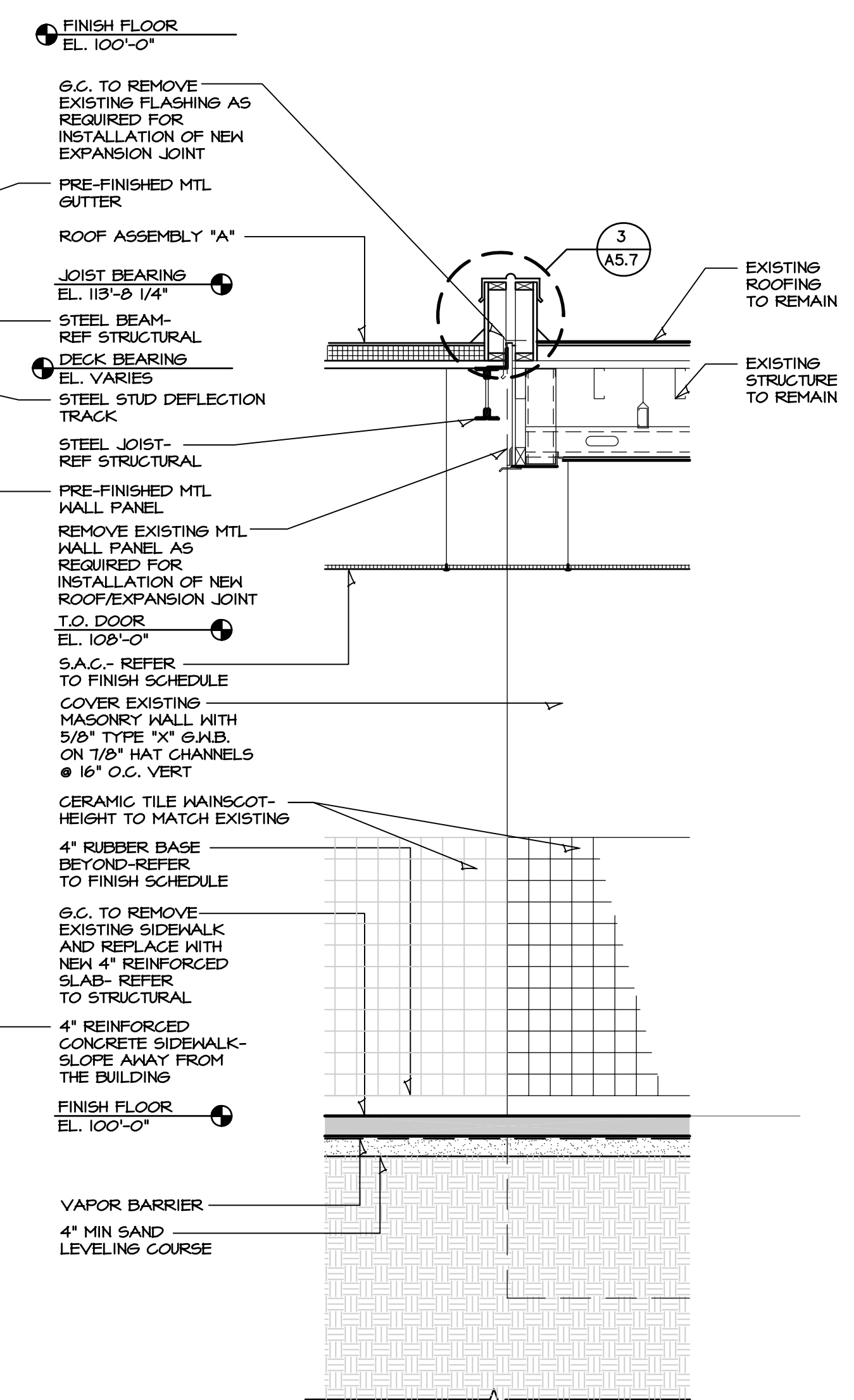


3 DETAIL
 SCALE: 1/2" = 1'-0"



C ALTERNATE #2 WALL SECTION
 SCALE: 1/2" = 1'-0"

D ALTERNATE #2 WALL SECTION
 SCALE: 1/2" = 1'-0"



E ALTERNATE #2 WALL SECTION
 SCALE: 1/2" = 1'-0"

DRAWINGS ISSUED		
NO.	DATE	ITEM ISSUED
2	04/28	ADDENDUM #1
1	04/17	FOR BIDS

COMPUTER DRAWING
 267GHA507.DWG

DATE: APRIL 2004
 DRAWN BY: JP TH SF BS JH
 CHECKED BY: MH

SHEET
A5.7
 OF 1 SHEETS