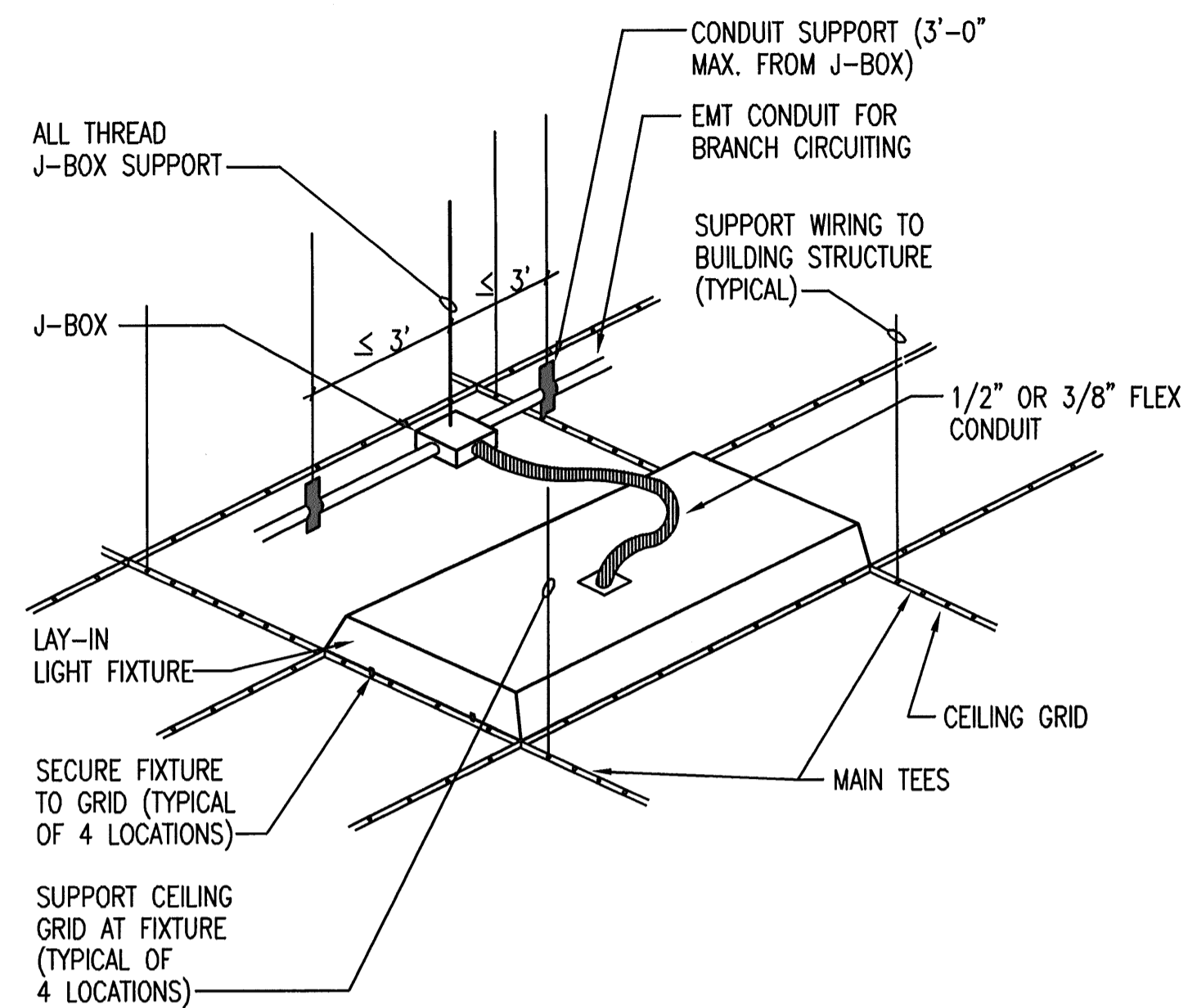
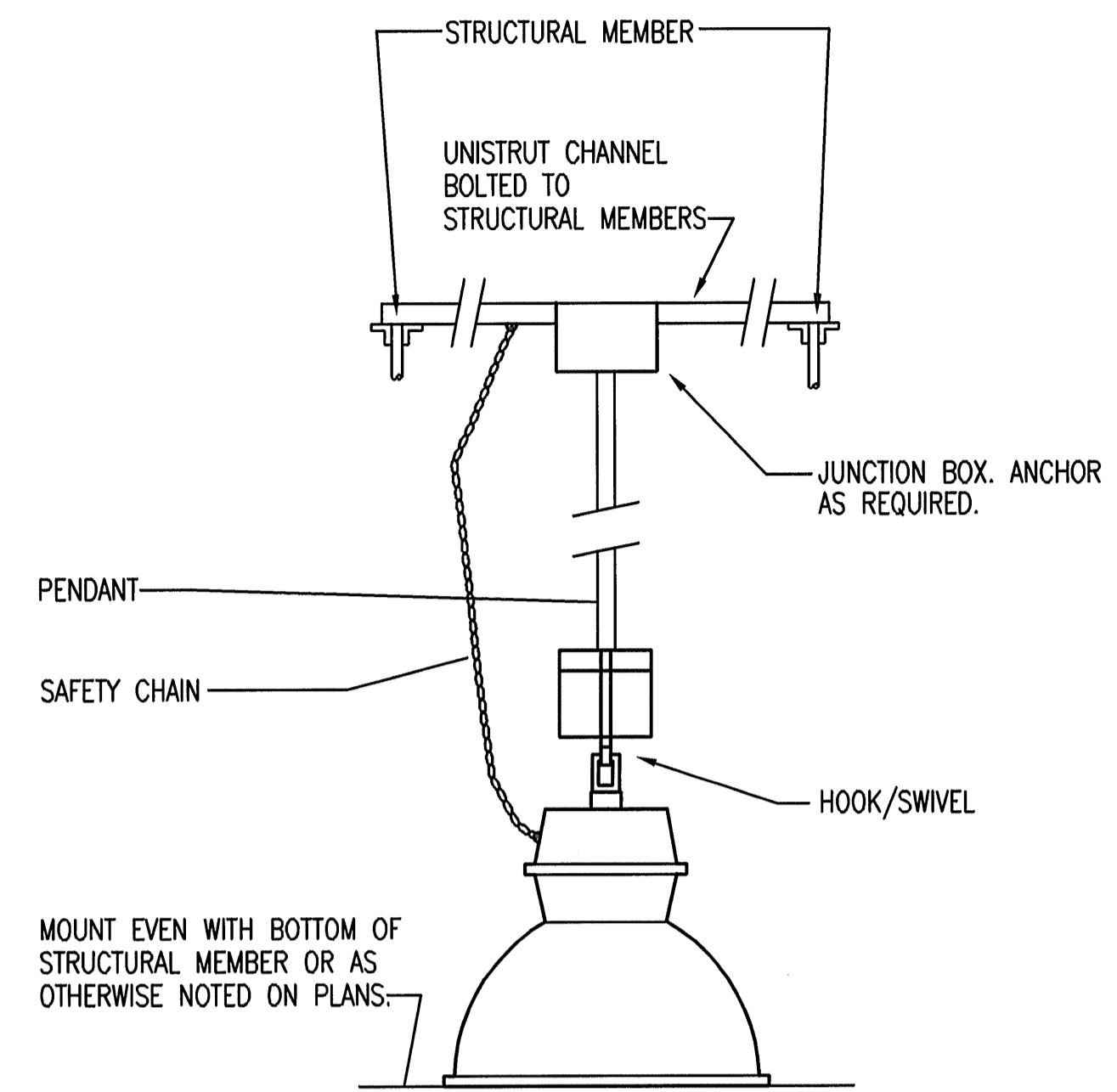


- NOTES:**
1. VERIFY PAD LOCATION, DIMENSIONS & ALL REQUIREMENTS WITH LOCAL UTILITY CO.
  2. THE TOP OF THE TRANSFORMER PAD SHALL RECEIVE A SMOOTH TROWEL FINISH. THE CORNERS AND EDGES SHALL BE ROUNDED OR BEVELLED.
  3. THE CONCRETE SHALL BE A MINIMUM OF 3,000 LB. MIX.
  4. CONTRACTOR SHALL EXTEND FORMS DOWN TO AT LEAST 3" BELOW AVERAGE GROUND LINE.
  5. TOP OF CONDUITS SHALL BE FLUSH WITH TOP OF PAD.
  6. THE CONDUIT OPENING SHALL BE FREE AND CLEAR OF CONCRETE.
  7. PILLARS ARE FORMED BY AUGERING AN 8" DIAMETER HOLE TO A DEPTH OF UNDISTURBED EARTH. A SEPARATOR, SUCH AS TAR PAPER, SHOULD BE PLACED BETWEEN THE PILLAR AND THE PAD SO THE PAD CAN BE LEVELLED AT A LATER TIME IF NECESSARY.

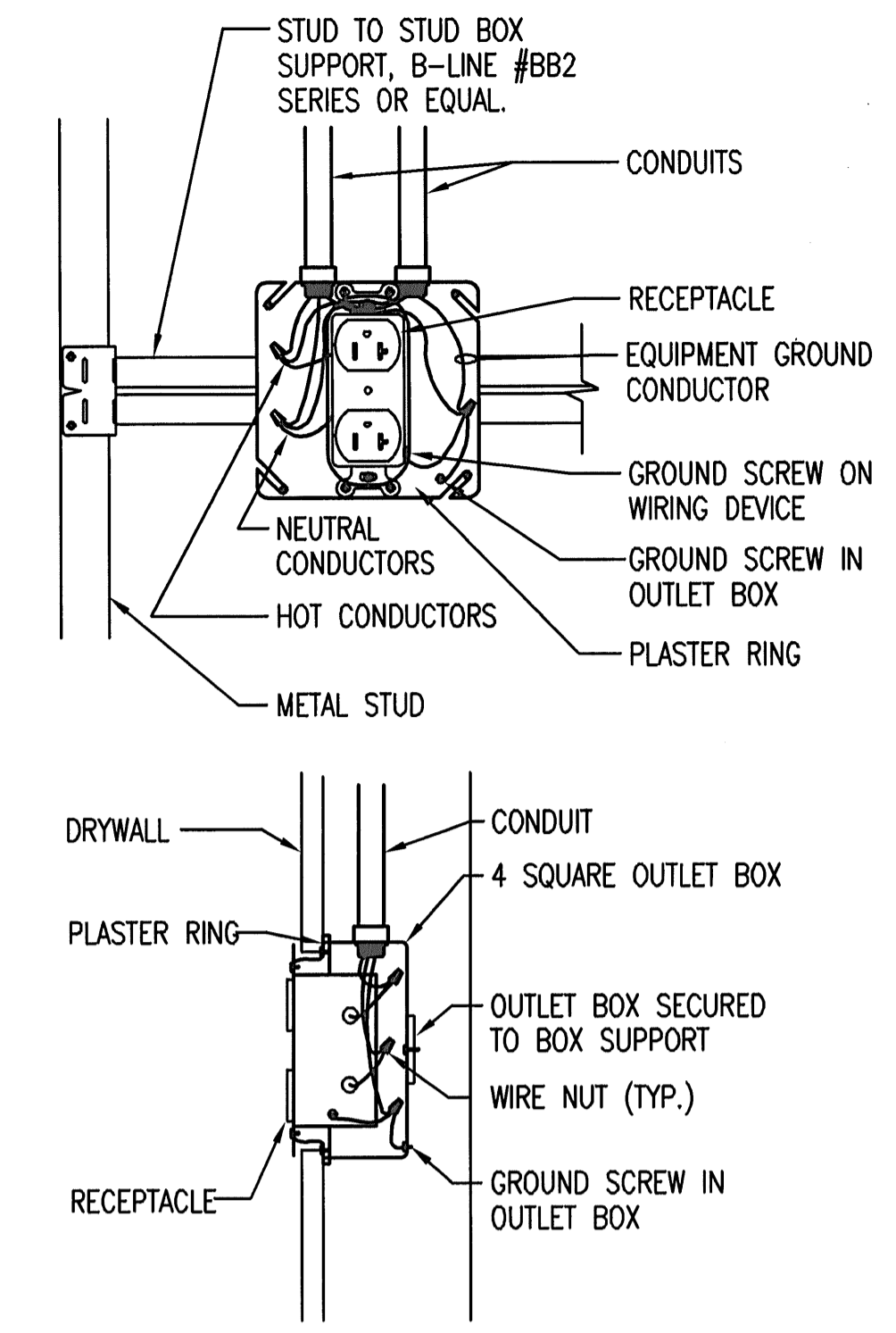
**1** TRANSFORMER PAD DETAIL  
NO SCALE 75-500KVA



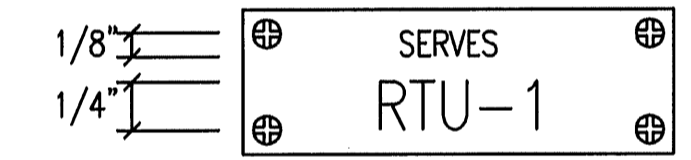
**2** TYPICAL LAY-IN FIXTURE INSTALLATION DETAIL  
NO SCALE FOR 2'x2' LIGHT FIXTURES AND 2'x4' FIXTURES RUN PARALLEL WITH MAIN TEES, ADDITIONAL SUPPORTS ARE REQUIRED AT FIXTURE CORNERS ON SECONDARY TEES.



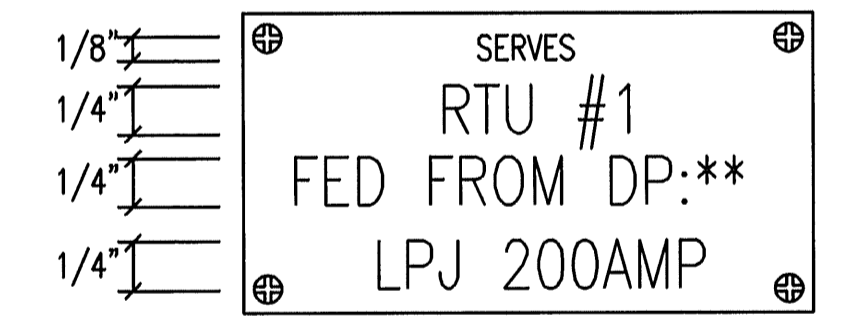
**3** HIGH BAY FIXTURE MOUNTING DETAIL  
NO SCALE



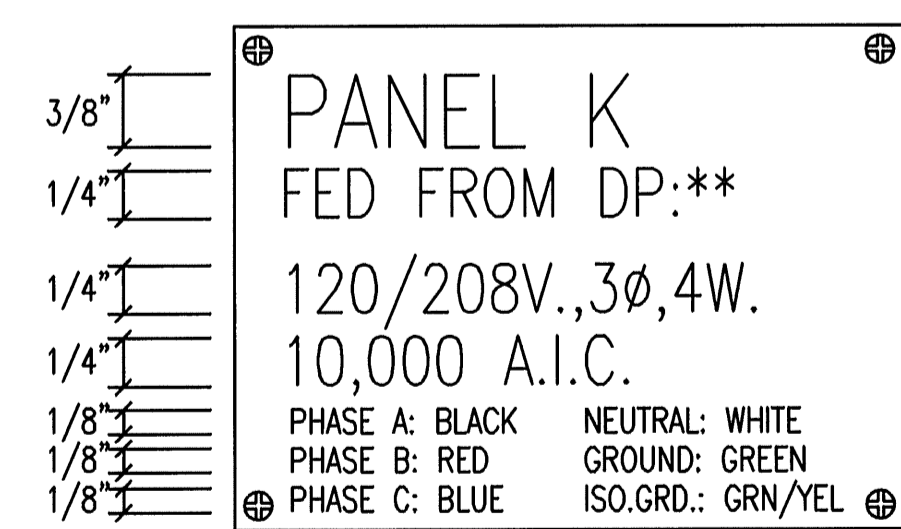
**4** TYPICAL RECEPTACLE MOUNTING DETAIL  
NO SCALE



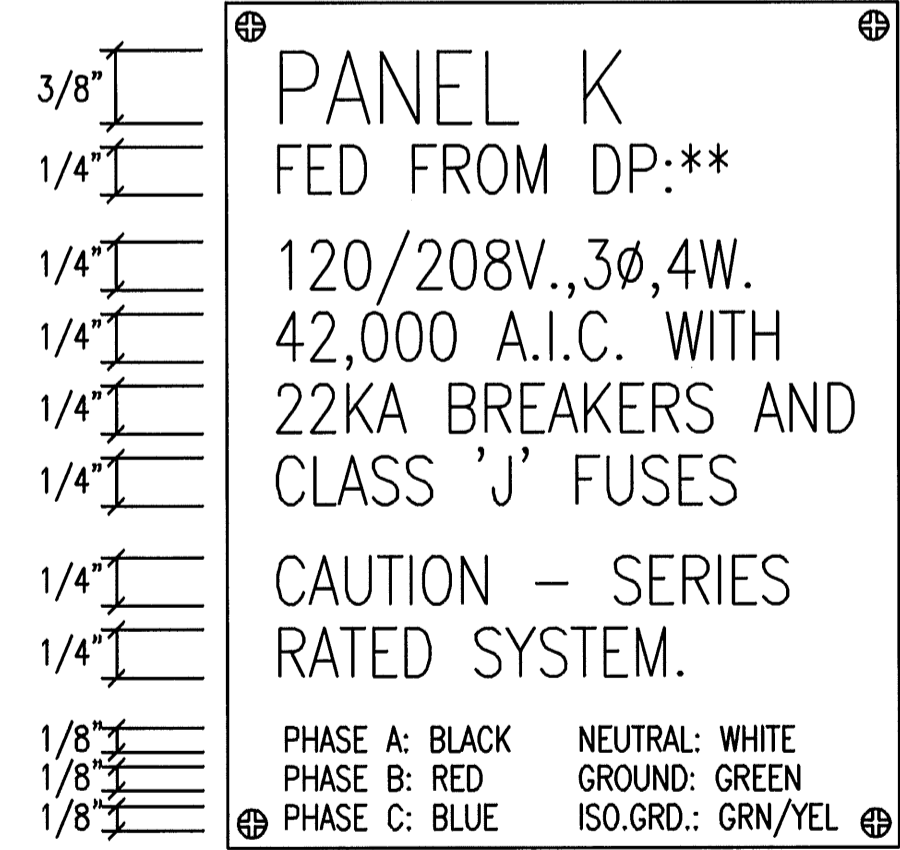
SWITCHBOARD/DISTRIBUTION PANEL/MOTOR CONTROL CENTER BREAKER/SWITCH



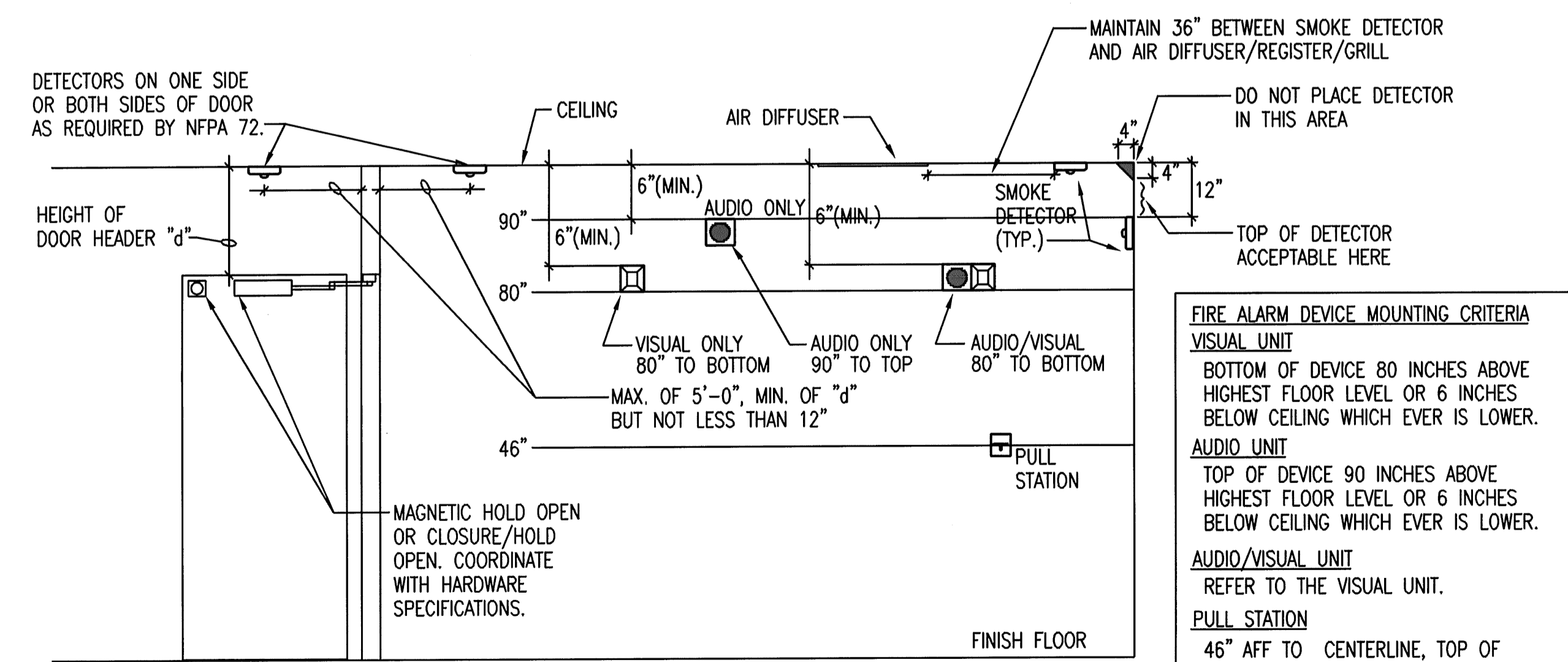
DISCONNECT SWITCH



BRANCH CIRCUIT/DISTRIBUTION PANEL



BRANCH CIRCUIT/DISTRIBUTION PANEL SERIES RATED



**FIRE ALARM DEVICE MOUNTING CRITERIA**

**VISUAL UNIT**  
BOTTOM OF DEVICE 80 INCHES ABOVE HIGHEST FLOOR LEVEL OR 6 INCHES BELOW CEILING WHICH EVER IS LOWER.

**AUDIO UNIT**  
TOP OF DEVICE 90 INCHES ABOVE HIGHEST FLOOR LEVEL OR 6 INCHES BELOW CEILING WHICH EVER IS LOWER.

**AUDIO/VISUAL UNIT**  
REFER TO THE VISUAL UNIT.

**PULL STATION**  
46" AFF TO CENTERLINE, TOP OF DEVICE SHALL NOT BE MORE THAN 48" AFF

**GENERAL NOTE**  
THESE GUIDELINES SHALL BE USED UNLESS MOUNTING HEIGHTS HAVE BEEN SPECIFIED OTHERWISE ON THE DRAWINGS.

**5** F.A. DEVICE MOUNTING DETAIL  
NO SCALE

**6** TYPICAL NAME PLATES  
NO SCALE

DRAWINGS ISSUED		
NO.	DATE	ITEM ISSUED
1	4/17	FOR BIDS

COMPUTER DRAWING

DATE: APRIL 2009  
DRAWN BY: JLM  
CHECKED BY: DLD

SHEET  
**E1.3**  
OF 16 SHEETS