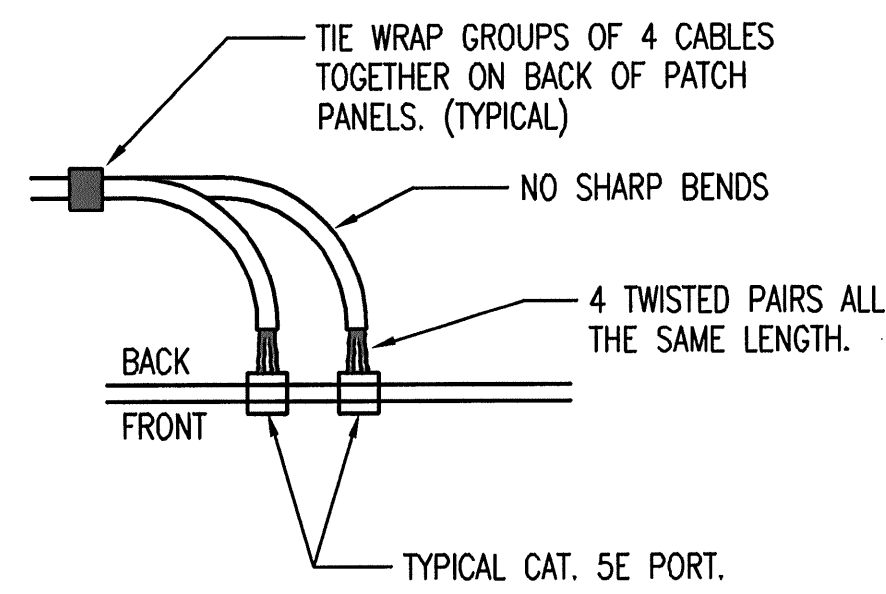
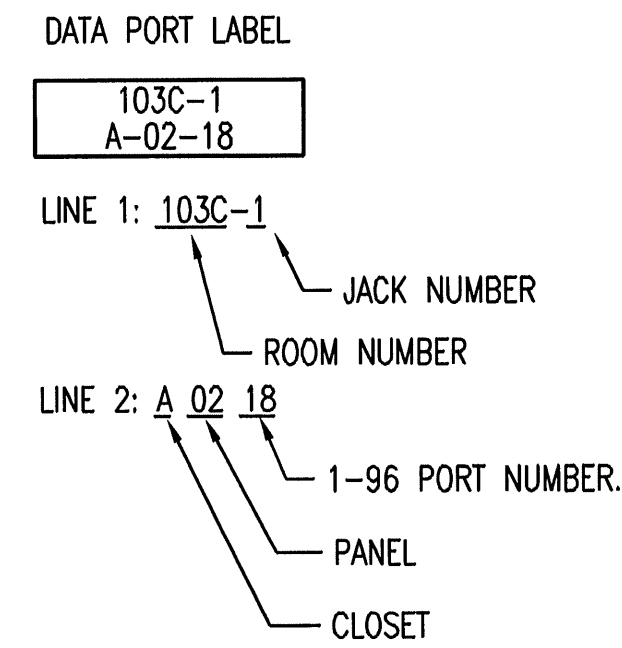


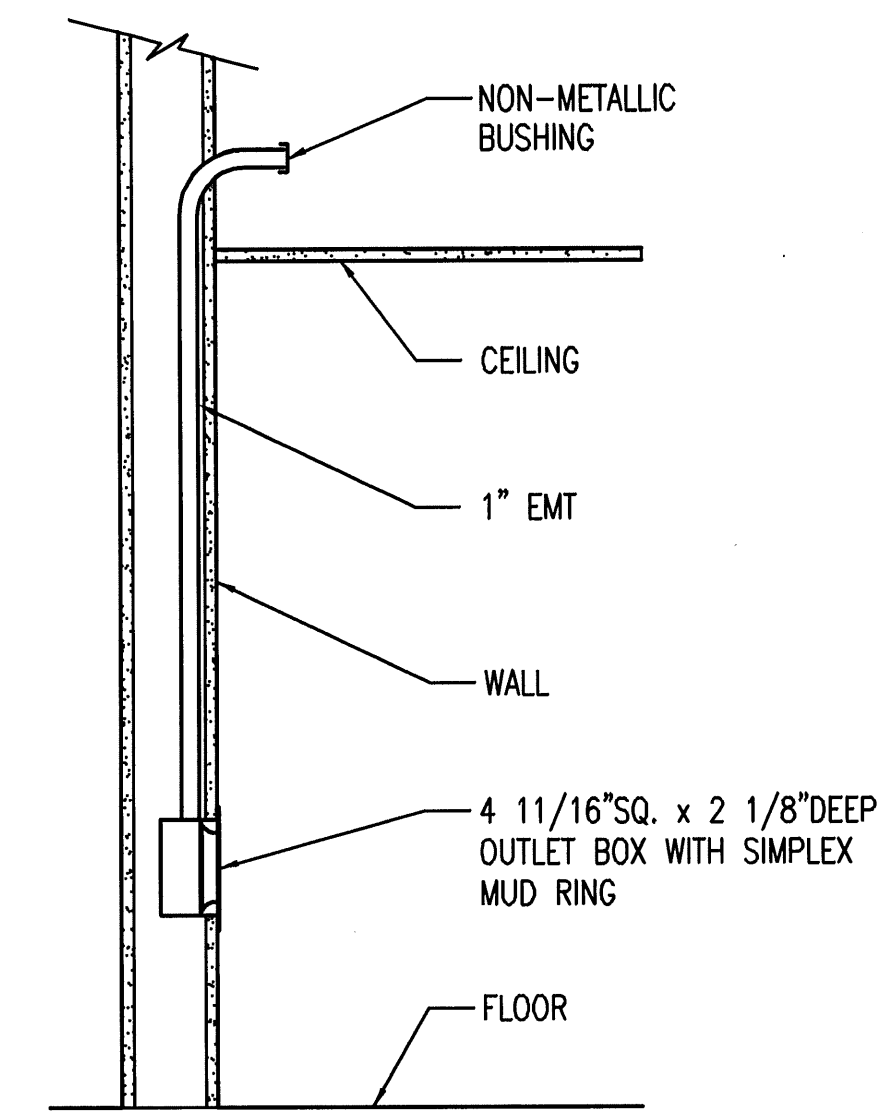
1 GROUND BAR DETAIL
NO SCALE



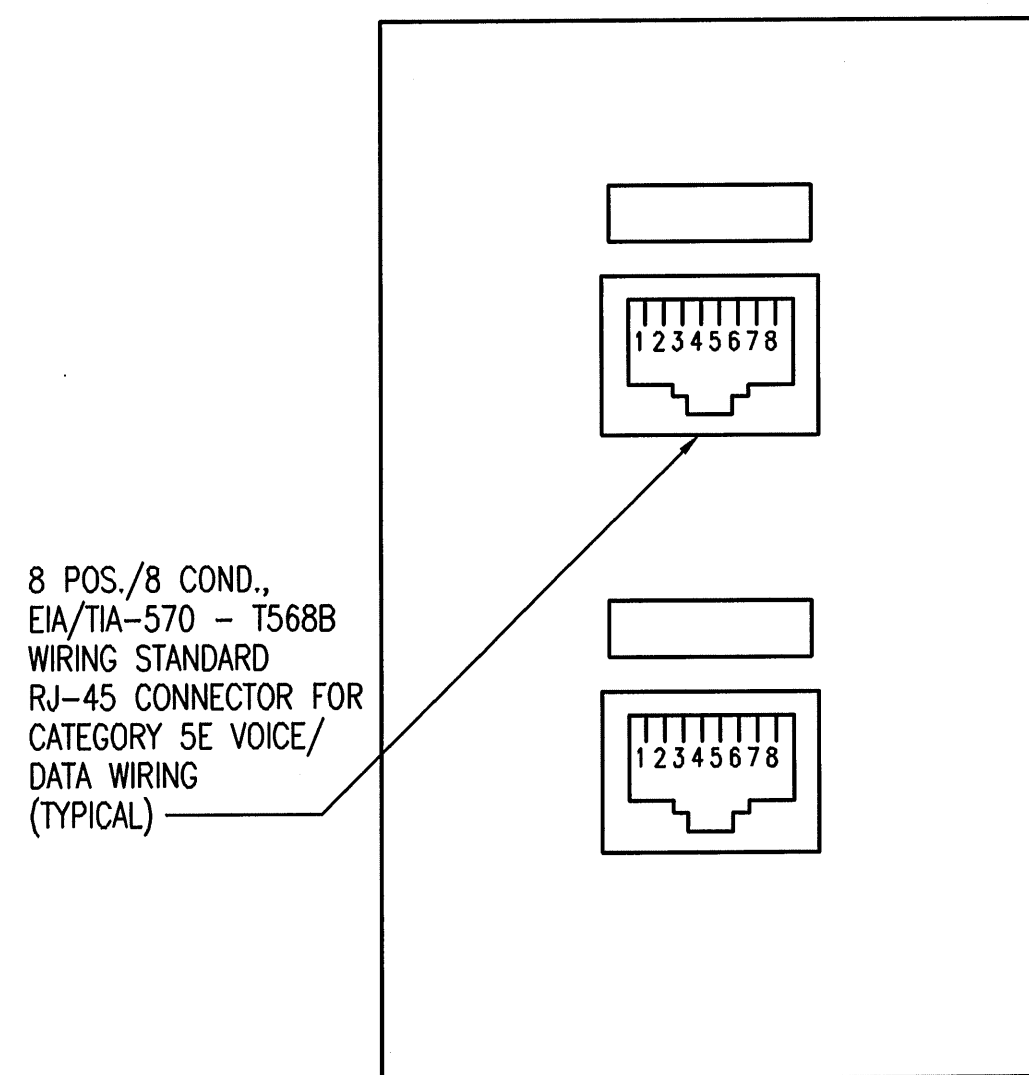
2 DATA PORT DETAIL
NO SCALE



3 PORT LABELING DETAIL
NO SCALE VERIFY LABELING CONVENTIONS AND LABEL TYPES WITH OWNER.

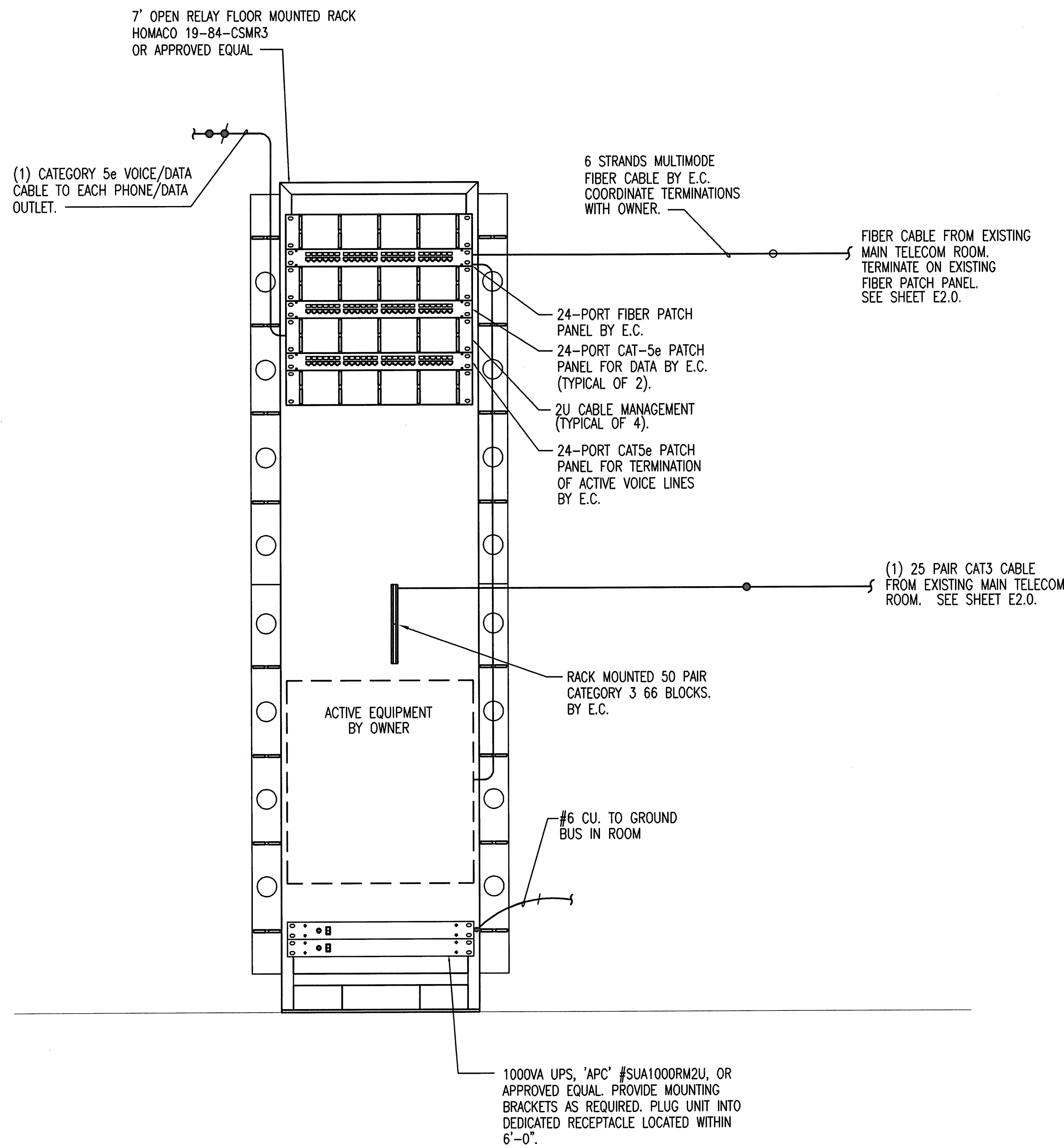


4 DATACOM OUTLET DETAIL
NO SCALE

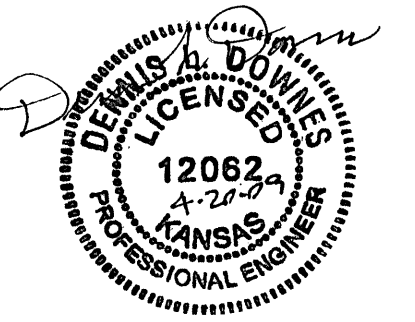


1. VERIFY COLOR OF JACKS AND LABELING WITH OWNER.
2. PROVIDE 10' WORK STATION PATCH CORD FOR EACH VOICE OUTLET AND EACH DATA OUTLET TERMINATED.
3. EACH VOICE/DATA PORTS SHALL BE PROVIDED WITH A PORT LABEL LOCATED ABOVE THE PORT. (TYPICAL OF 2 PORTS)

5 TYPICAL TELECOMMUNICATIONS OUTLET DETAIL
NO SCALE



6 EQUIPMENT ROOM A115 DATA RACK ELEVATION
NO SCALE



HANNEY & ASSOCIATES, ARCHITECTS
1726 South Hillside, Wichita, Kansas, 67211
Phone (316) 683-8965
Fax (316) 684-1441
www.haarchitects.com

2009
 GARDEN PLAIN HIGH SCHOOL - NEW GYM
 GARDEN PLAIN, KANSAS
 RENWICK UNIFIED SCHOOL DISTRICT 267

DRAWINGS ISSUED		
NO.	DATE	ITEM ISSUED
1	4/17	FOR BIDS

COMPUTER DRAWING

DATE: APRIL 2009
 DRAWN BY: JLM
 CHECKED BY: DLD

SHEET

E1.5

OF 16 SHEETS

Professional Engineering Consultants, P.A.
 303 S. TOPEKA - WICHITA, KANSAS 67202 • 316-262-2691 • FAX 316-262-3003
 www.pjnc.com