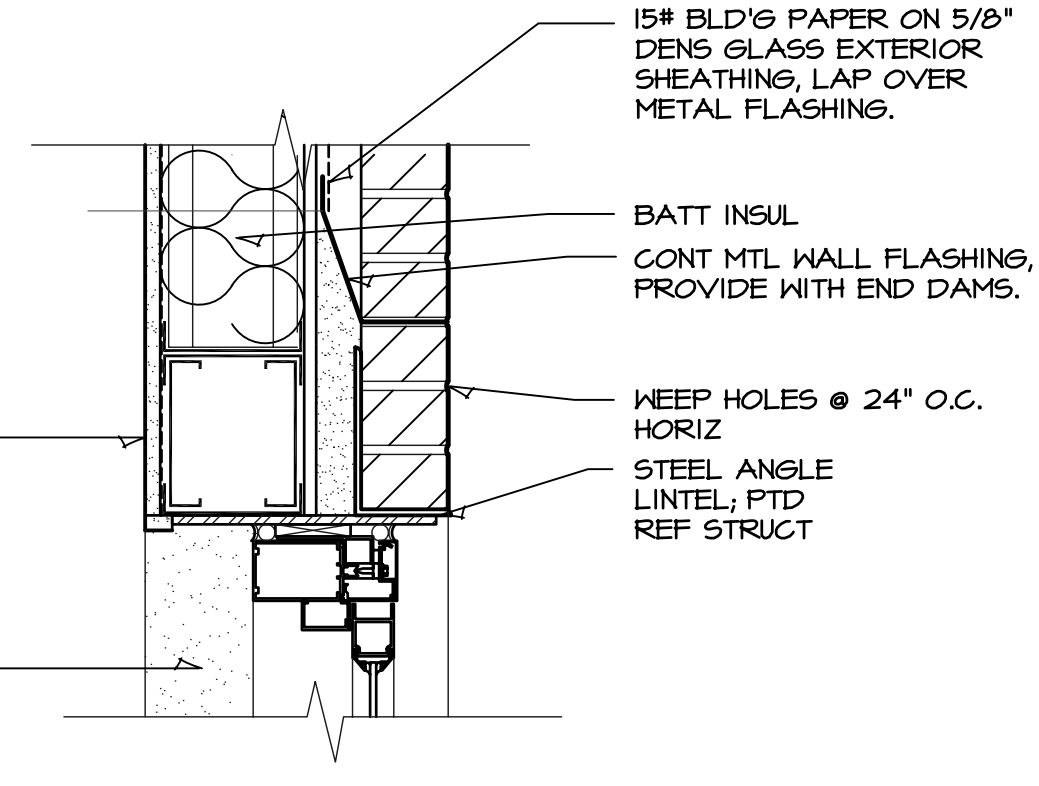
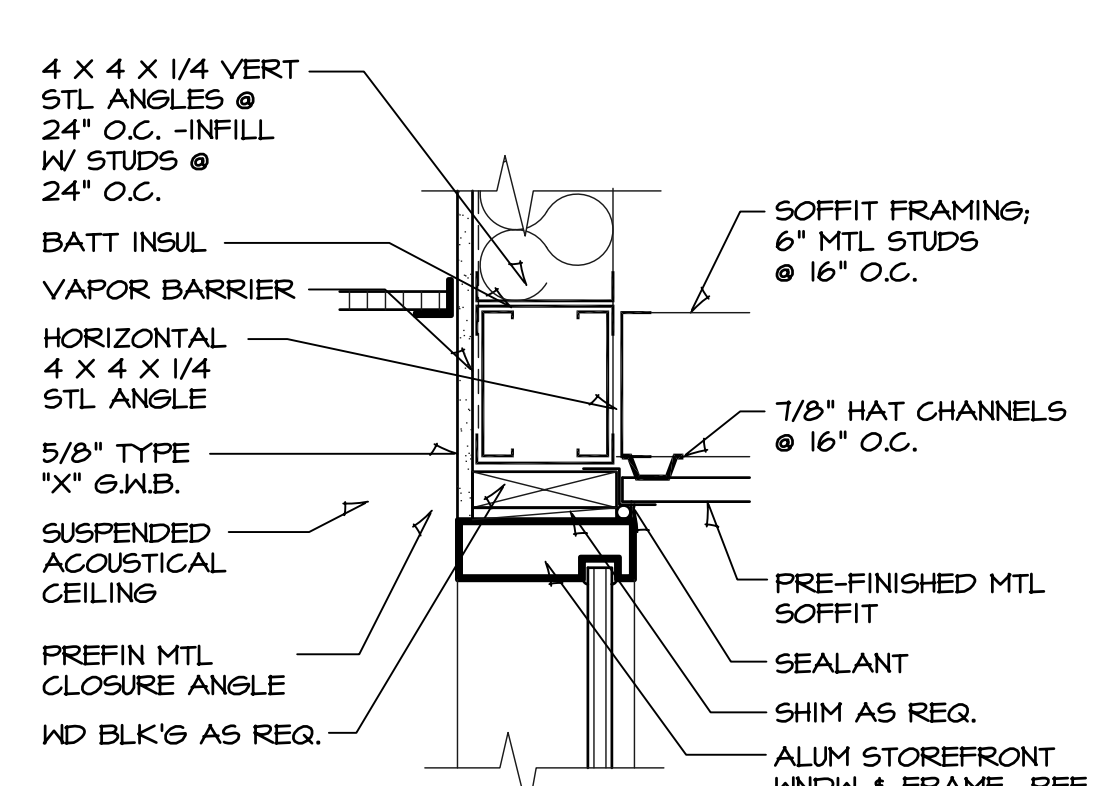


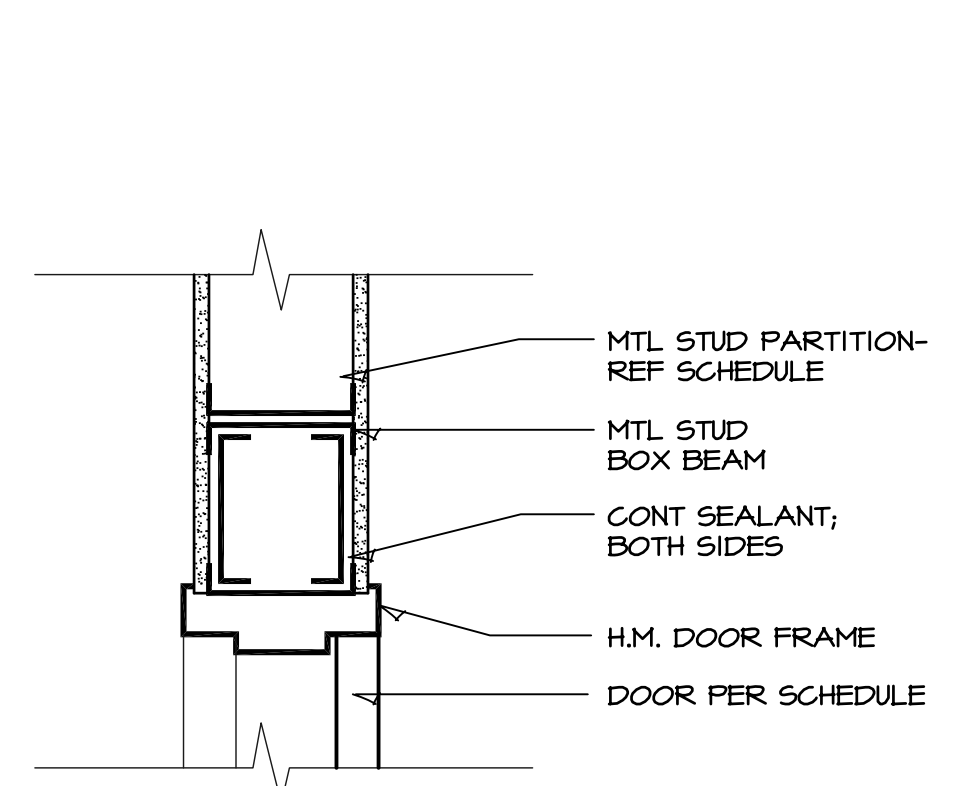
1 WINDOW HEAD
 SCALE: 1 1/2" = 1'-0"



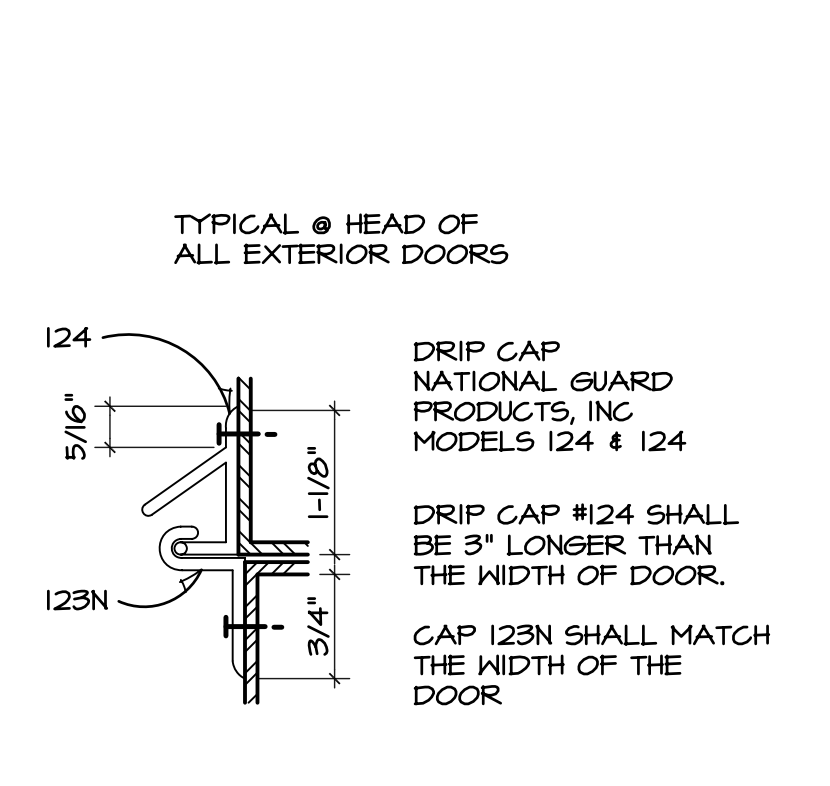
2 DOOR HEAD
 SCALE: 1 1/2" = 1'-0"



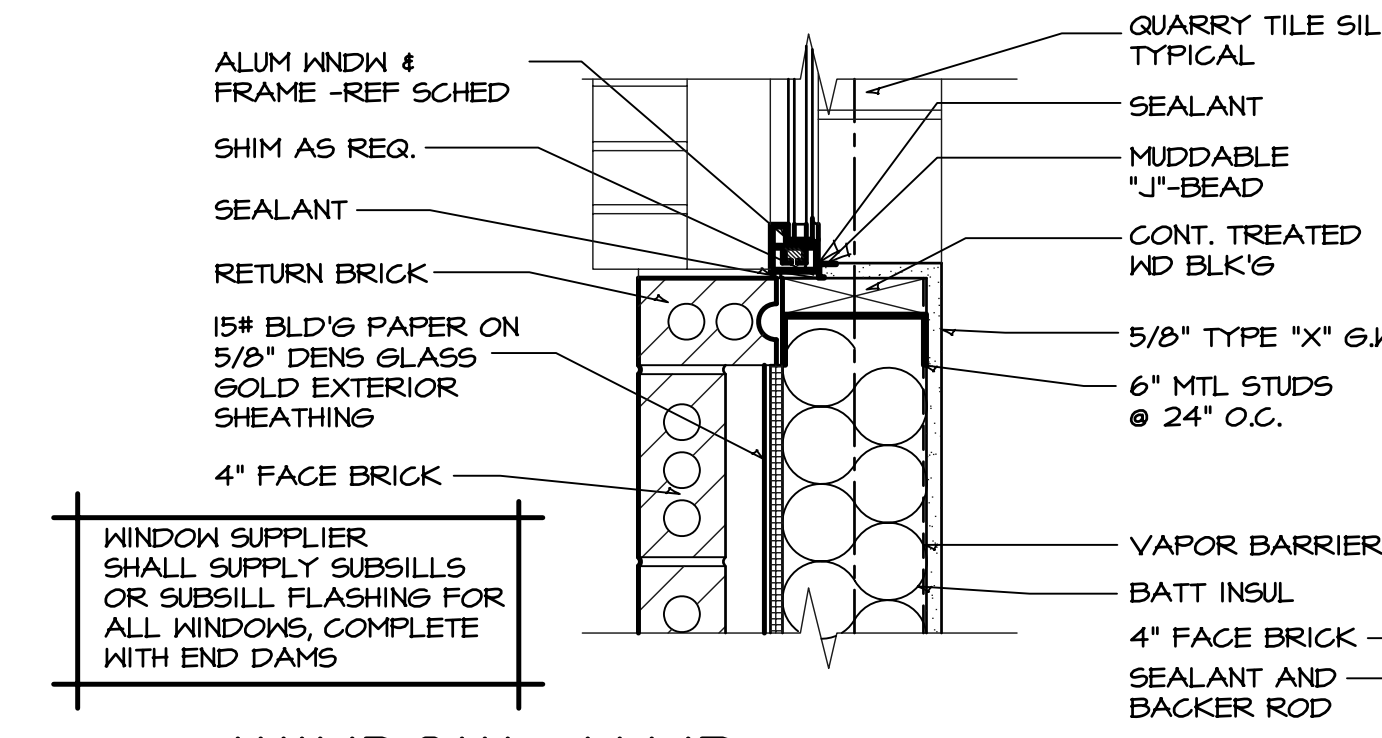
3 WINDOW HEAD
 SCALE: N.T.S.



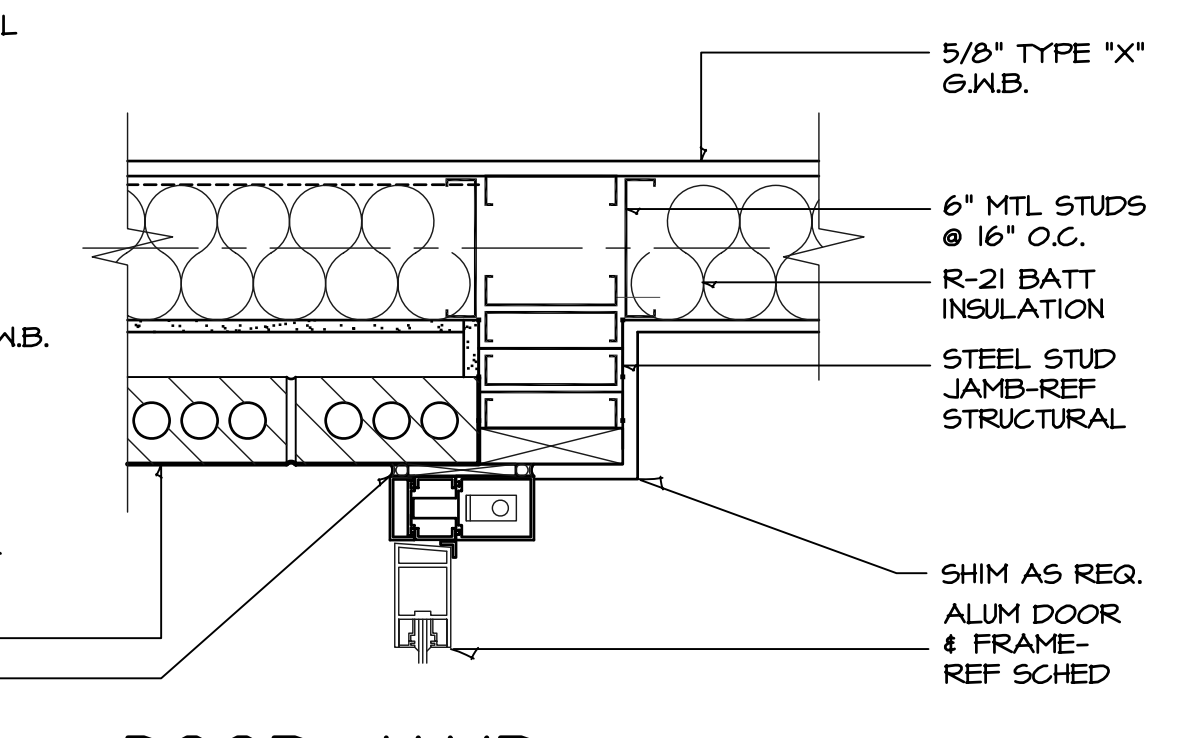
4 DOOR HEAD
 SCALE: 1 1/2" = 1'-0"



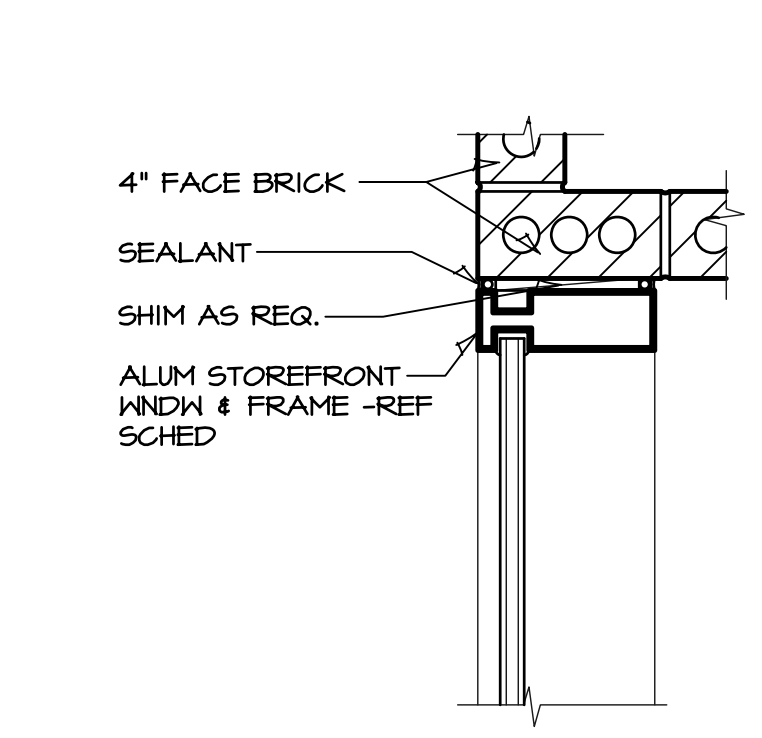
5 DRIP CAP
 SCALE: 1 1/2" = 1'-0"



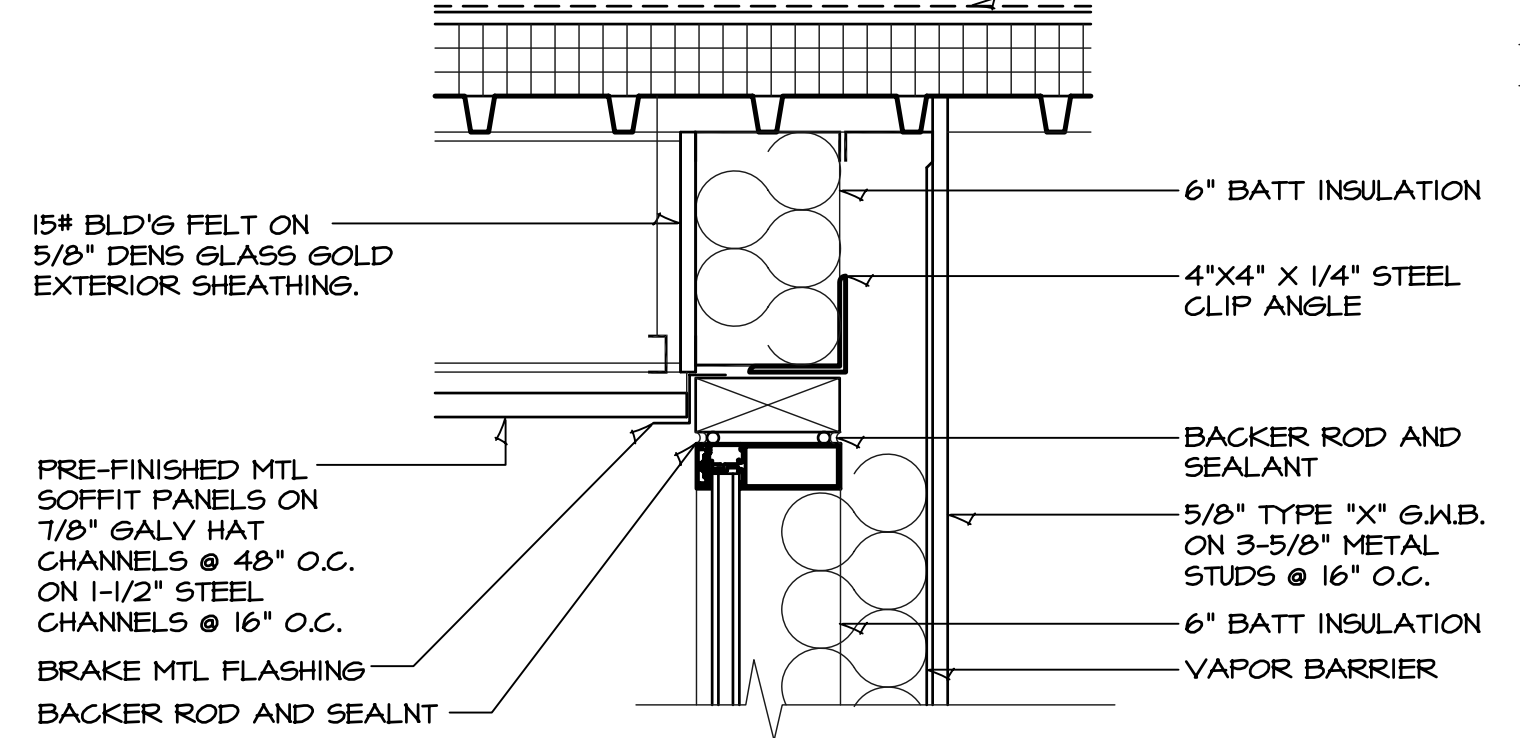
6 WINDOW JAMB
 SCALE: 1 1/2" = 1'-0"



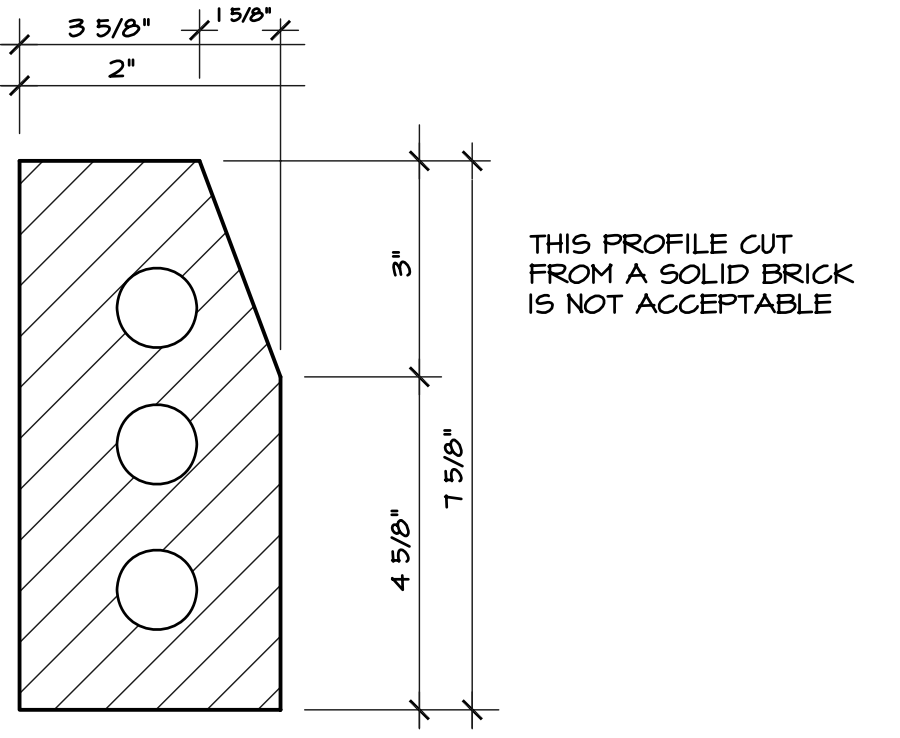
7 DOOR JAMB
 SCALE: 1 1/2" = 1'-0"



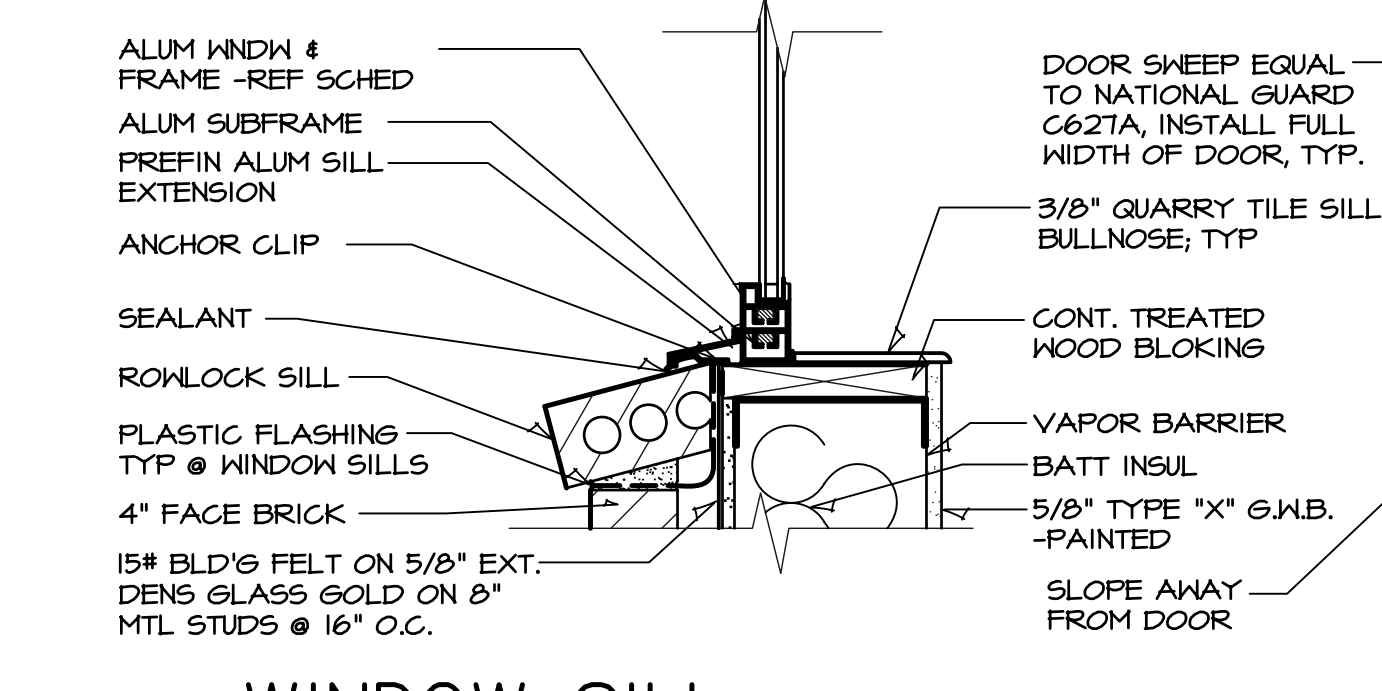
8 WINDOW JAMB
 SCALE: 1 1/2" = 1'-0"



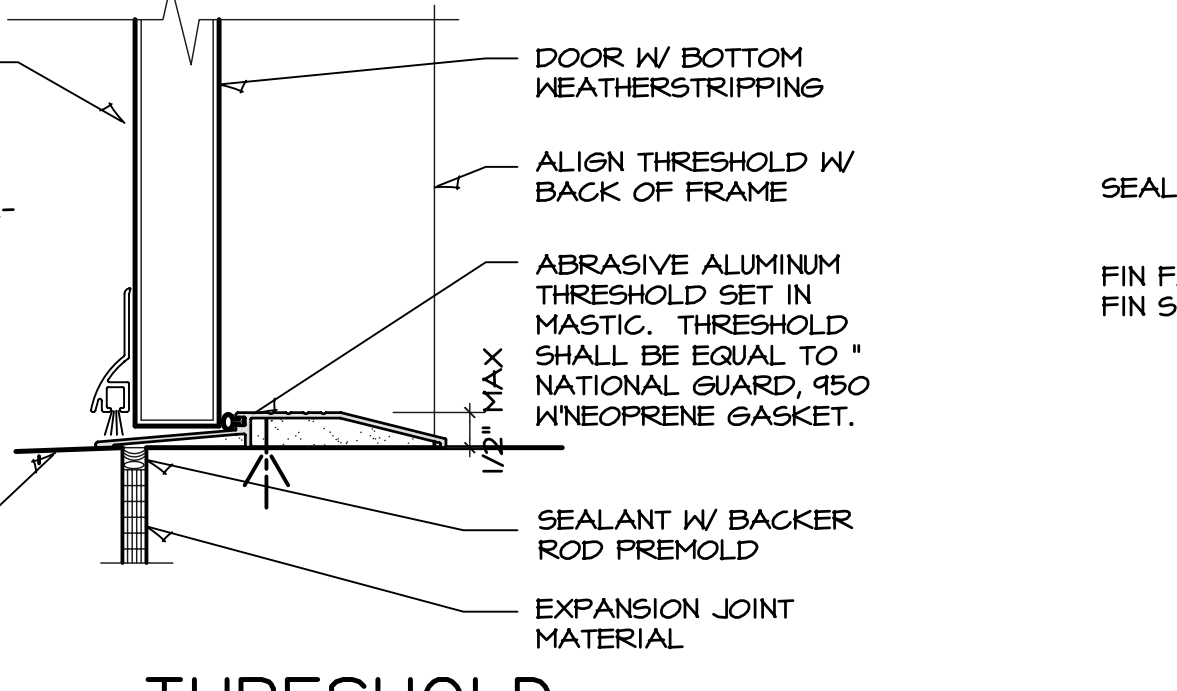
9 WINDOW HEAD
 SCALE: 1 1/2" = 1'-0"



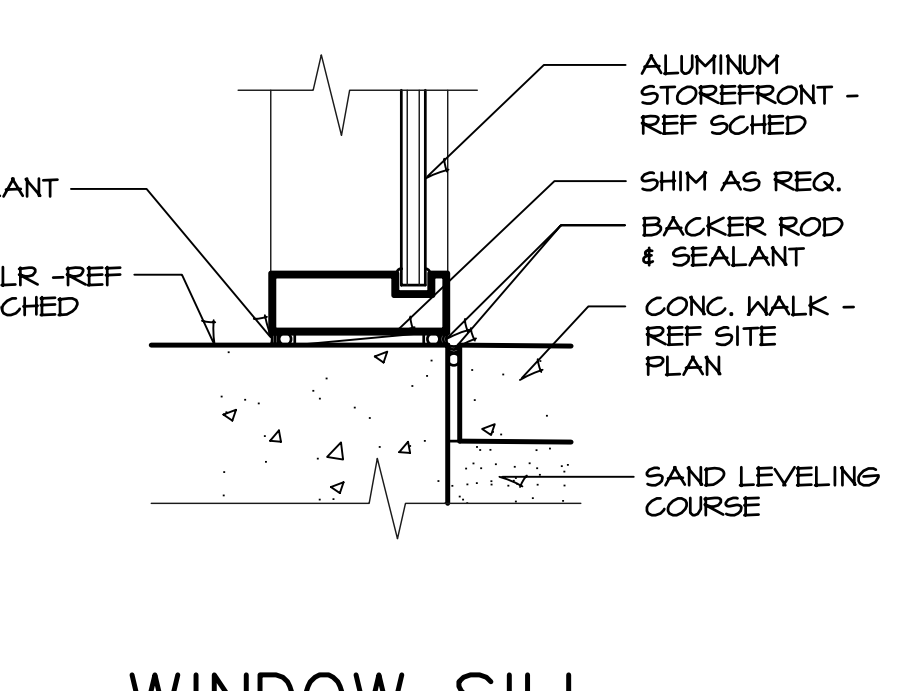
10 SILL BRICK
 N.T.S.



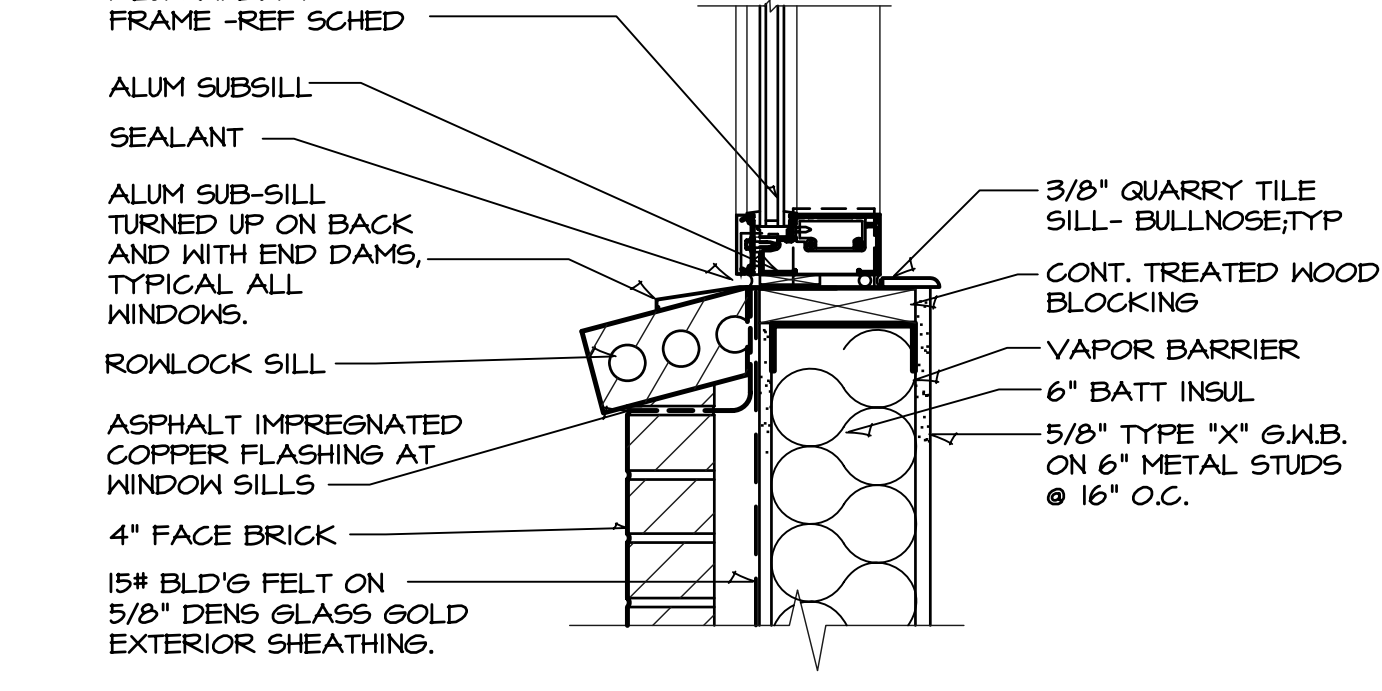
11 WINDOW SILL
 SCALE: 1 1/2" = 1'-0"



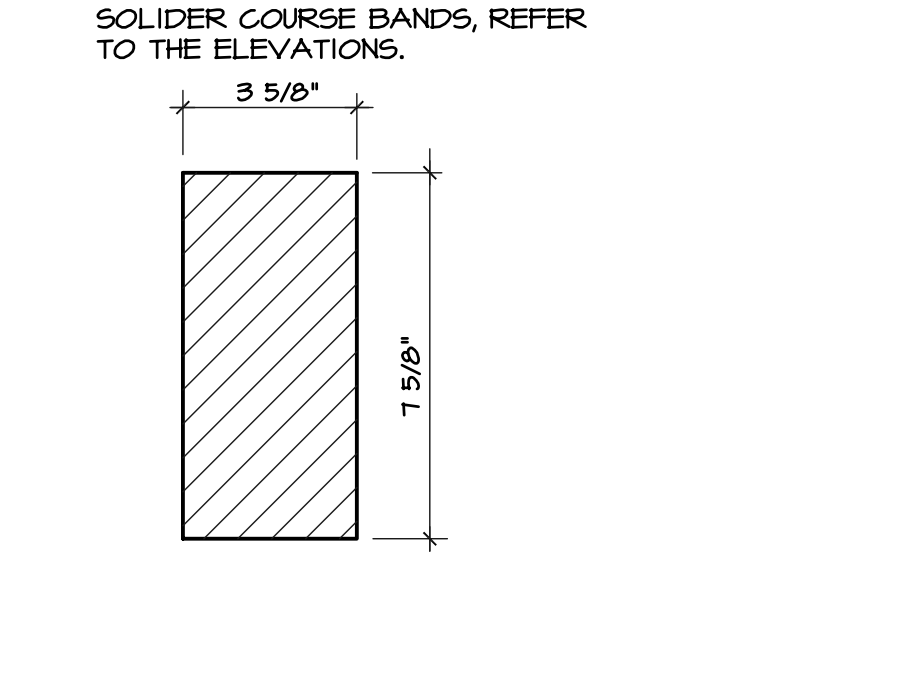
12 THRESHOLD
 SCALE: 1 1/2" = 1'-0"



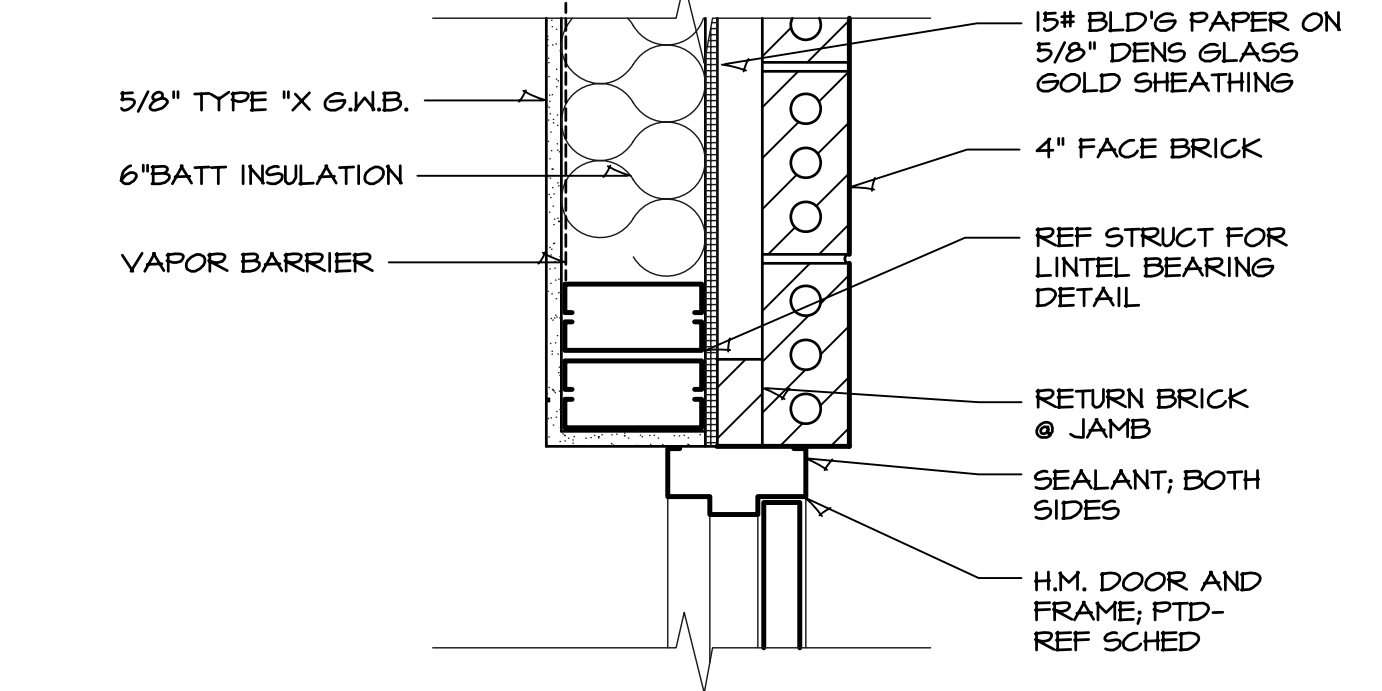
13 WINDOW SILL
 SCALE: 1 1/2" = 1'-0"



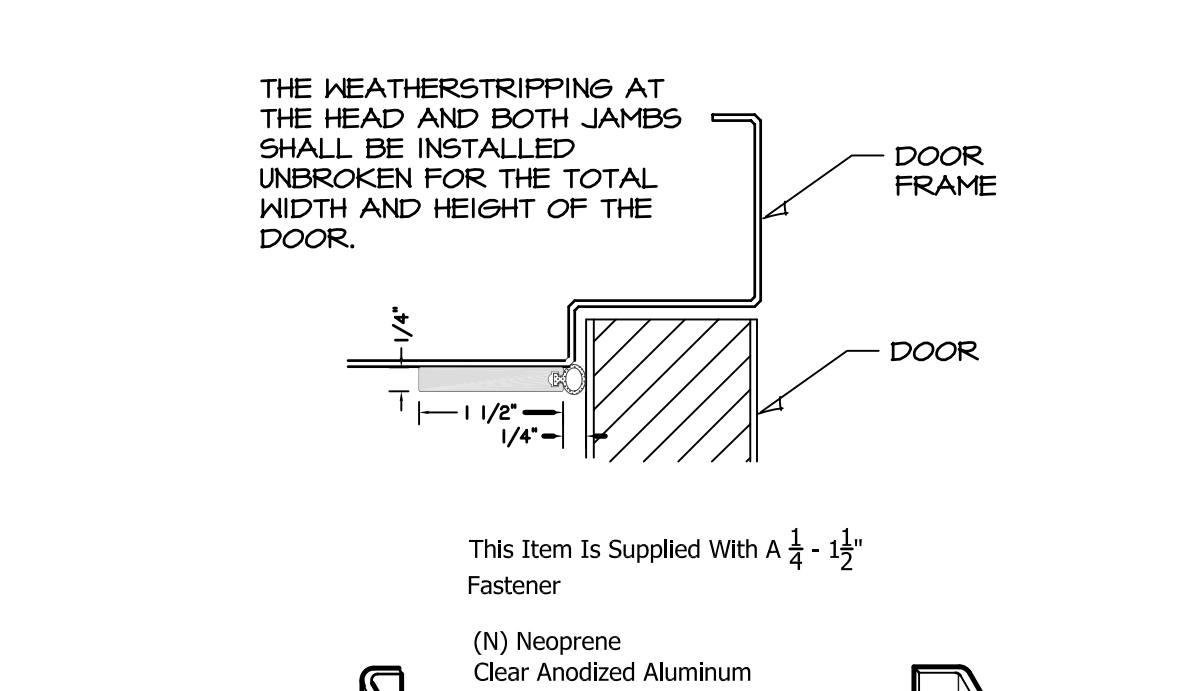
14 WINDOW SILL
 SCALE: 1 1/2" = 1'-0"



15 BRICK DETAIL
 SCALE: 3" = 1'-0"



16 DOOR JAMB
 SCALE: 1 1/2" = 1'-0"



17 DOOR JAMB
 N.T.S.

DRAWINGS ISSUED		
NO.	DATE	ITEM ISSUED
3	10/17	ADDENDUM #1
2	9/30	ISSUED FOR BIDS
1	9/26	REVIEW

COMPUTER DRAWING
 323AH307.DWG

DATE: SEPTEMBER 2008
 DRAWN BY: J.P., TH., CH., BS. CHECKED BY: MH

SHEET
A3.5
 OF 1 SHEETS