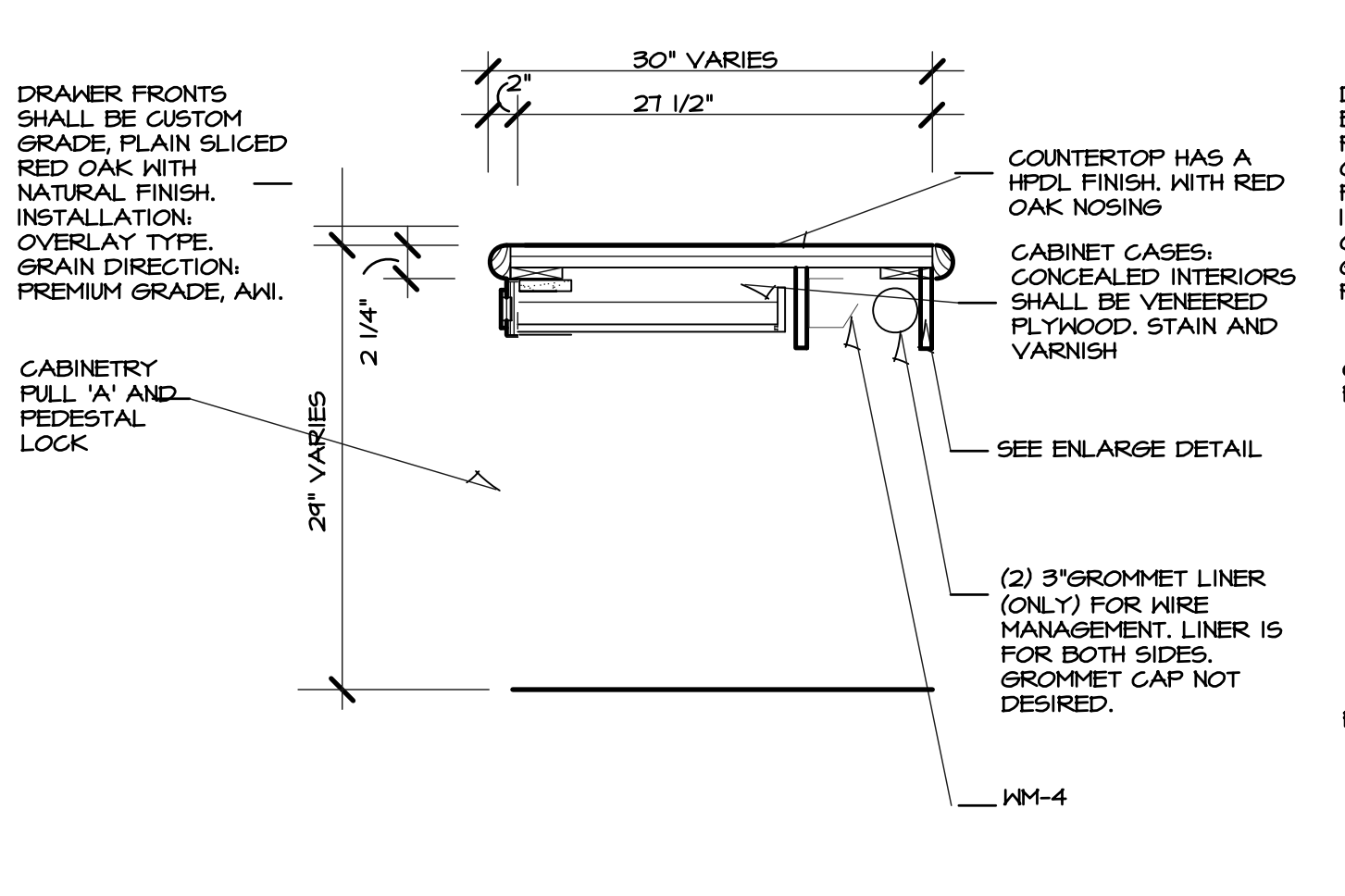
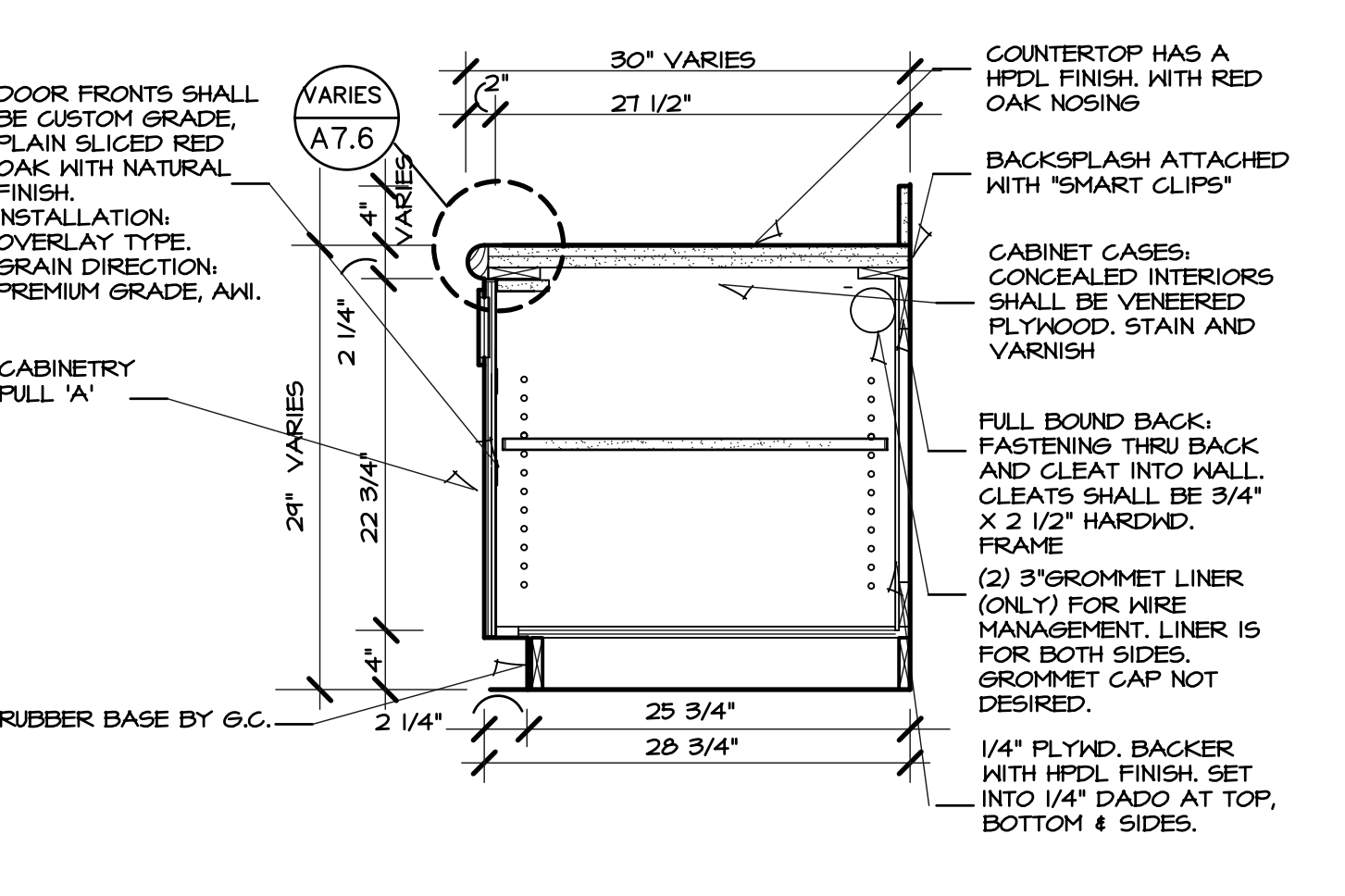


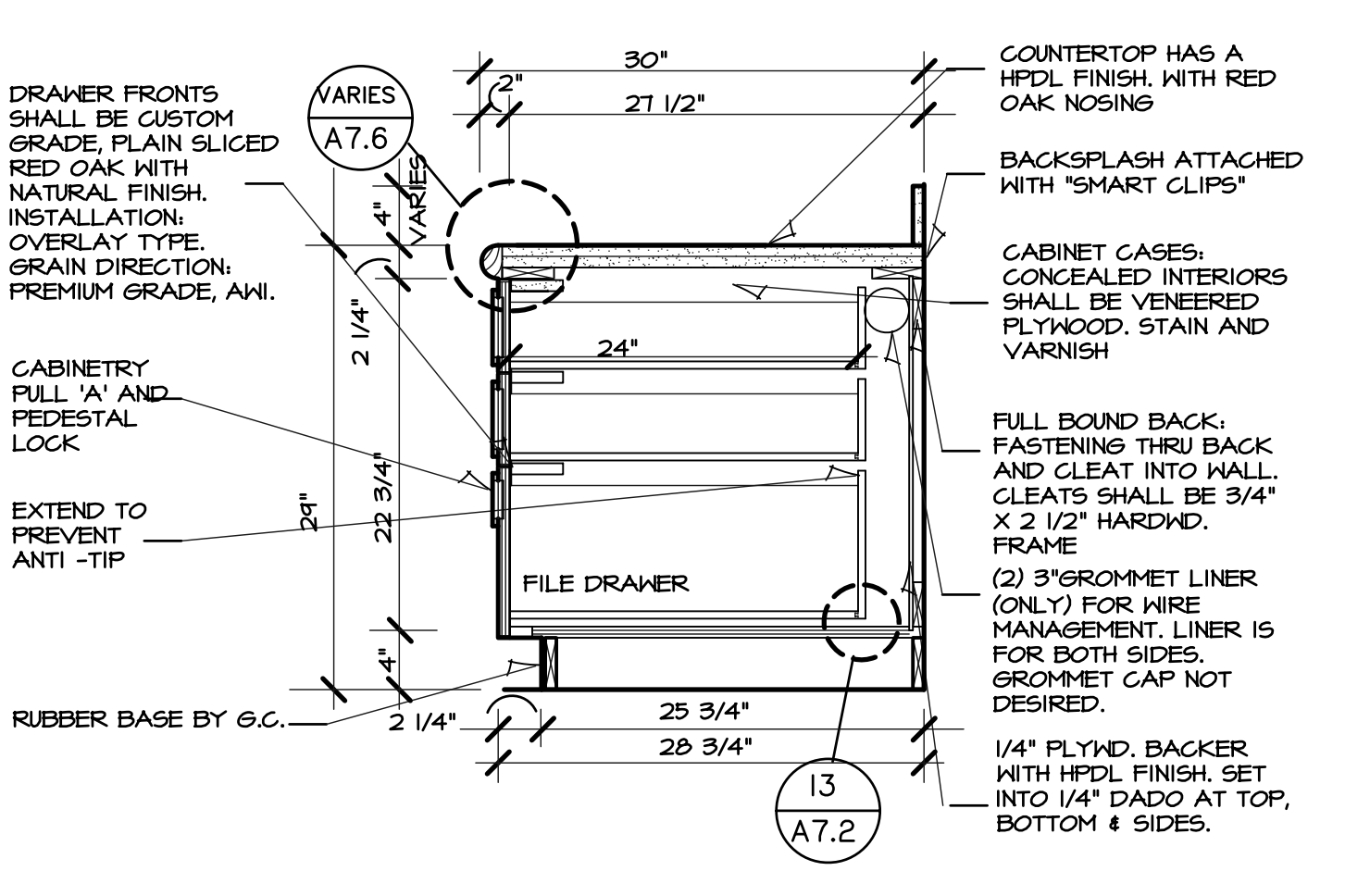
SECTION  
**1 FILE DRAWER BASE**  
 SCALE 1" = 1'-0"



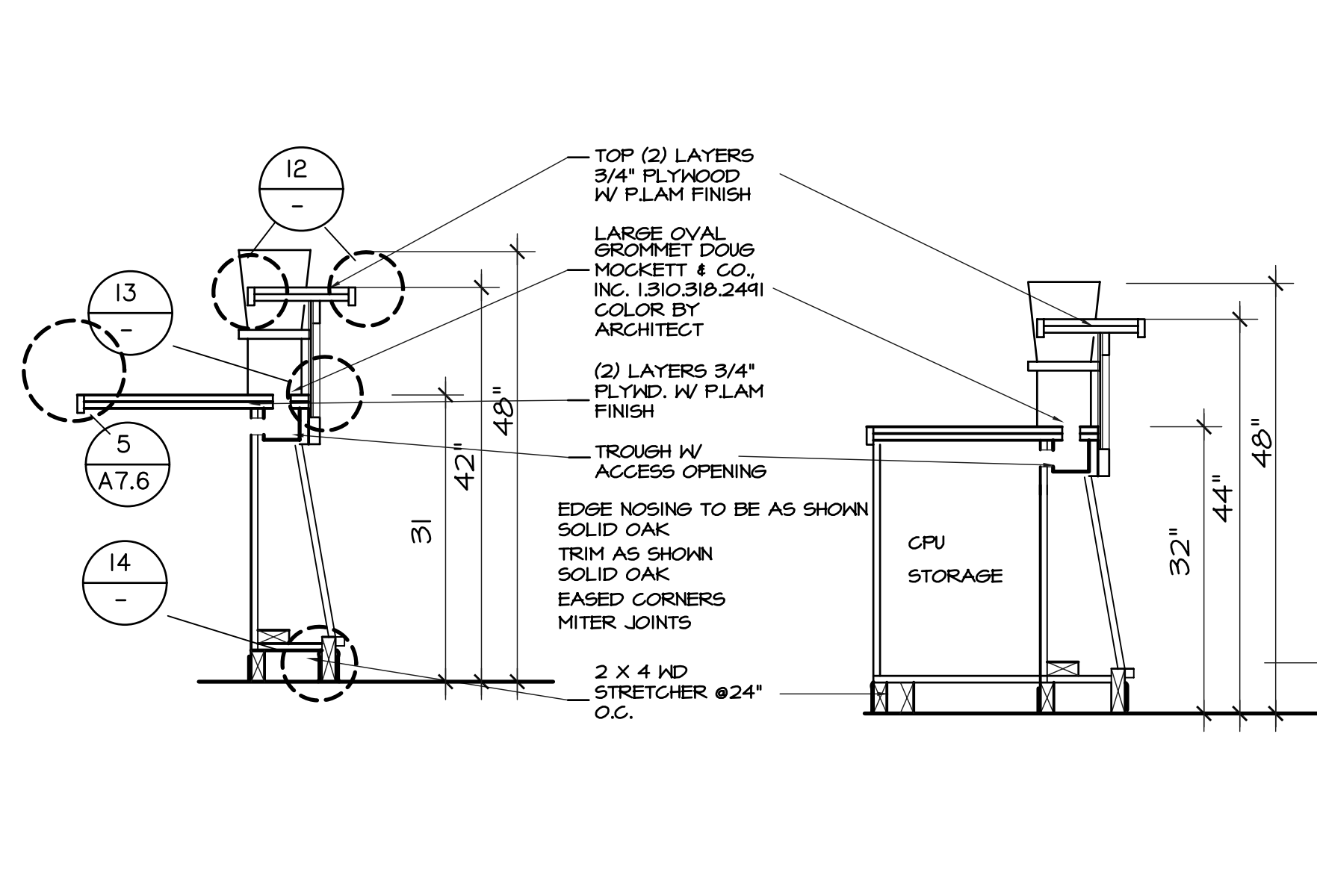
SECTION  
**2 PENCIL DRAWER**  
 SCALE 1" = 1'-0"



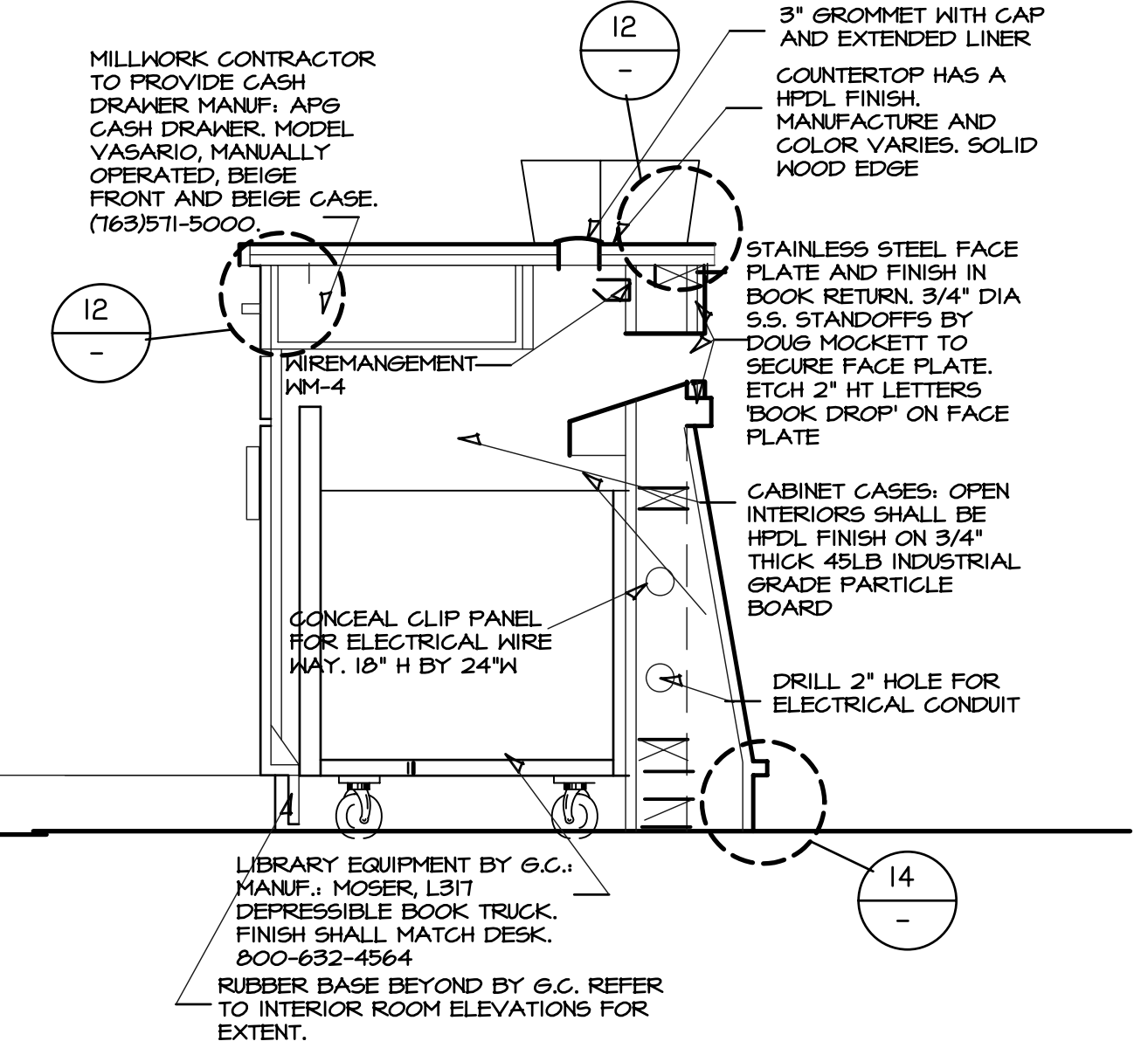
SECTION  
**3 DOOR BASE @ STATION**  
 SCALE 1" = 1'-0"



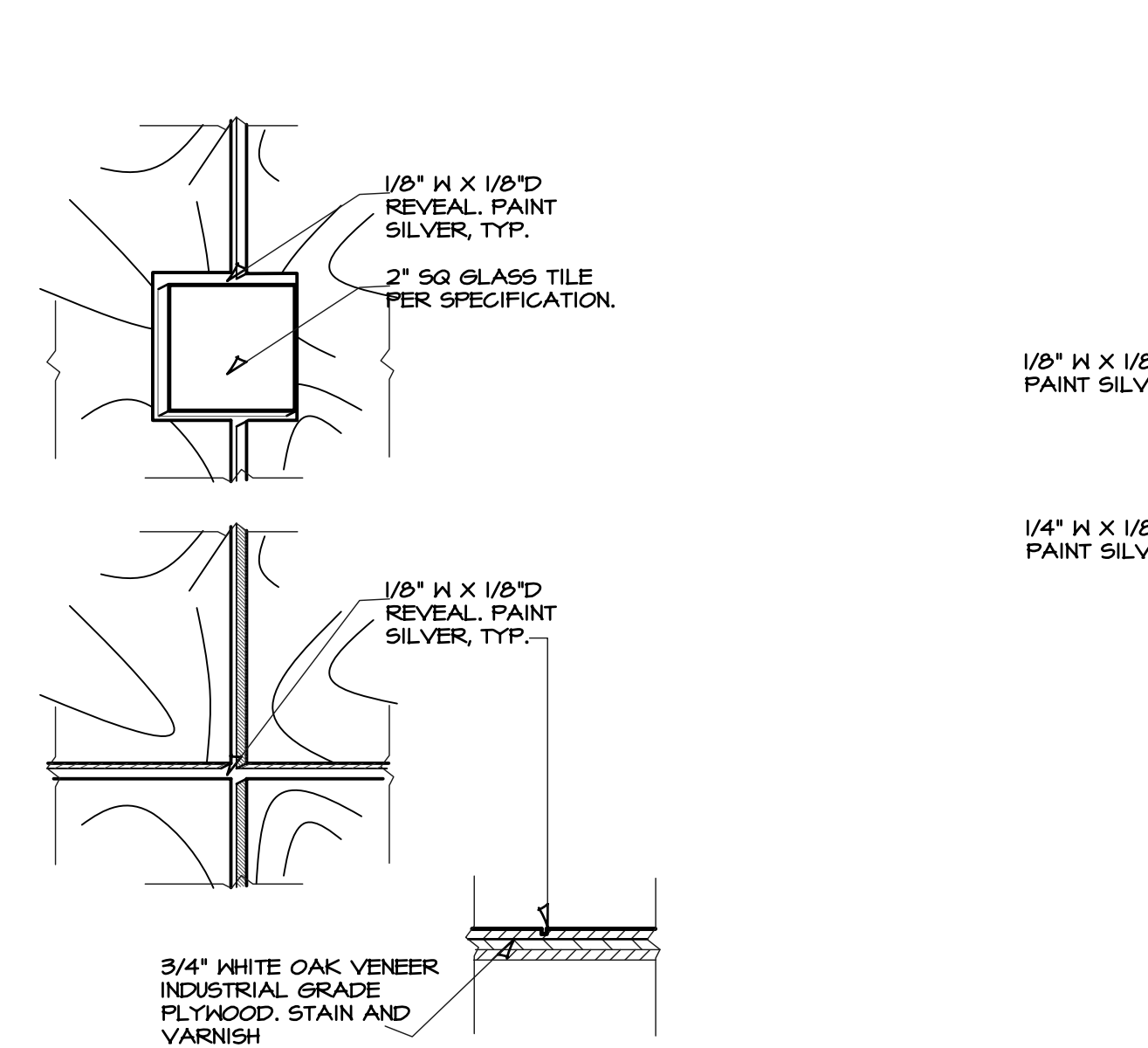
SECTION  
**4 DRW CAB: BOX BOX FILE**  
 SCALE 1" = 1'-0"



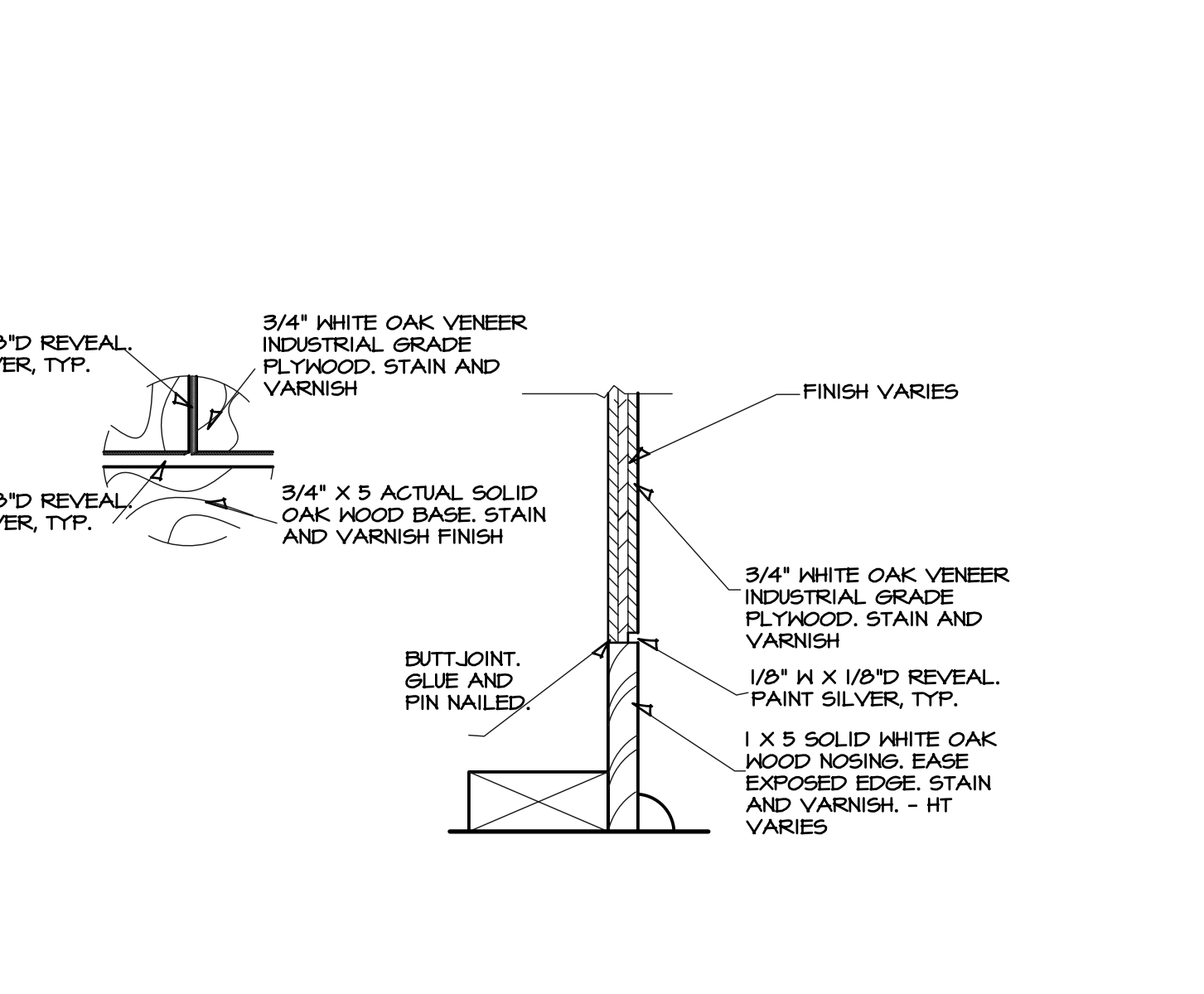
SECTION  
**5 CHARGE DESK WALL**  
 SCALE 3/4" = 1'-0"



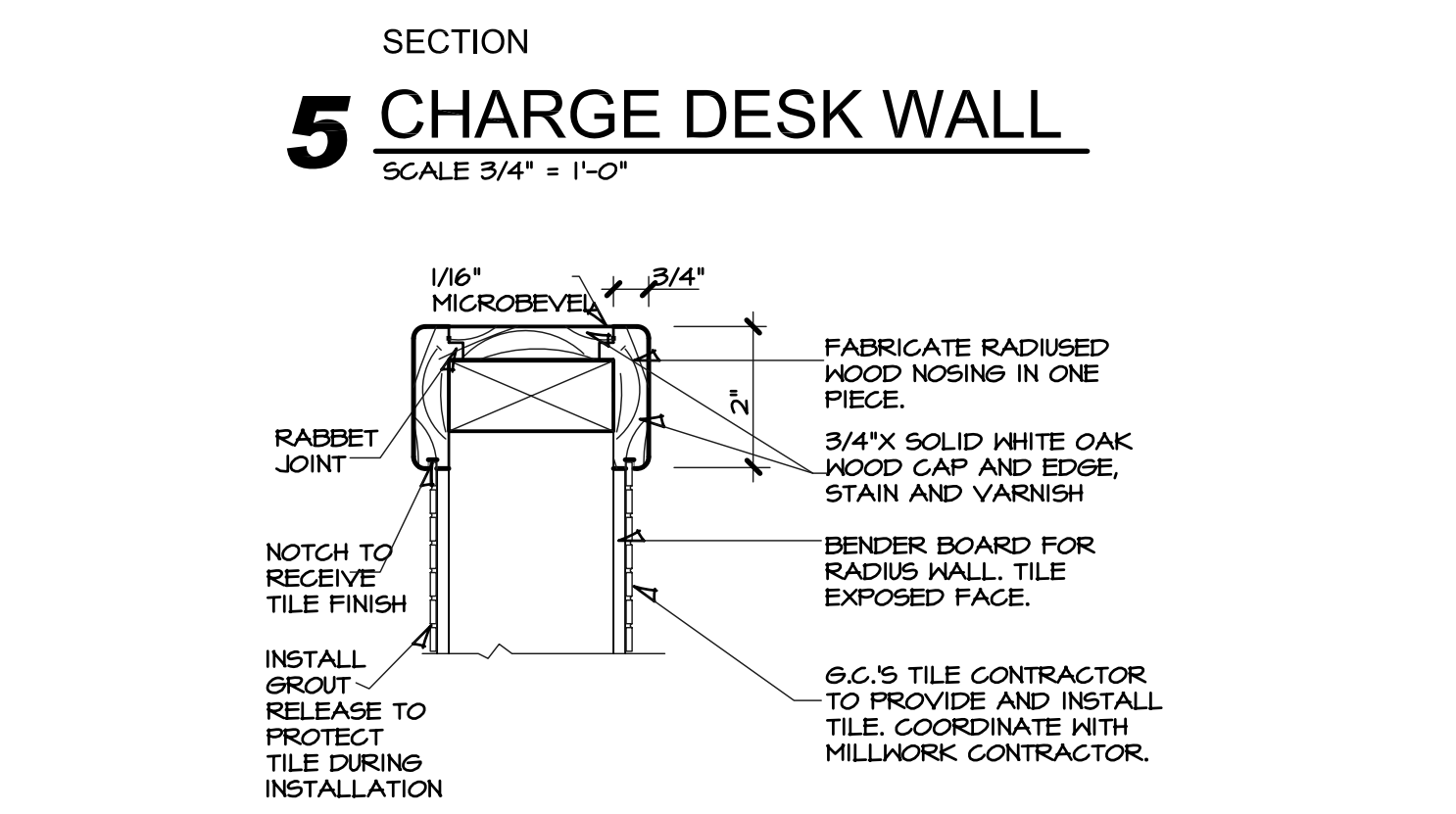
SECTION  
**6 BOOK RETURN**  
 SCALE 1" = 1'-0"



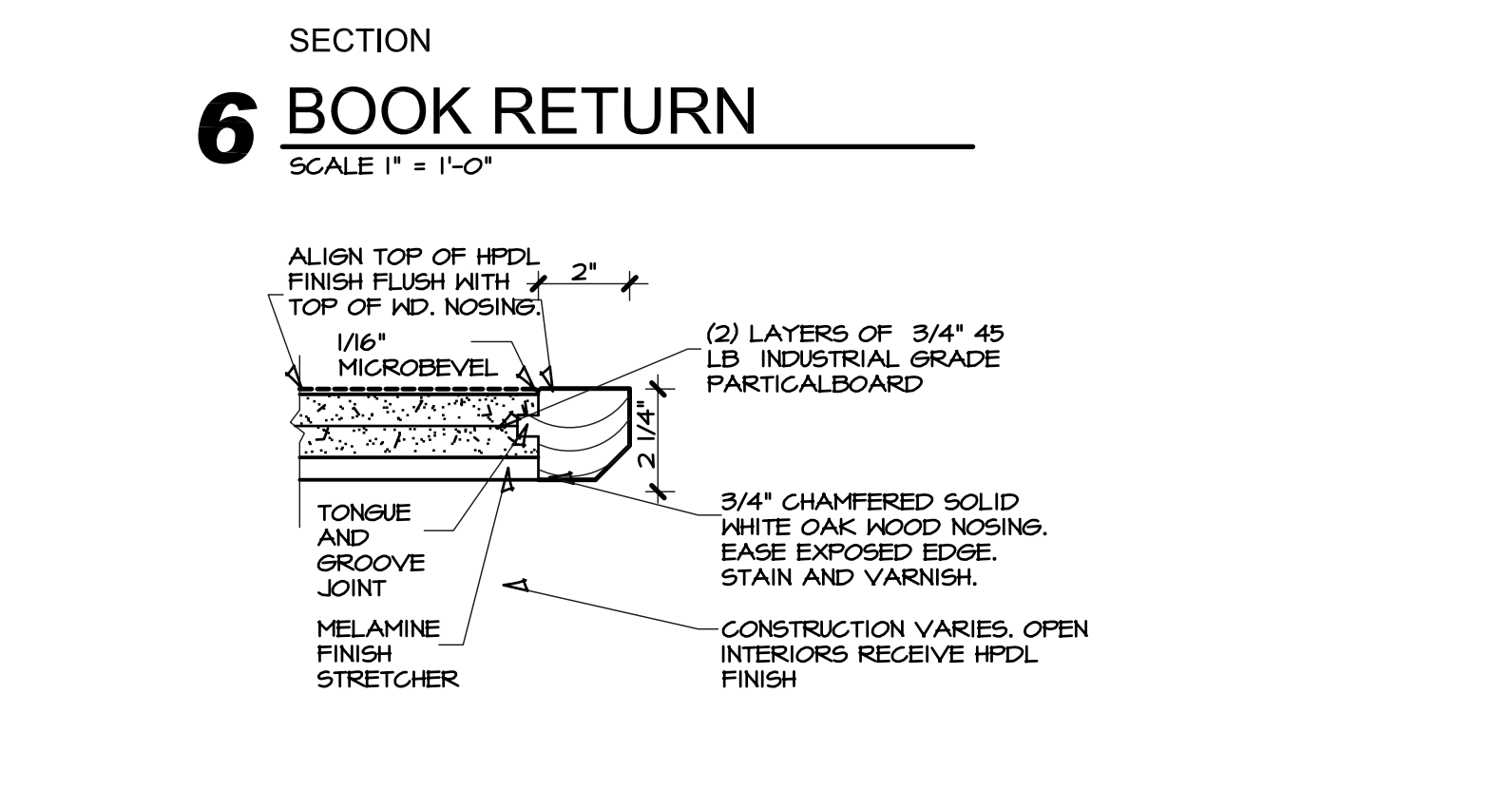
SECTION  
**7 REVEAL**  
 SCALE 3" = 1'-0"



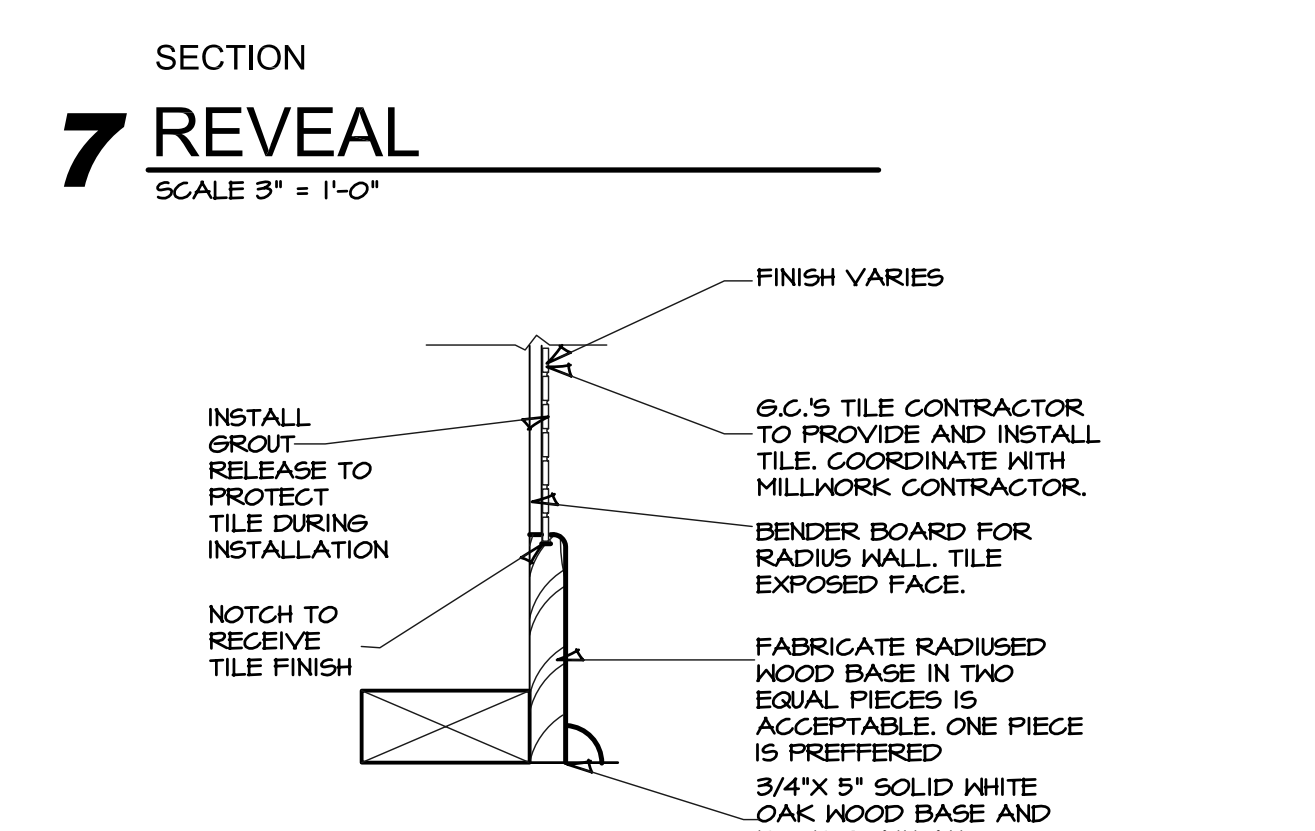
SECTION  
**8 BASE WITH REVEAL**  
 SCALE 3" = 1'-0"



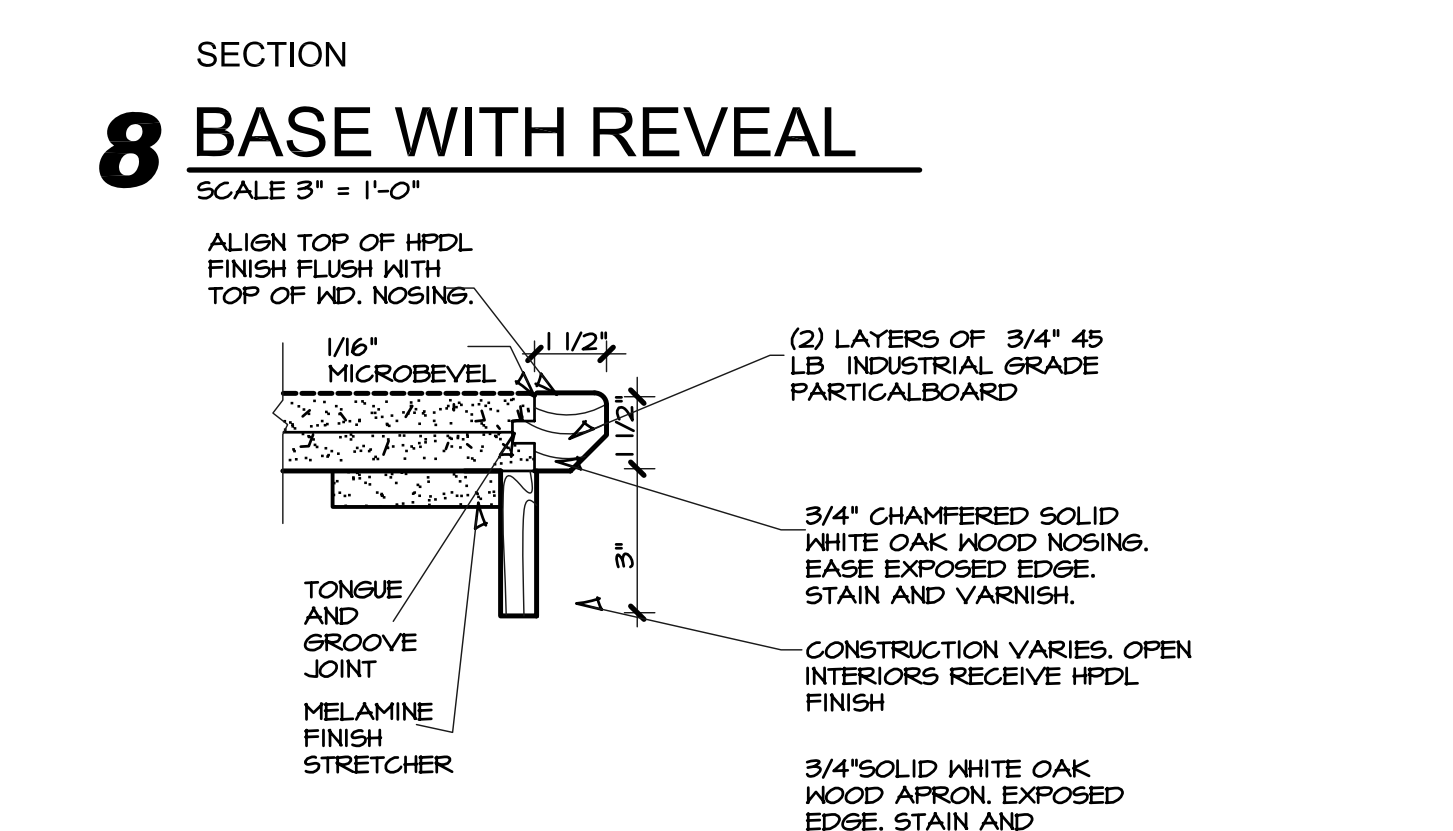
SECTION  
**9 WOOD CAP**  
 SCALE 3" = 1'-0"



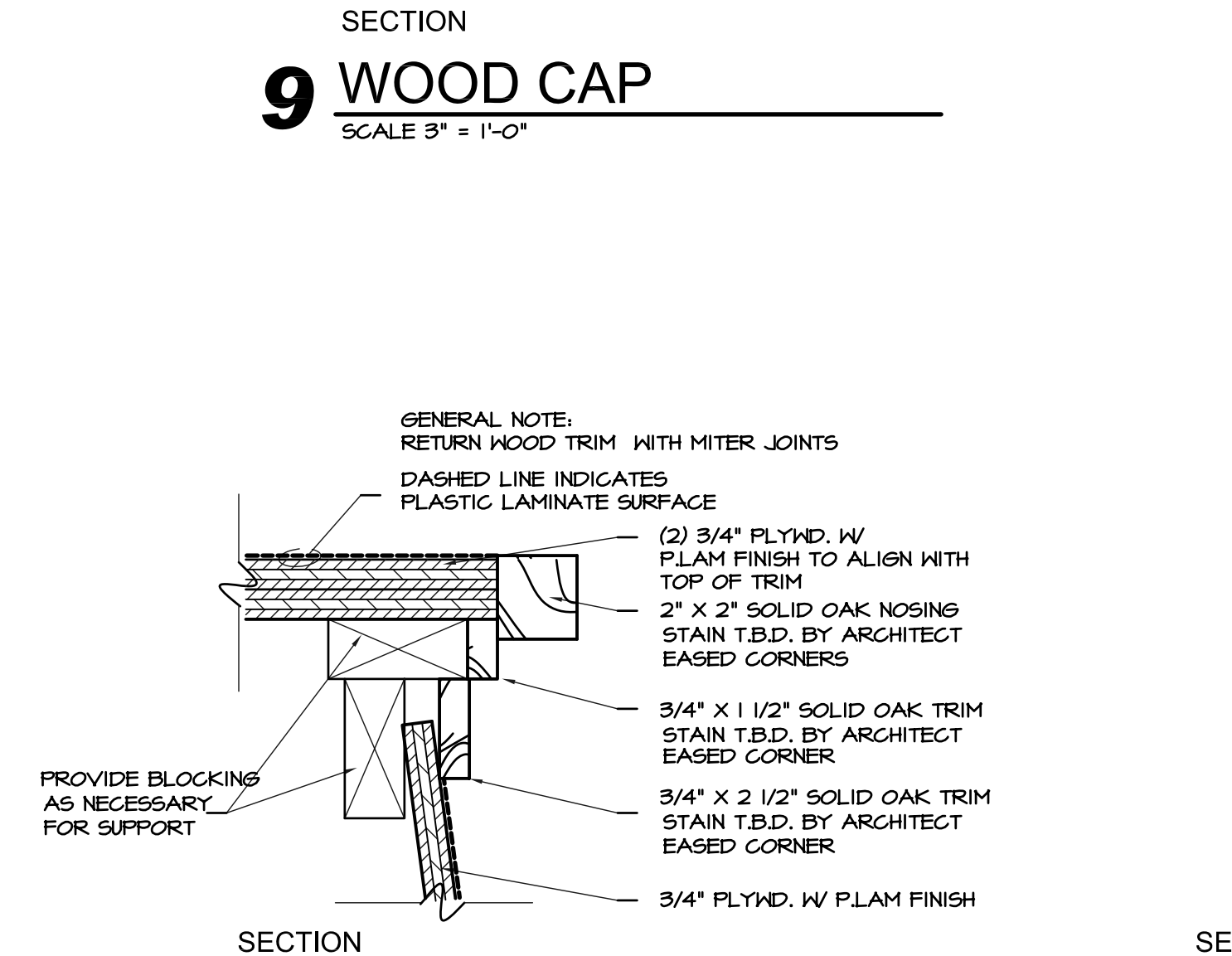
SECTION  
**10 CHARGE DESK NOSING**  
 SCALE 3" = 1'-0"



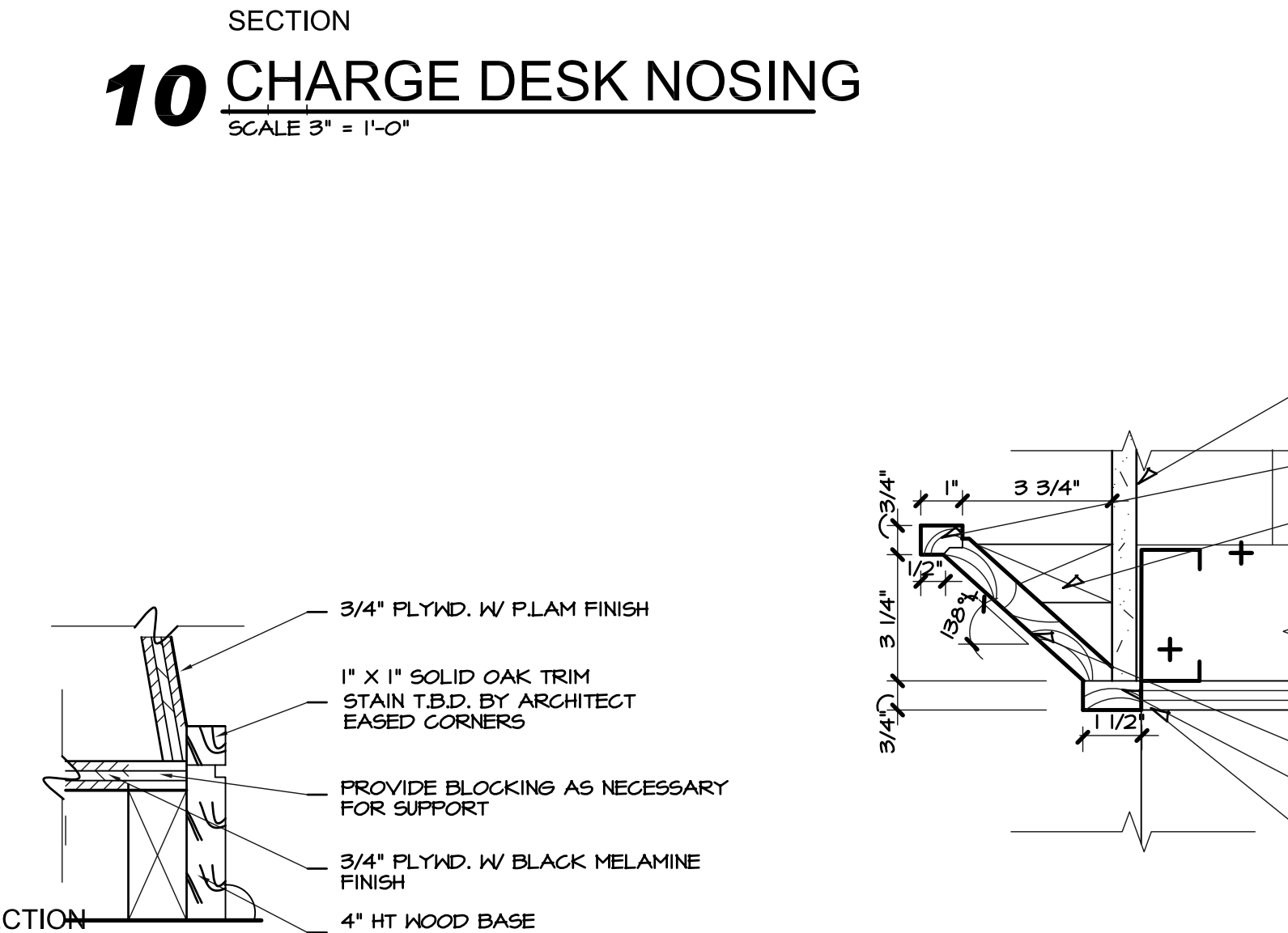
SECTION  
**11 BASE AT TILE WALL**  
 SCALE 3" = 1'-0"



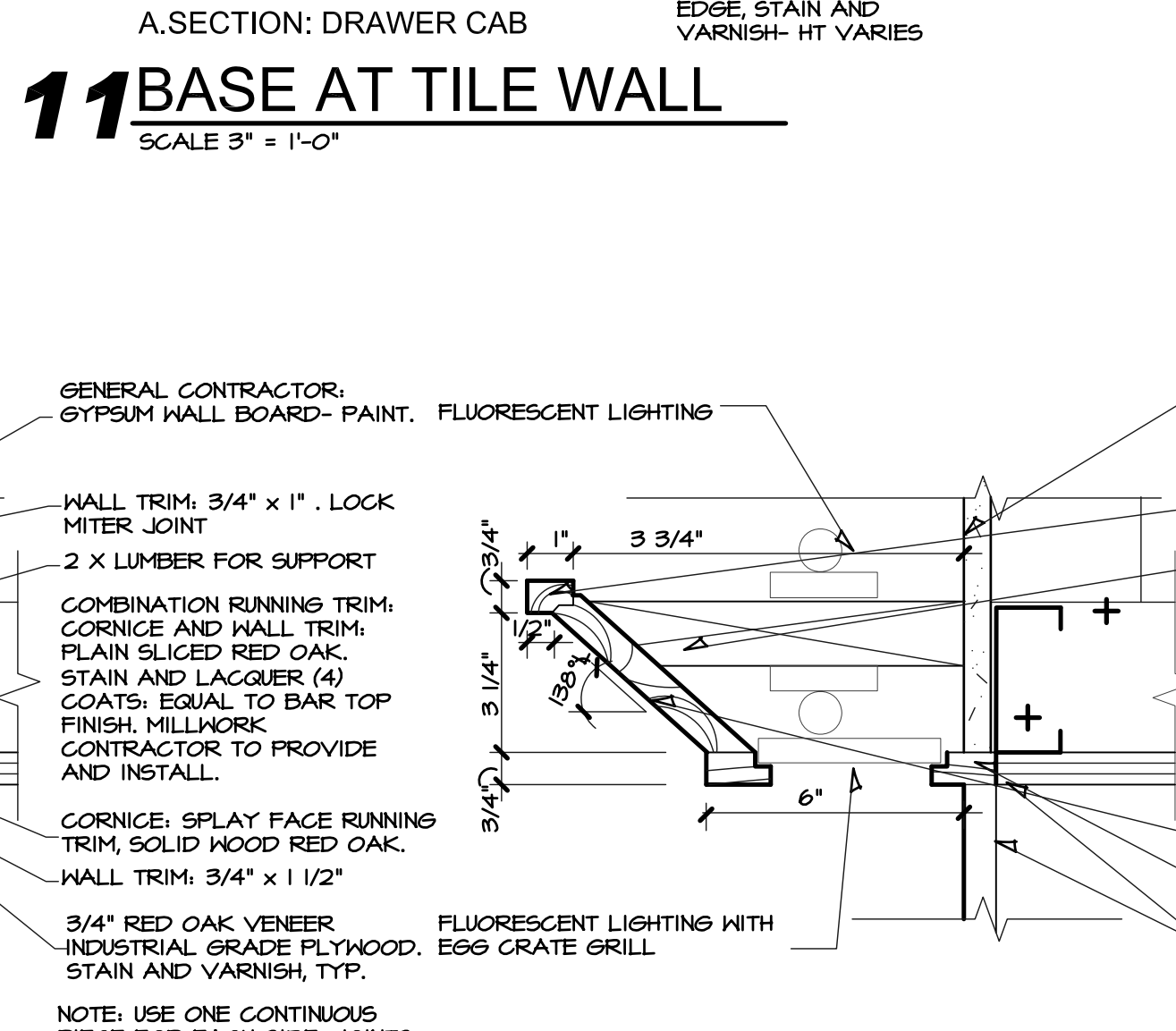
SECTION  
**12 COUNTERTOP NOSING**  
 SCALE 3" = 1'-0"



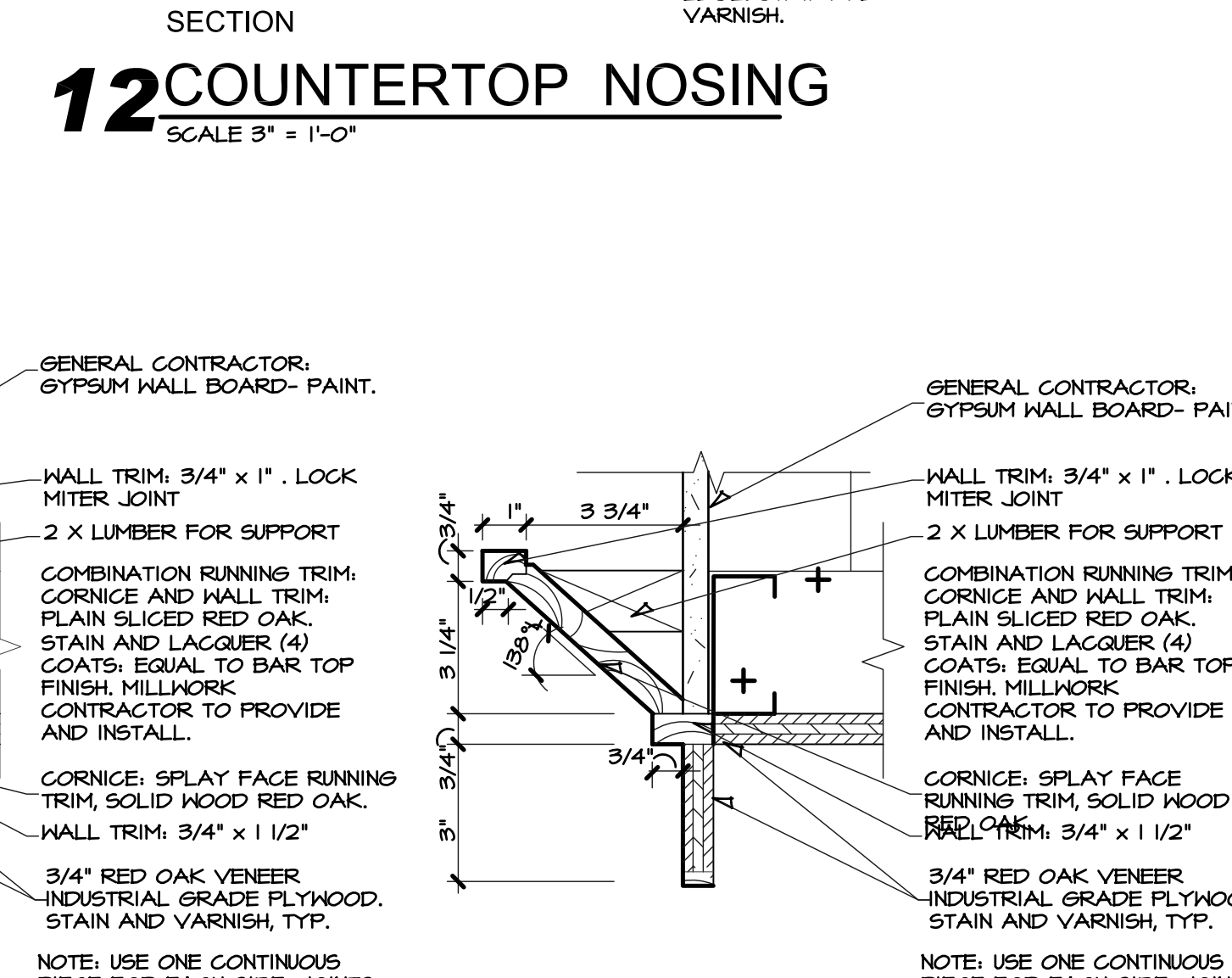
SECTION  
**13 CHARGE DESK NOSING**  
 SCALE 3" = 1'-0"



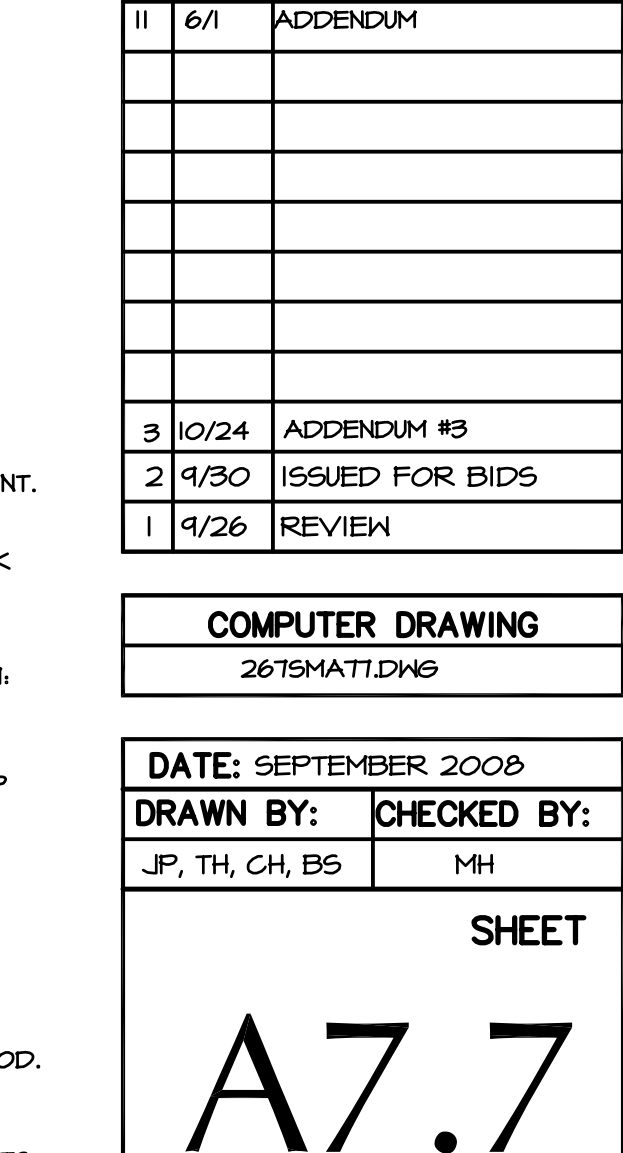
SECTION  
**14 CHARGE DESK BASE**  
 SCALE 3" = 1'-0"



SECTION  
**15 RUNNING TRIM**  
 SCALE 3" = 1'-0"



SECTION  
**16 RUNNING TRIM**  
 SCALE 3" = 1'-0"



SECTION  
**17 RUNNING TRIM**  
 SCALE 3" = 1'-0"

**2008**  
 ST. MARK'S CHARTER SCHOOL REMODEL  
 ST. MARK'S, KANSAS  
 RENWICK UNIFIED SCHOOL DISTRICT 267

DRAWINGS ISSUED		
NO.	DATE	ITEM ISSUED
11	6/1	ADDENDUM
3	10/24	ADDENDUM #3
2	9/30	ISSUED FOR BIDS
1	9/26	REVIEW

COMPUTER DRAWING  
 267SMATT.DWG

DATE: SEPTEMBER 2008  
 DRAWN BY: J.P, TH, CH, BS  
 CHECKED BY: MH

SHEET  
**A7.7**  
 OF 1 SHEETS