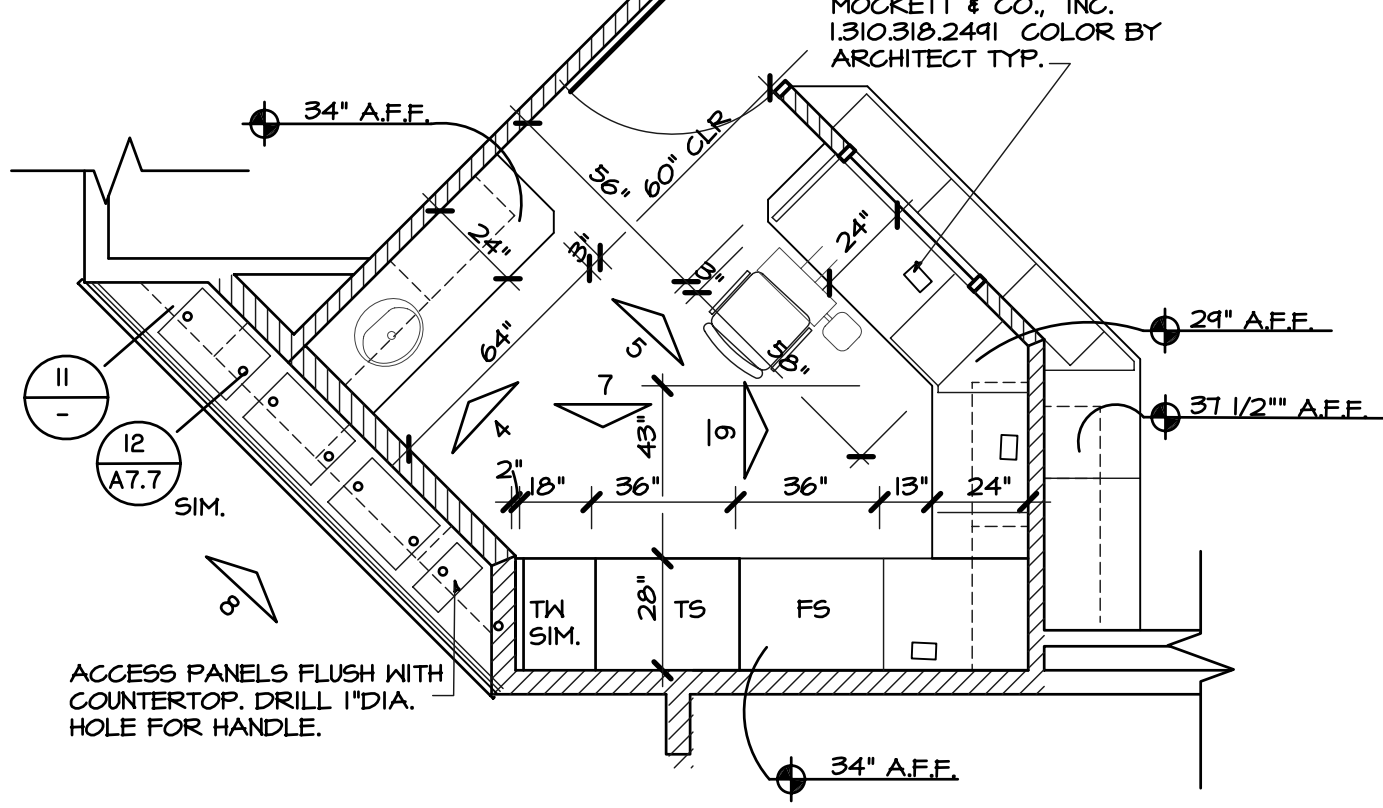
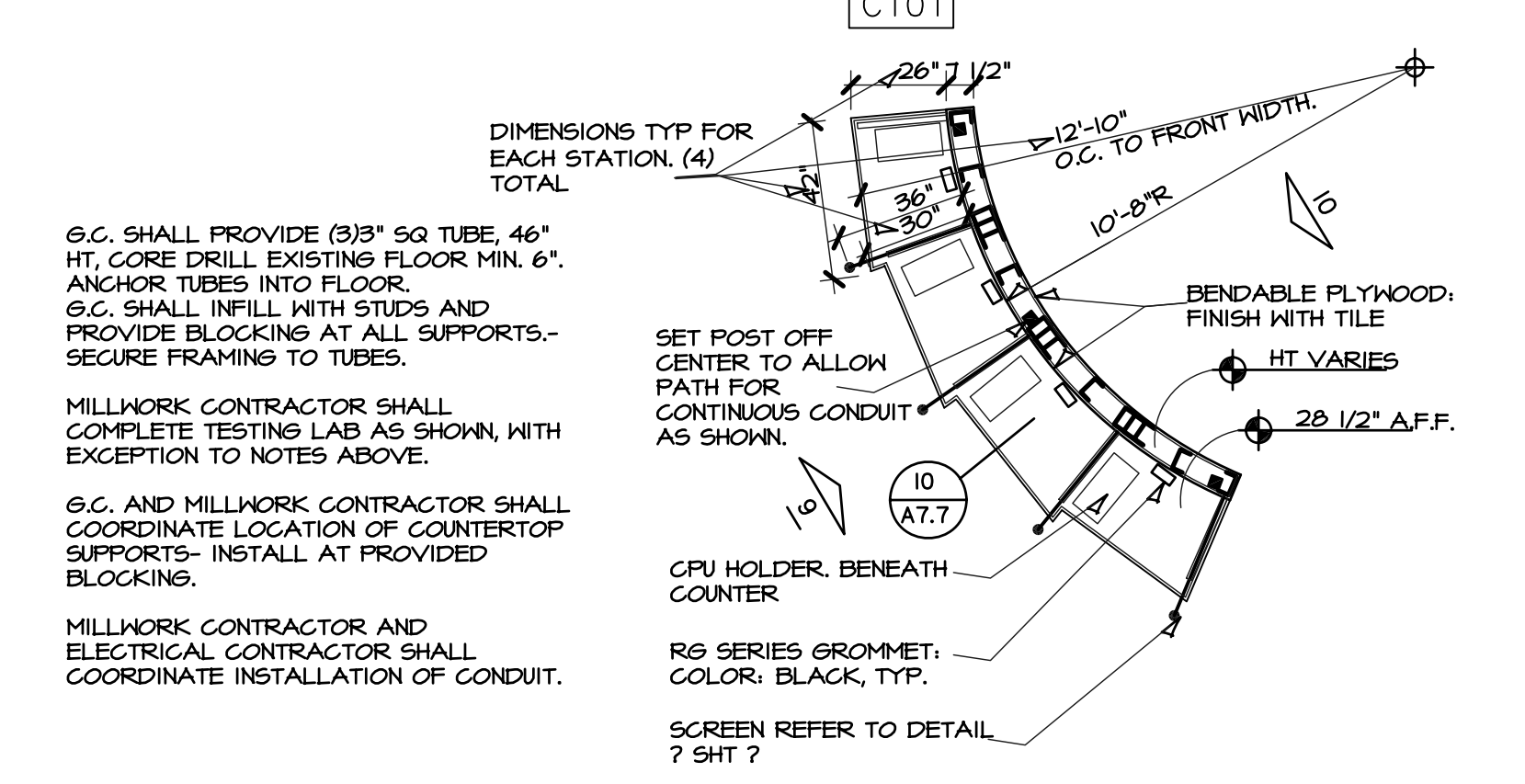


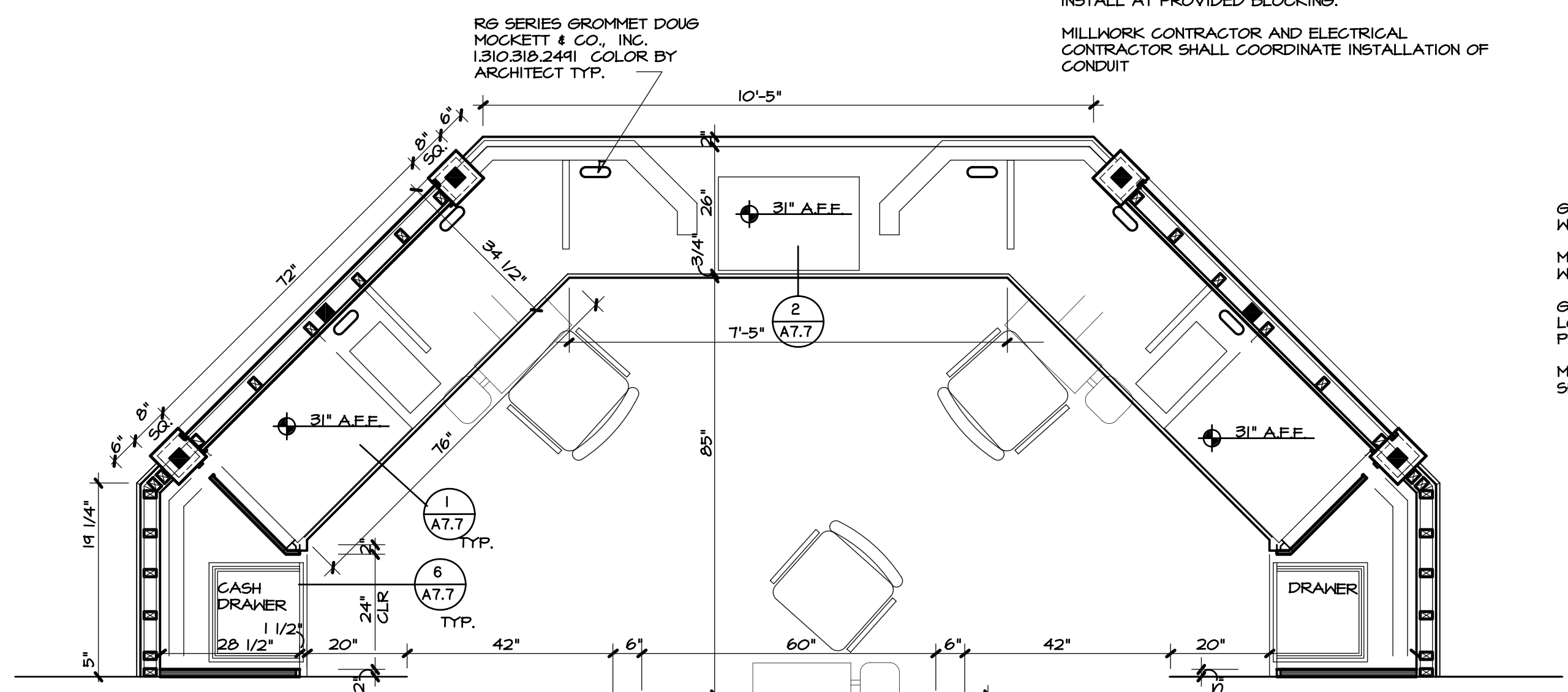
A 1. CABINERY PLAN CHARGE DESK
SCALE 1/2" = 1'-0"



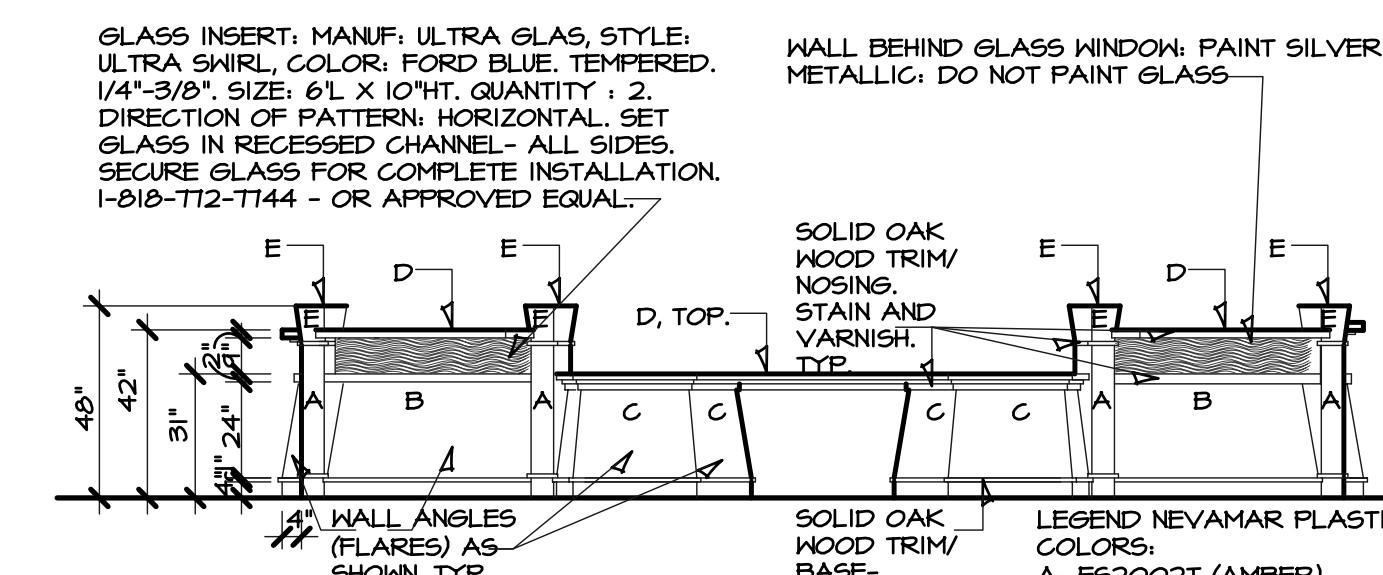
B 1. CABINERY PLAN LIBRARIAN'S DESK
SCALE 1/4" = 1'-0"



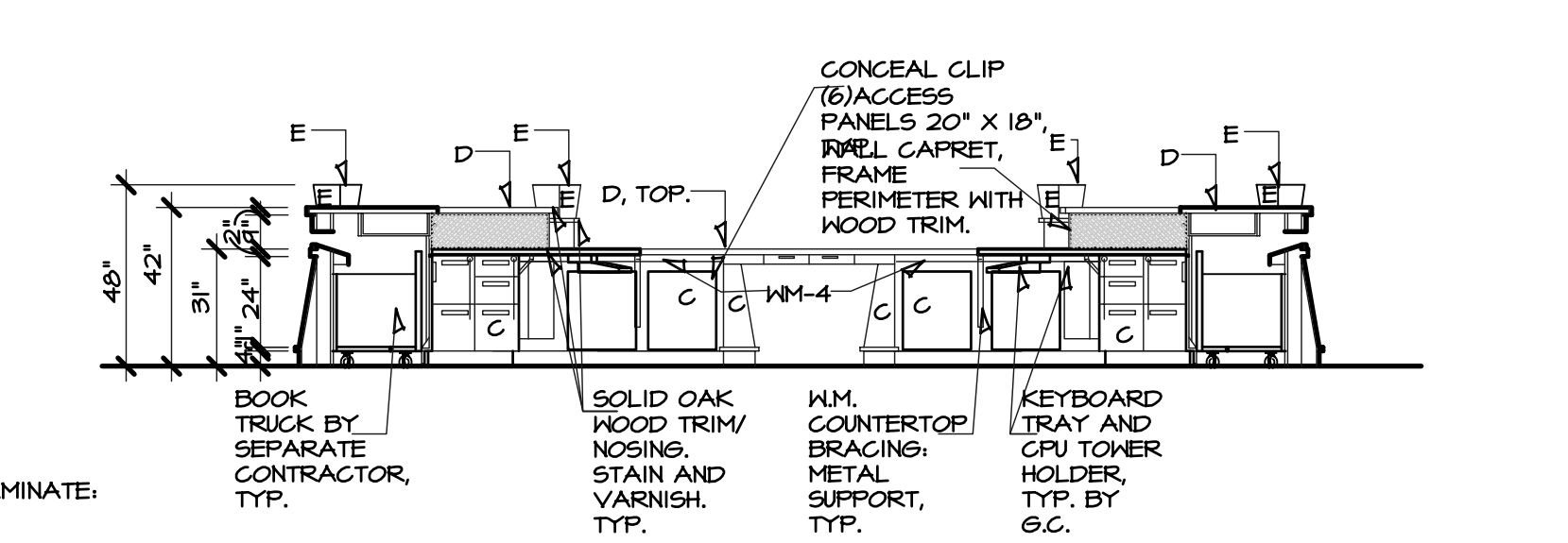
C 1. CABINERY PLAN TESTING LAB
SCALE 1/4" = 1'-0"



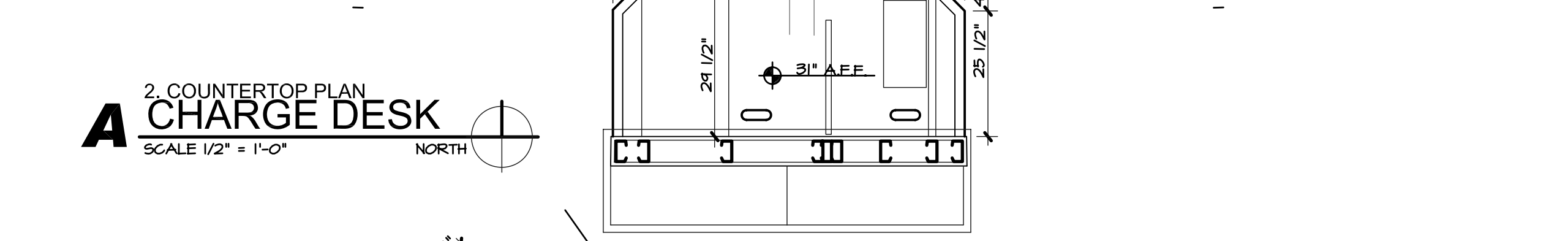
A 2. COUNTERTOP PLAN CHARGE DESK
SCALE 1/2" = 1'-0"



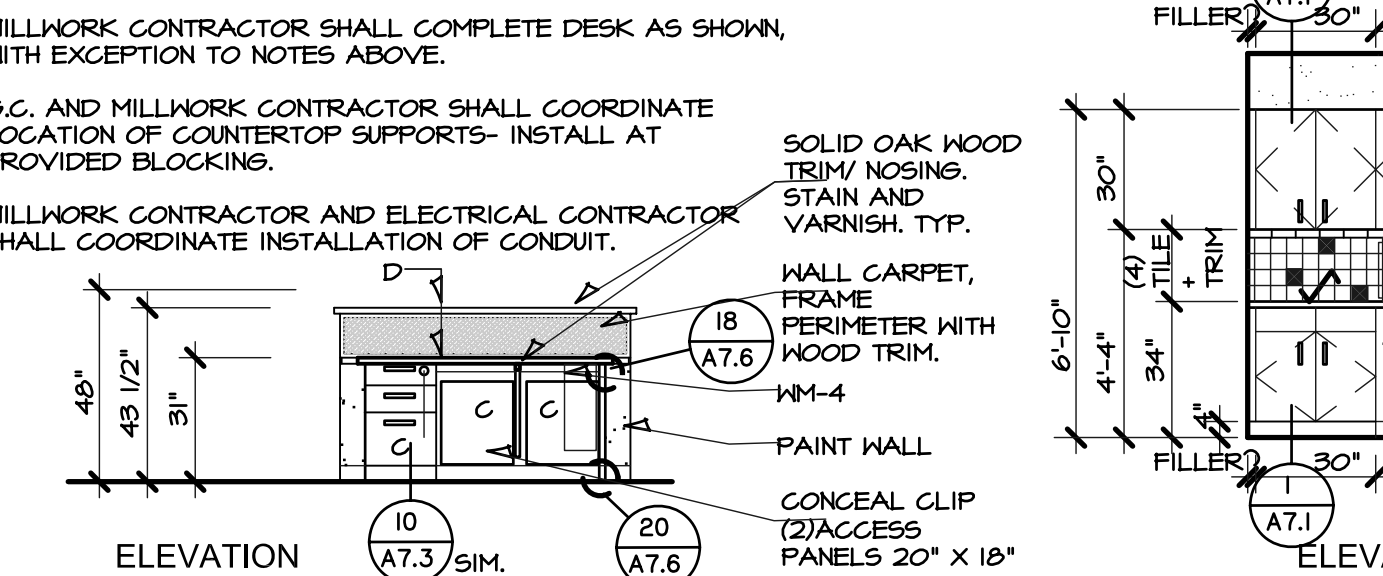
1 ELEVATION CHARGE DESK
SCALE 1/4" = 1'-0"



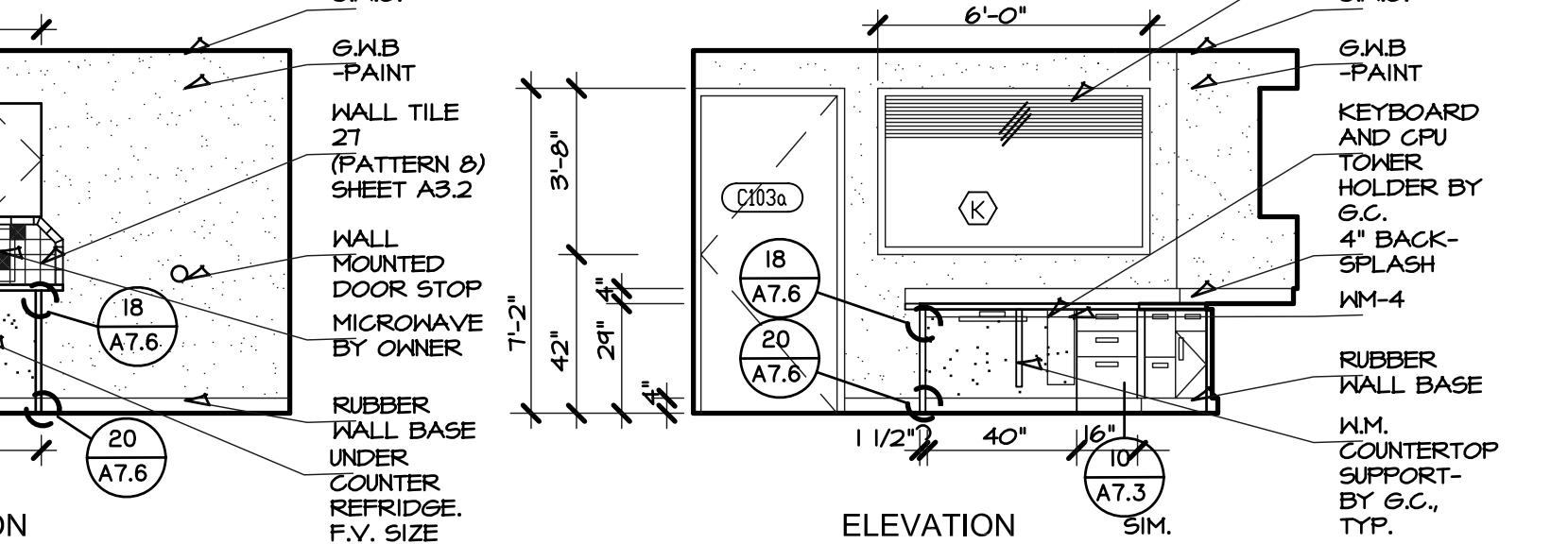
2 ELEVATION CHARGE DESK
SCALE 1/4" = 1'-0"



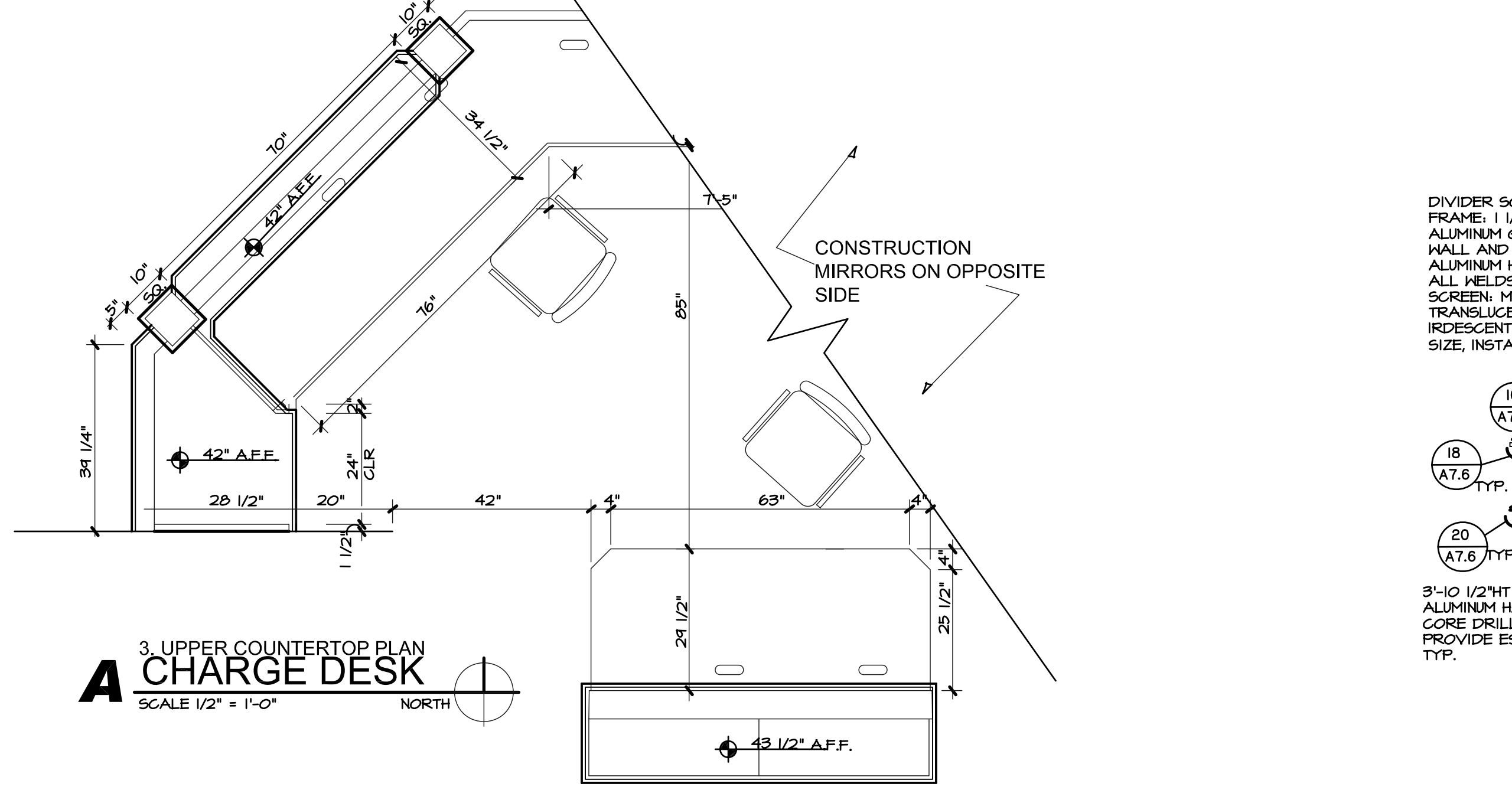
A 3. UPPER COUNTERTOP PLAN CHARGE DESK
SCALE 1/2" = 1'-0"



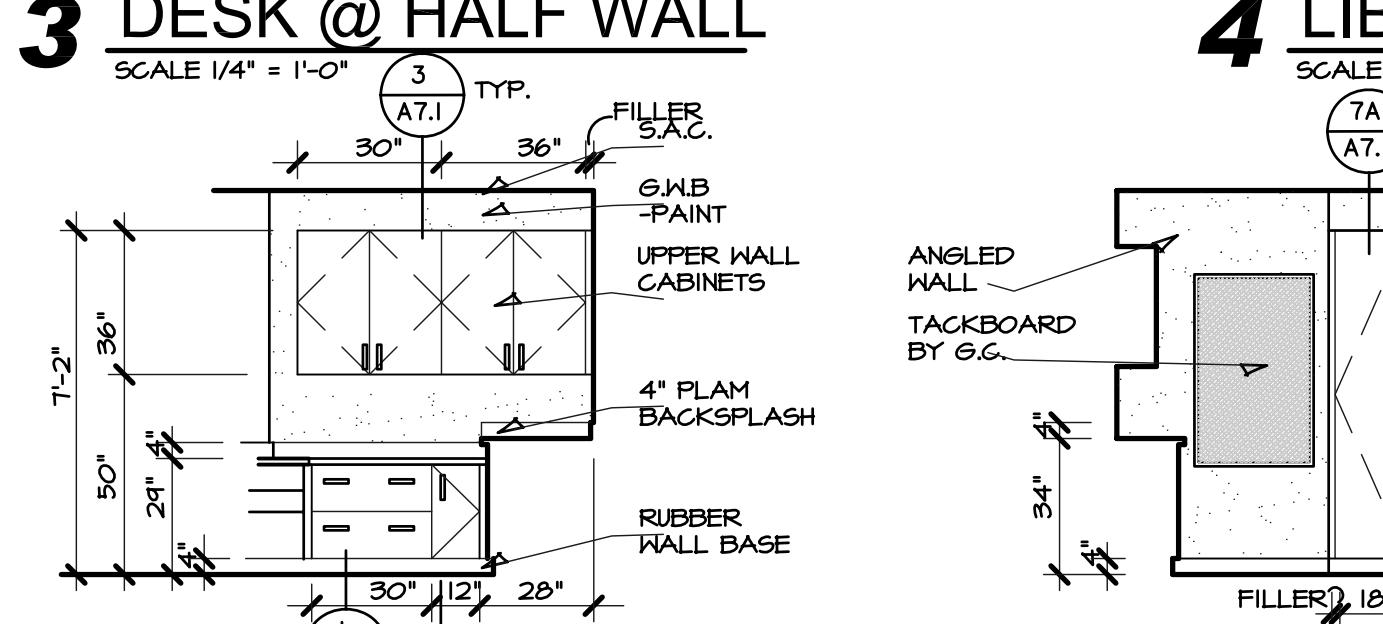
3 ELEVATION DESK @ HALF WALL
SCALE 1/4" = 1'-0"



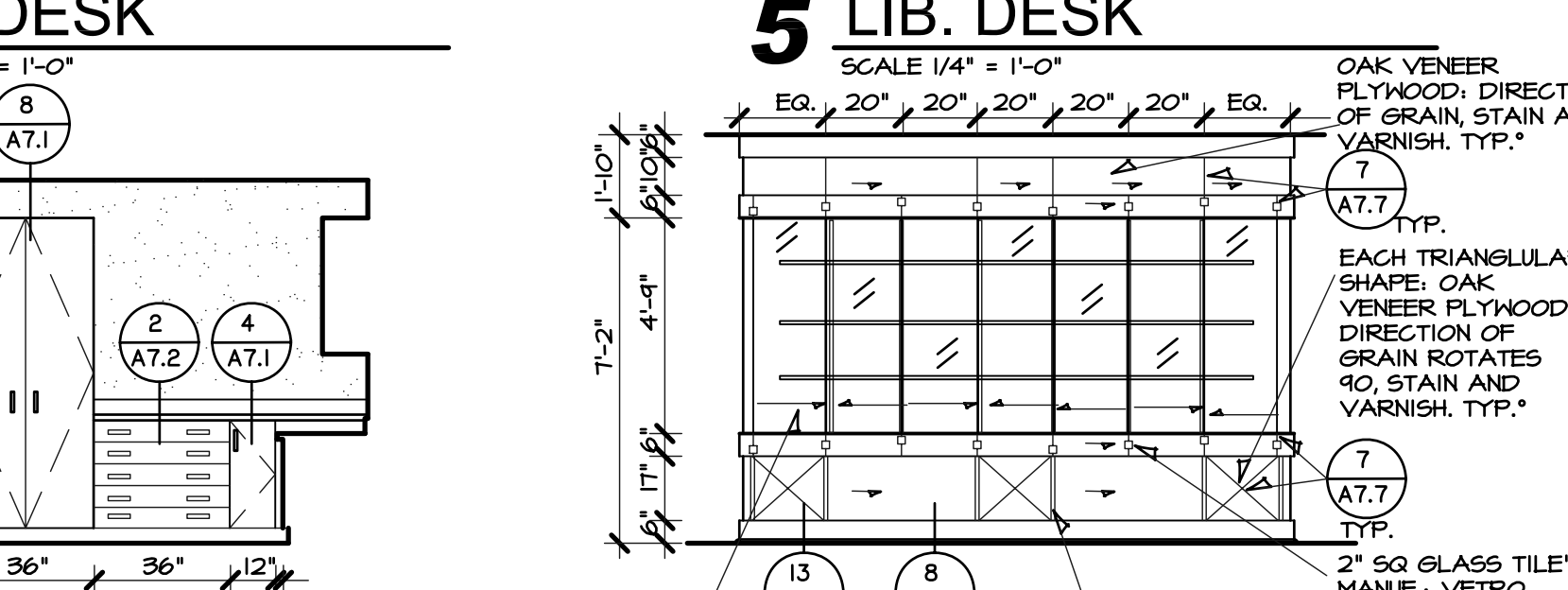
4 ELEVATION LIB. DESK
SCALE 1/4" = 1'-0"



A 4. CONSTRUCTION MIRRORS ON OPPOSITE SIDE
SCALE 1/2" = 1'-0"



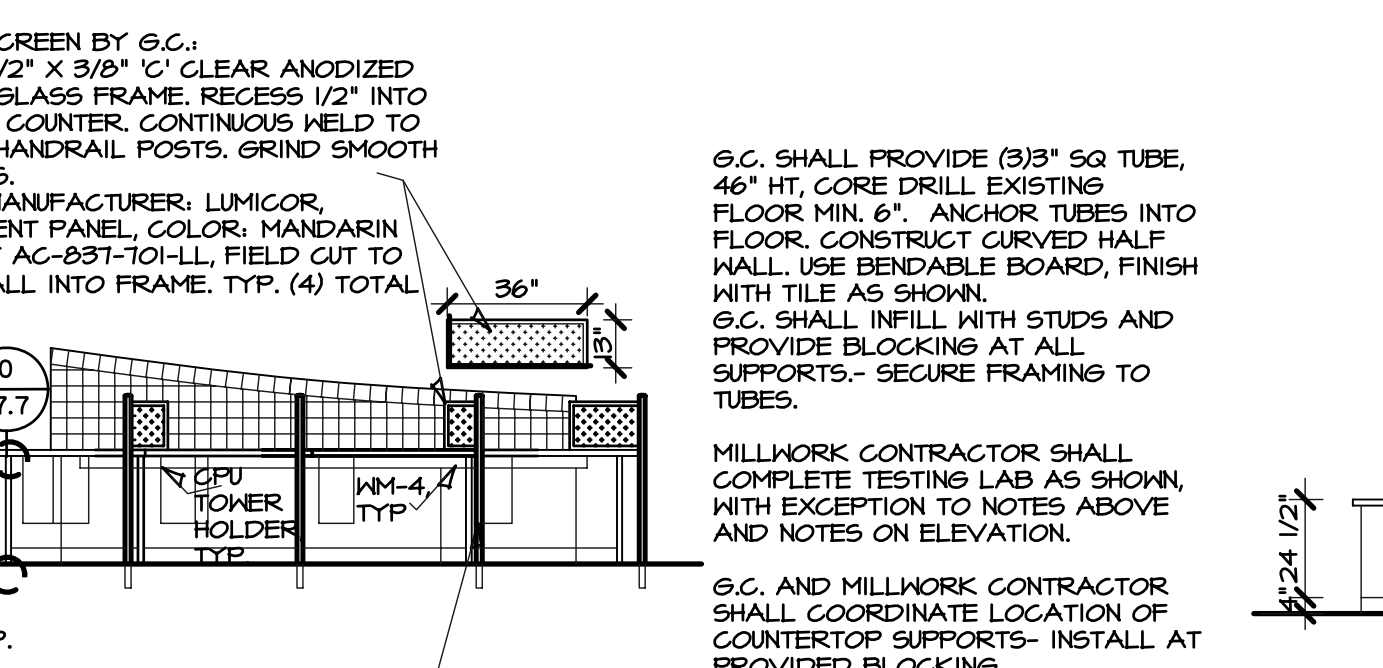
5 ELEVATION LIB. DESK
SCALE 1/4" = 1'-0"



6 ELEVATION LIB. DESK
SCALE 1/4" = 1'-0"



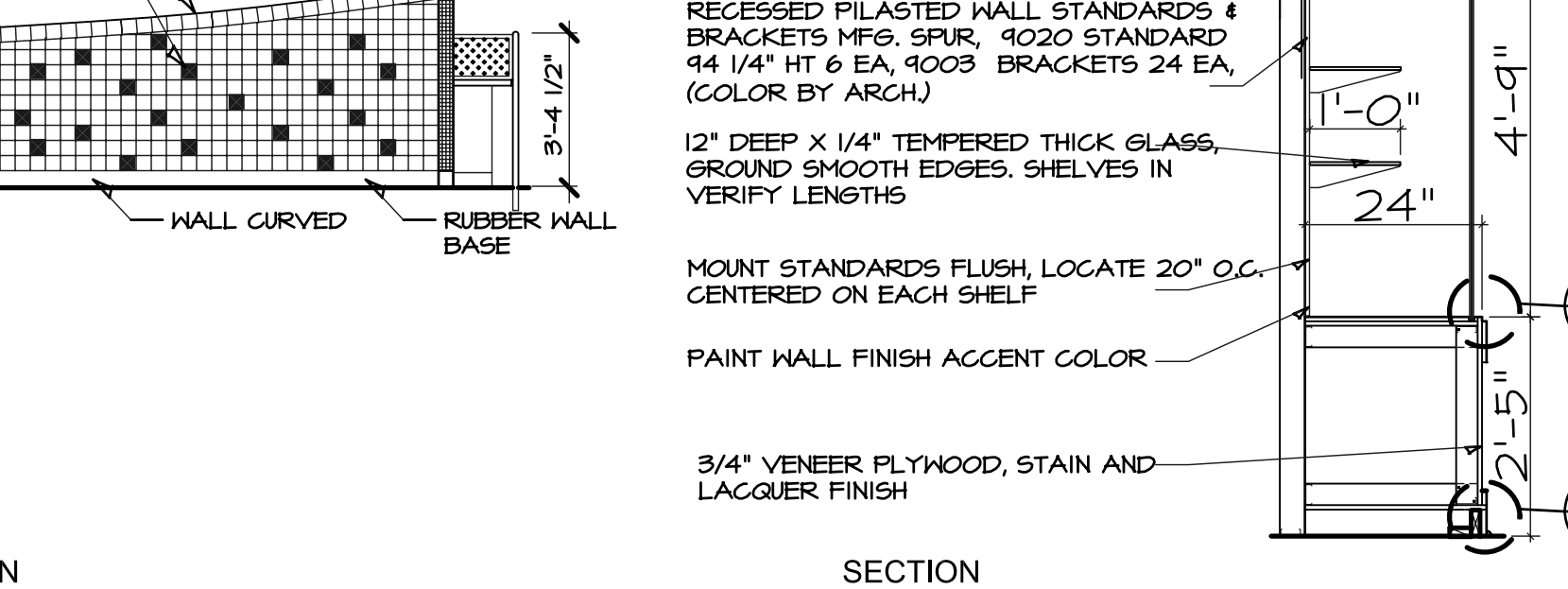
9 ELEVATION TESTING LAB
SCALE 1/4" = 1'-0"



7 ELEVATION LIB. DESK
SCALE 1/4" = 1'-0"



8 ELEVATION TROPHY CASE
SCALE 1/4" = 1'-0"



11 SECTION TROPHY CASE
SCALE 1/2" = 1'-0"

DRAWINGS ISSUED		
NO.	DATE	ITEM ISSUED
4	10/23	ADDENDUM-2
3	10/17	ADDENDUM-1
2	1/30	ISSUED FOR BIDS
1	1/26	REVIEW

COMPUTER DRAWING	
267GHAT4.DWG	

DATE: SEPTEMBER 2008	
DRAWN BY:	CHECKED BY:
JP, TH, CH, BS	MH

SHEET	
A7.4	SHEETS
OF 1	