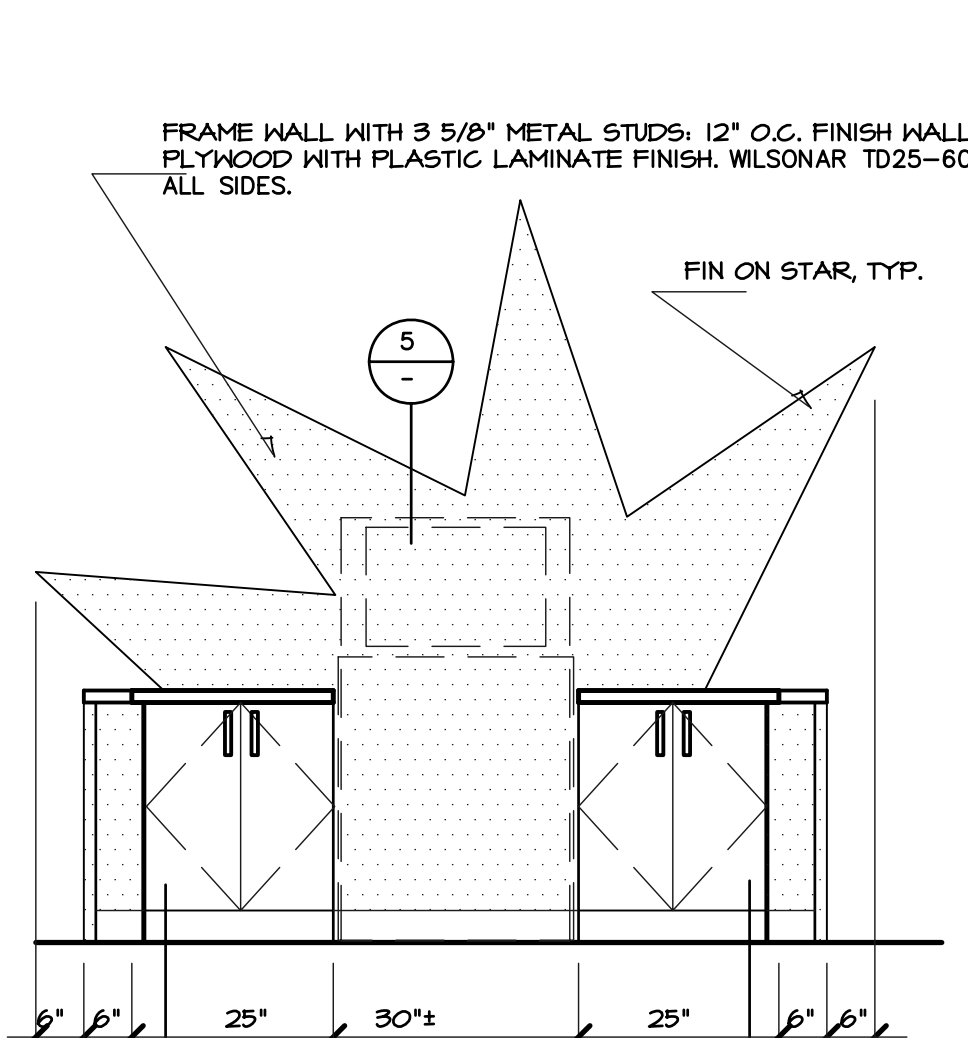


G.C. SHALL PROVIDE (3/8)" SQ TUBE, 46" HT. CORE DRILL EXISTING FLOOR MIN. 6". ANCHOR TUBES INTO FLOOR. CONSTRUCT STAR SHAPED HALF WALL. G.C. SHALL INFILL WITH STUDS AND PROVIDE BLOCKING AT ALL SUPPORTS. SECURE FRAMING TO TUBES.

MILLWORK CONTRACTOR SHALL COMPLETE AS SHOWN. CONCEAL ATTACHMENT WITH EXCEPTION TO NOTES ABOVE AND NOTES ON ELEVATION.

MILLWORK CONTRACTOR, G.C. AND ELECTRICAL CONTRACTOR SHALL COORDINATE INSTALLATION OF CONDUIT.

1 STAR WALL
 SCALE: 1/2" = 1'-0"

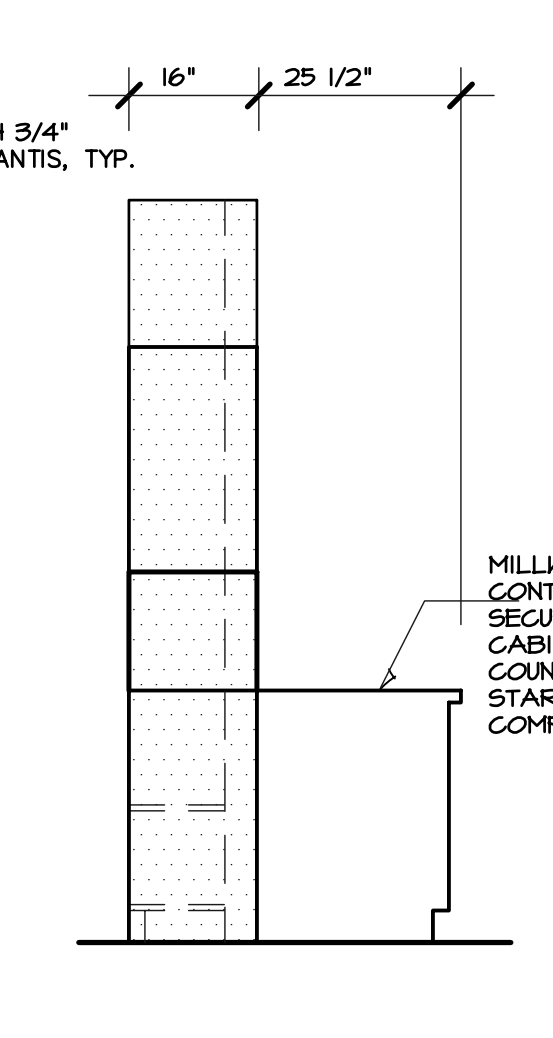


FRAME WALL WITH 3 5/8" METAL STUDS. 12" O.C. FINISH WALL WITH 3/4" PLYWOOD WITH PLASTIC LAMINATE FINISH. WILSONAR TD25-60 ATLANTIS, TYP. ALL SIDES.

FIN ON STAR, TYP.

MILLWORK CONTRACTOR TO SECURE BASE CABINET AND COUNTERTOP ONCE STAR WALL IS COMPLETE

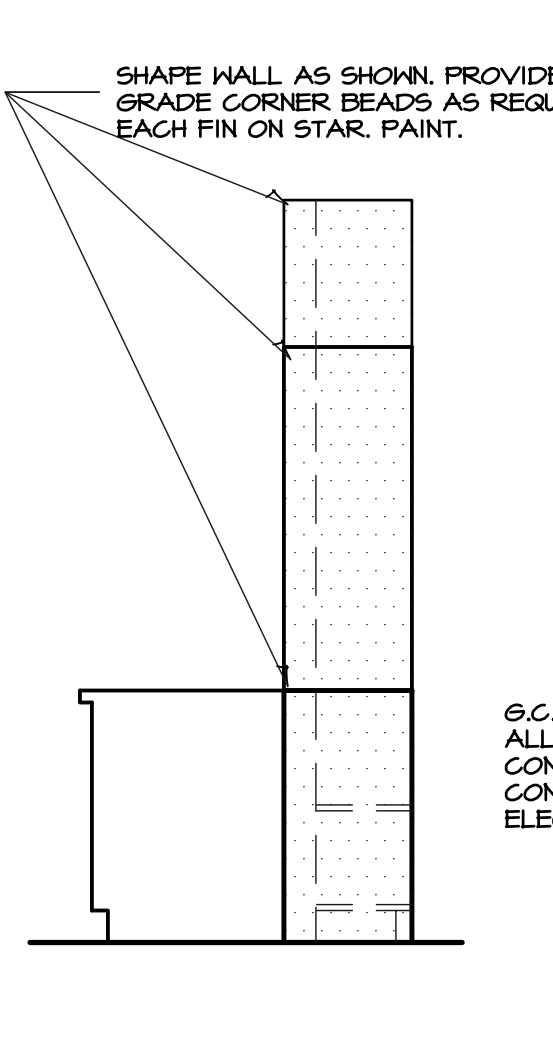
2 STAR WALL
 SCALE: 1/2" = 1'-0"



SHAPE WALL AS SHOWN. PROVIDE PAINT GRADE CORNER BEADS AS REQUIRED AT EACH FIN ON STAR. PAINT.

G.C. CONSTRUCT WALL ALLOWING FOR CONTINUOUS RUN OF CONDUIT FOR ELECTRICAL.

3 STAR WALL
 SCALE: 1/2" = 1'-0"

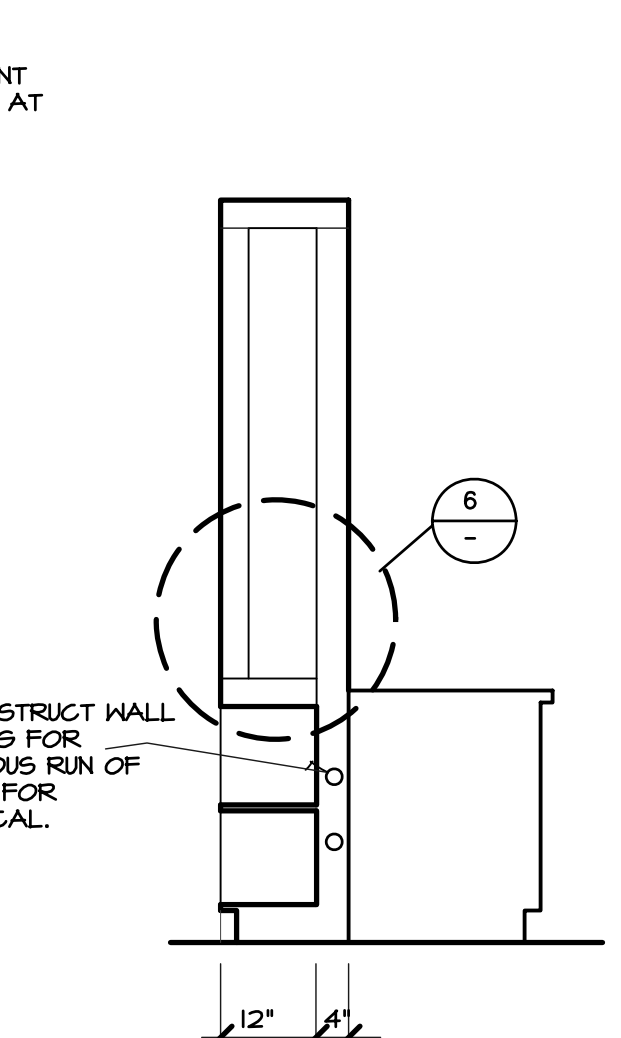


G.C. TO CONSTRUCT WALL SUPPORTS

METAL DIAGONAL BRACE TO SUPPORT WALL

4 X 4 X 1/4" ANGLE IRON FRAME, CONTINUOUS LENGTH

4 STAR WALL
 SCALE: 1/2" = 1'-0"

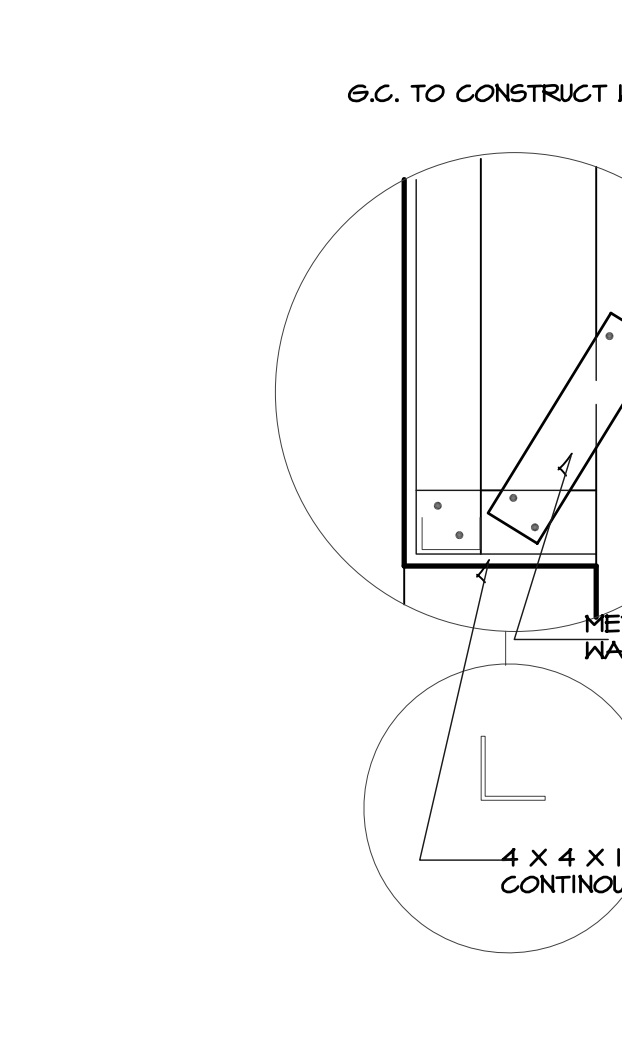


G.C. TO CONSTRUCT WALL SUPPORTS

METAL DIAGONAL BRACE TO SUPPORT WALL

4 X 4 X 1/4" ANGLE IRON FRAME, CONTINUOUS LENGTH

5 STAR WALL
 SCALE: 1/2" = 1'-0"

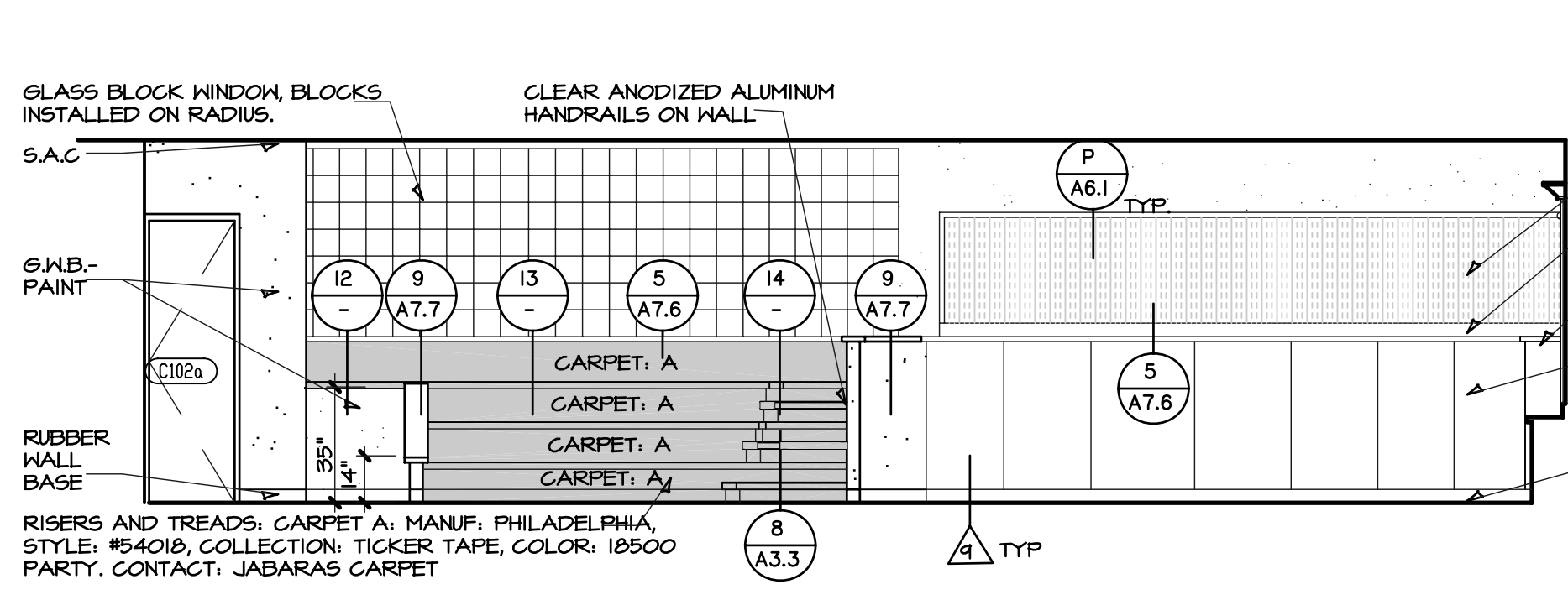


G.C. TO CONSTRUCT WALL SUPPORTS

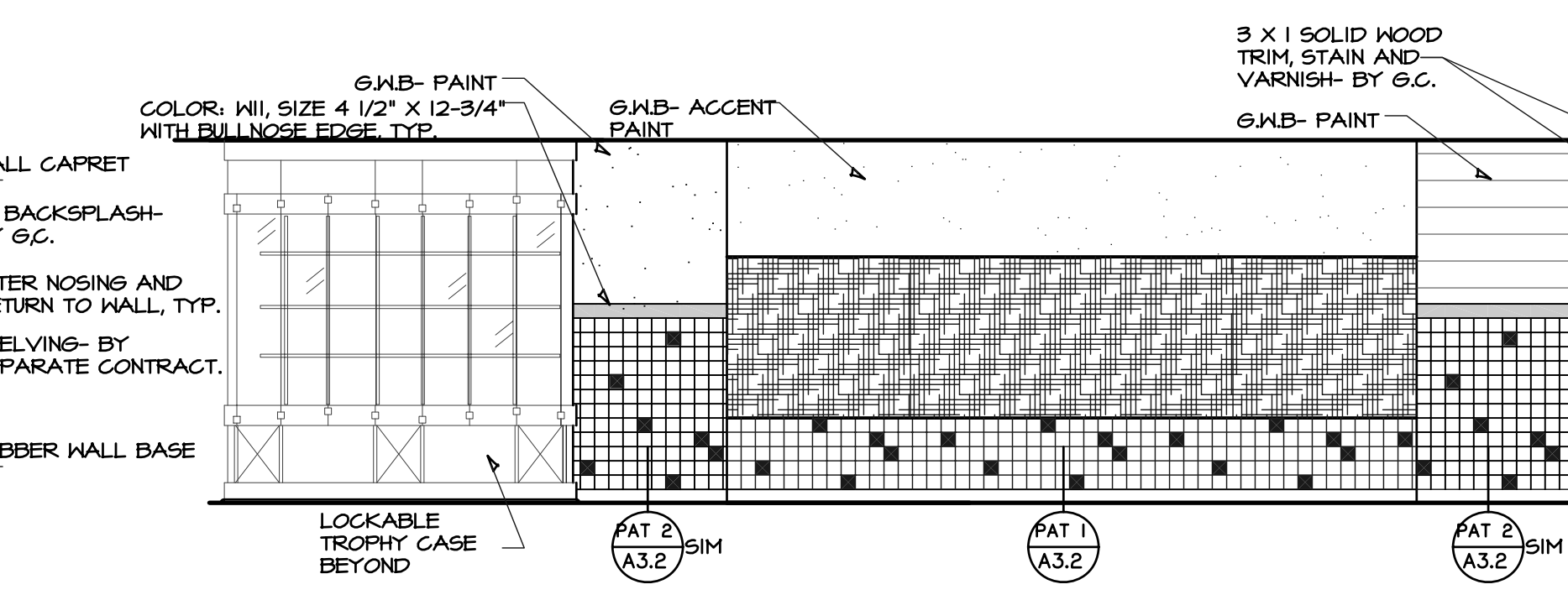
METAL DIAGONAL BRACE TO SUPPORT WALL

4 X 4 X 1/4" ANGLE IRON FRAME, CONTINUOUS LENGTH

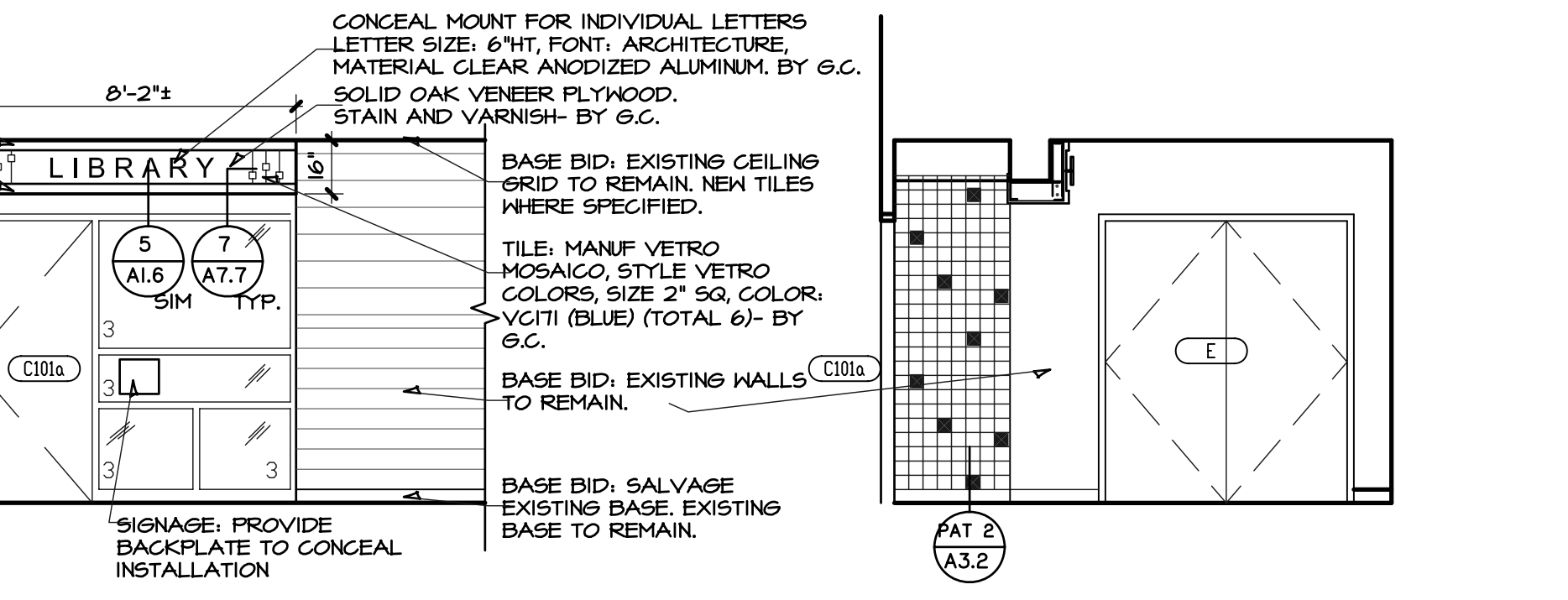
6 STAR WALL
 NOT TO SCALE



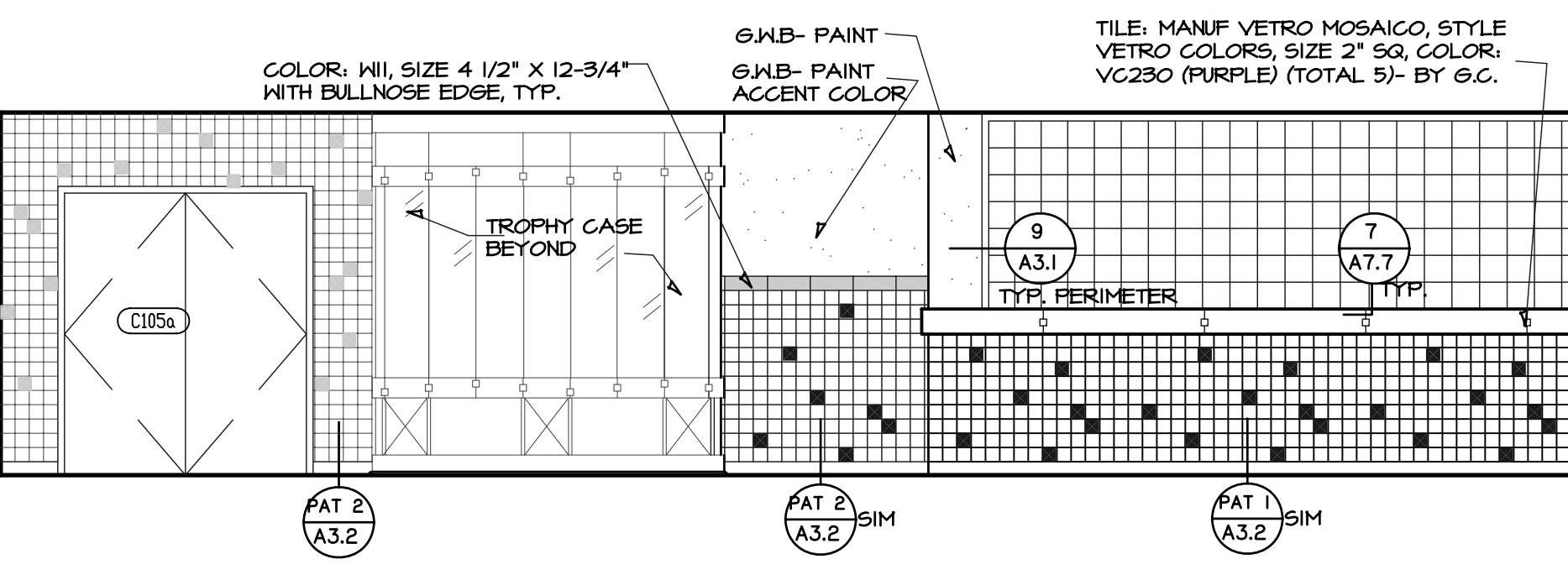
7 LIBRARY
 SCALE: 1/4" = 1'-0"



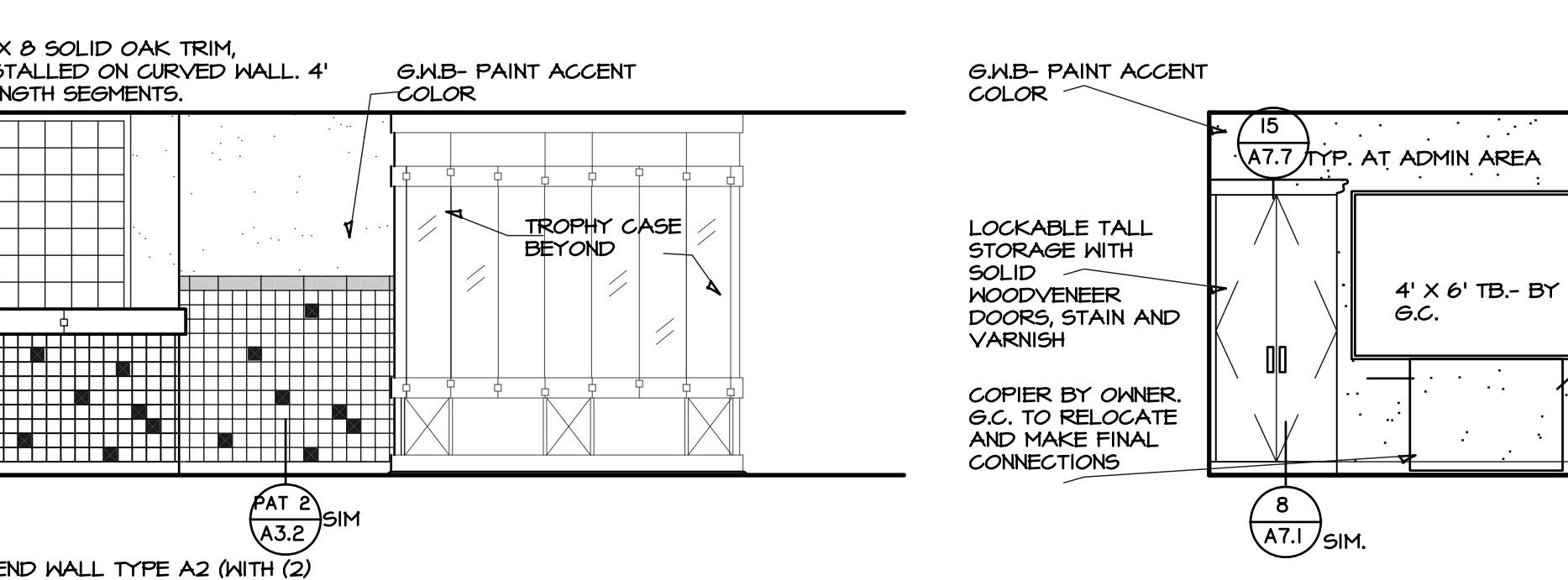
8 CORRIDOR
 SCALE: 1/4" = 1'-0"



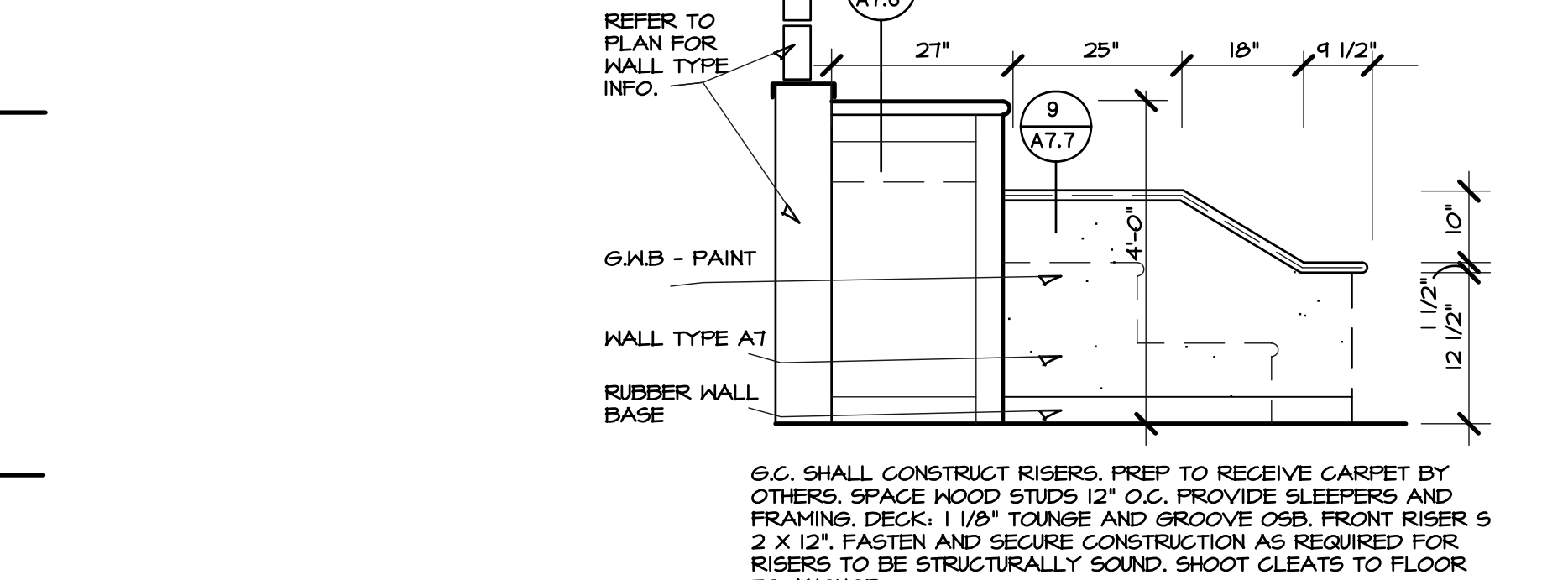
9 LIBRARY ALCOVE
 SCALE: 1/4" = 1'-0"



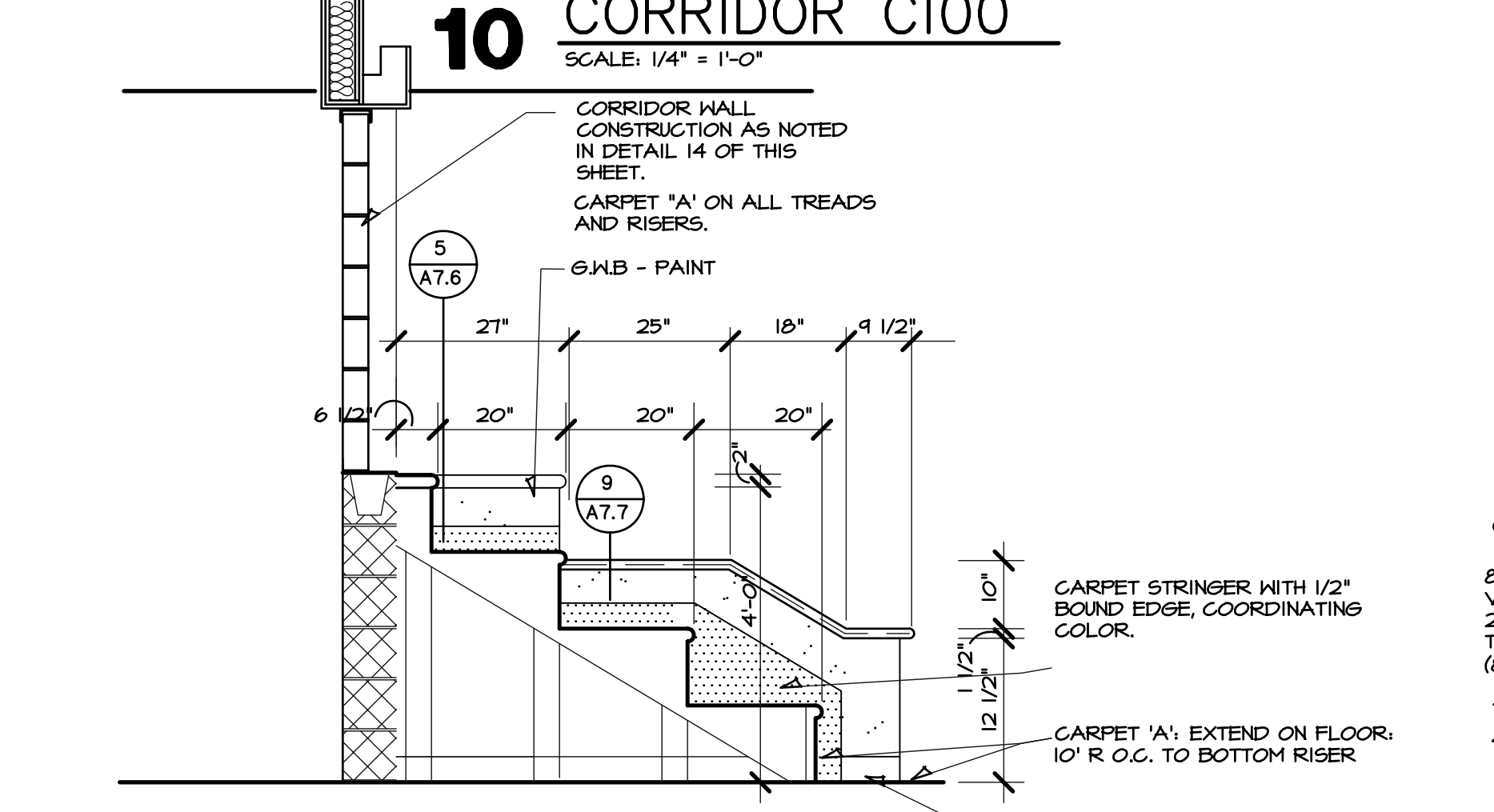
10 CORRIDOR C100
 SCALE: 1/4" = 1'-0"



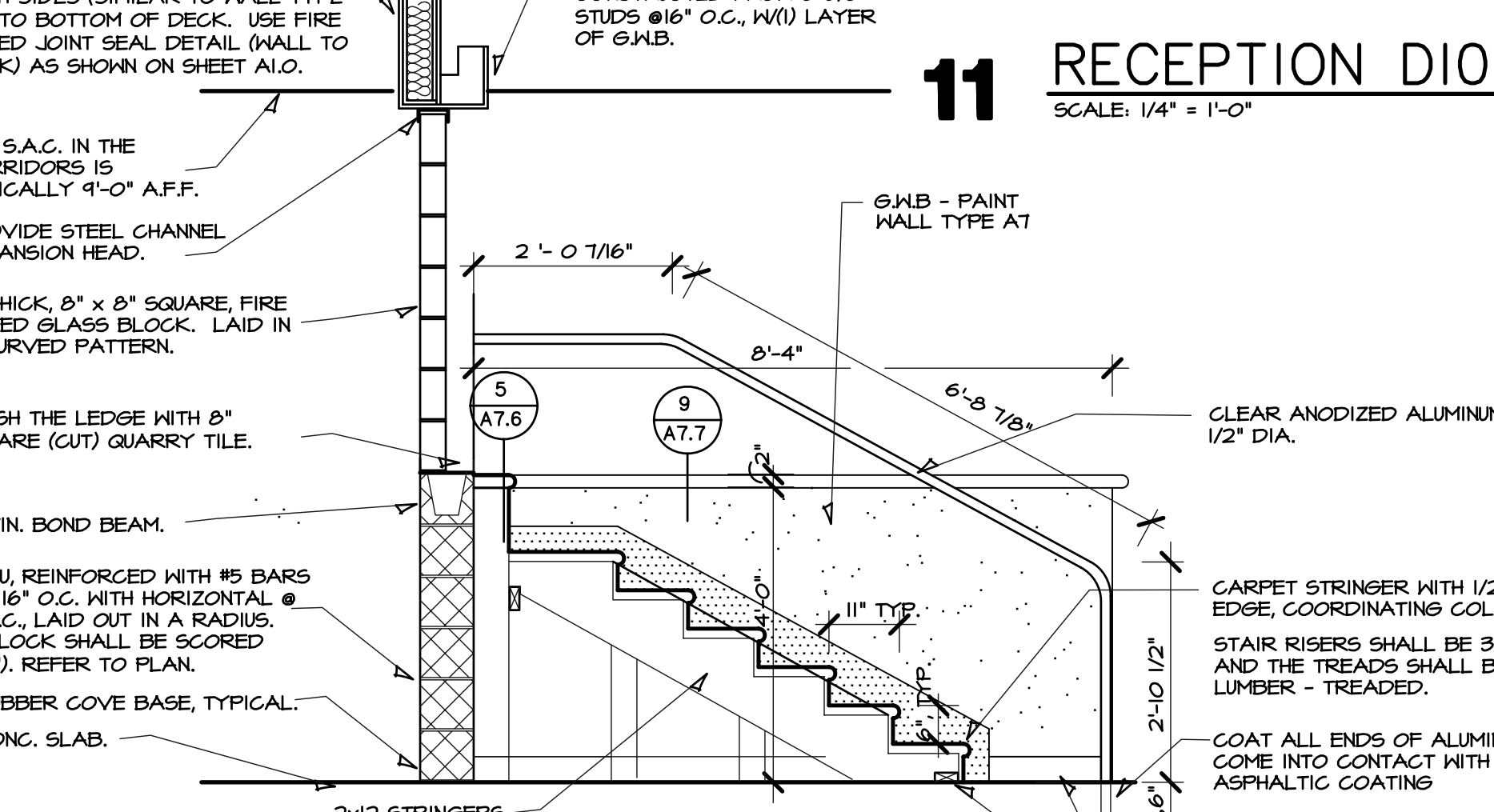
11 RECEPTION D103
 SCALE: 1/4" = 1'-0"



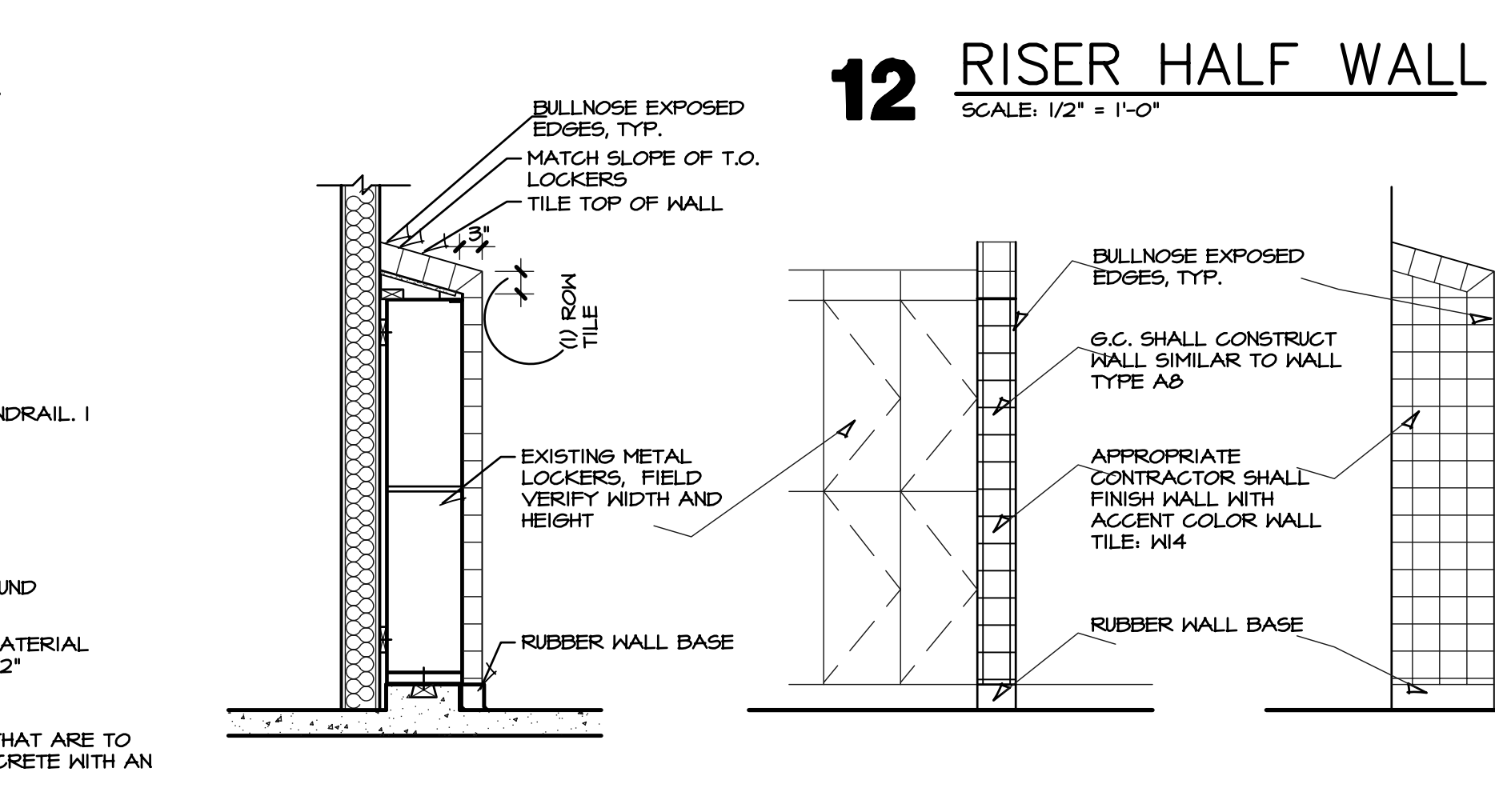
12 RISER HALF WALL
 SCALE: 1/2" = 1'-0"



13 RISER HALF WALL
 SCALE: 1/2" = 1'-0"



14 RISER HALF WALL
 SCALE: 1/2" = 1'-0"



15 END WALL@LOCKER
 SCALE: 1/4" = 1'-0"

2008
 ST. MARK'S CHARTER SCHOOL REMODEL
 ST. MARK'S, KANSAS
 RENWICK UNIFIED SCHOOL DISTRICT 267

DRAWINGS ISSUED		
NO.	DATE	ITEM ISSUED
3	10/24	ADDENDUM #3
2	9/30	ISSUED FOR BIDS
1	9/26	REVIEW

COMPUTER DRAWING
 267GHATS.DWG

DATE: SEPTEMBER 2008
 DRAWN BY: JP, TH, CH, BS
 CHECKED BY: MH

SHEET
A7.5
 OF 1 SHEETS