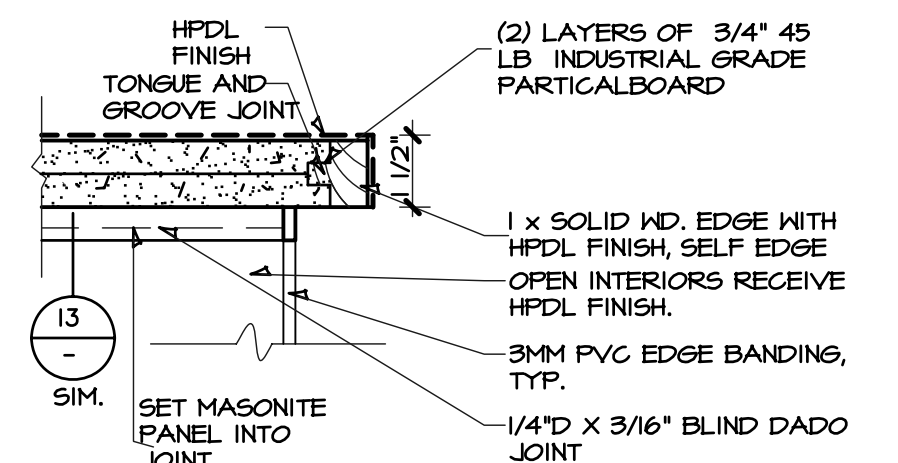
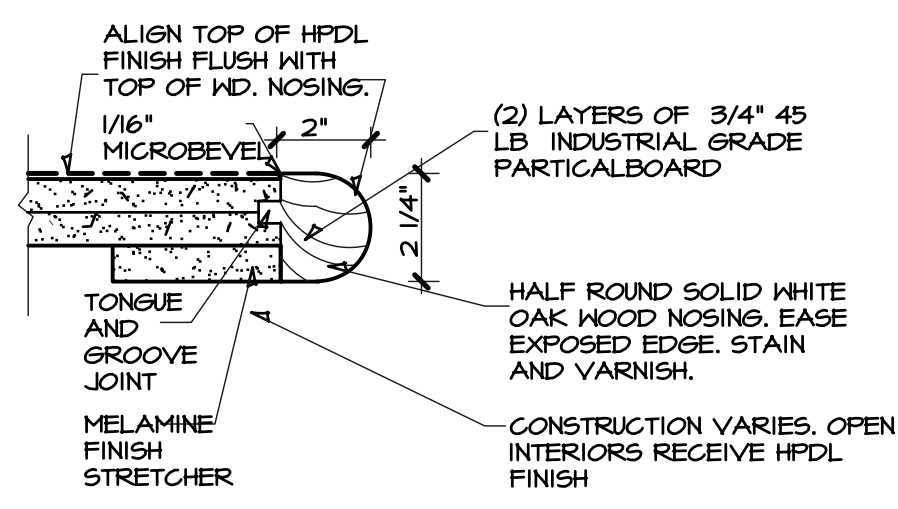


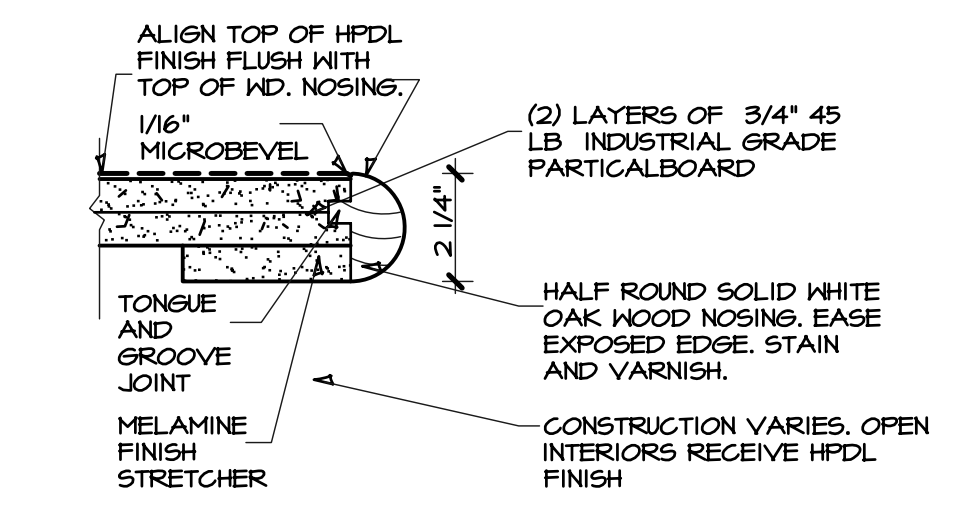
1 SECTION
COUNTERTOP NOSING
 SCALE 3" = 1'-0"



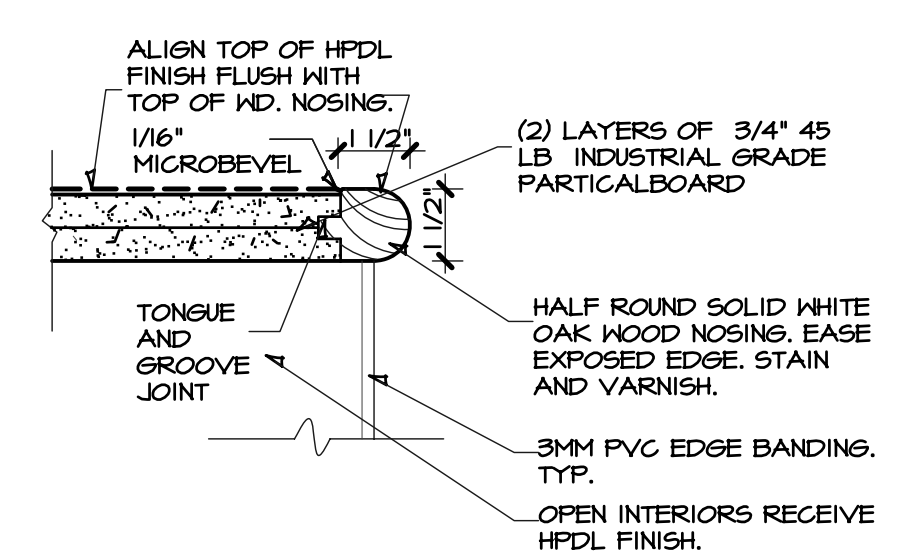
2 SECTION
VERTICAL STORAGE NOSING
 SCALE 3" = 1'-0"



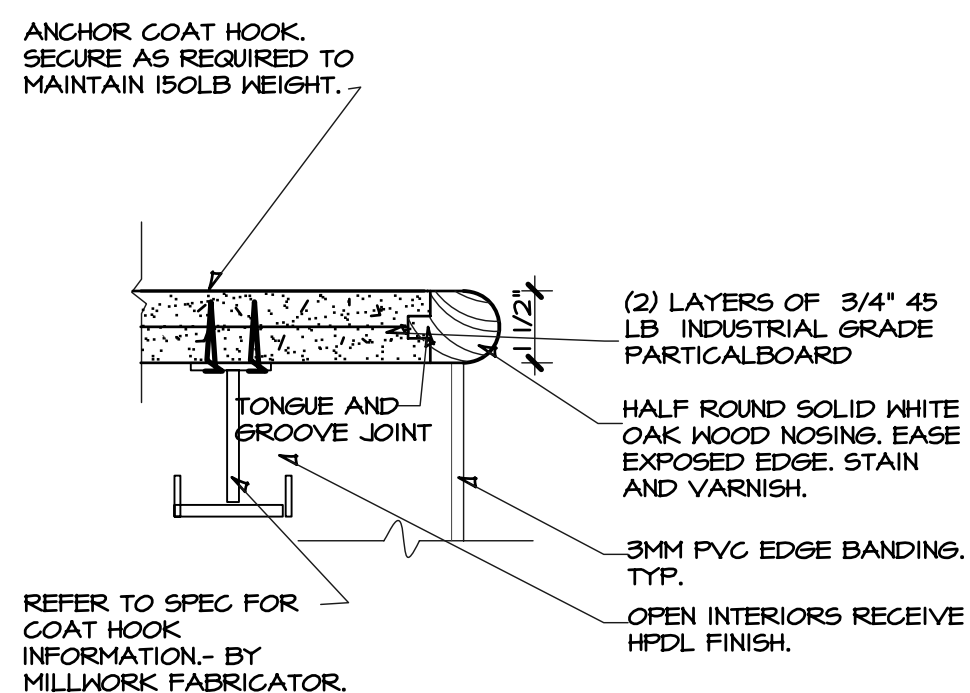
3 SECTION
COMPUTER NOSING
 SCALE 3" = 1'-0"



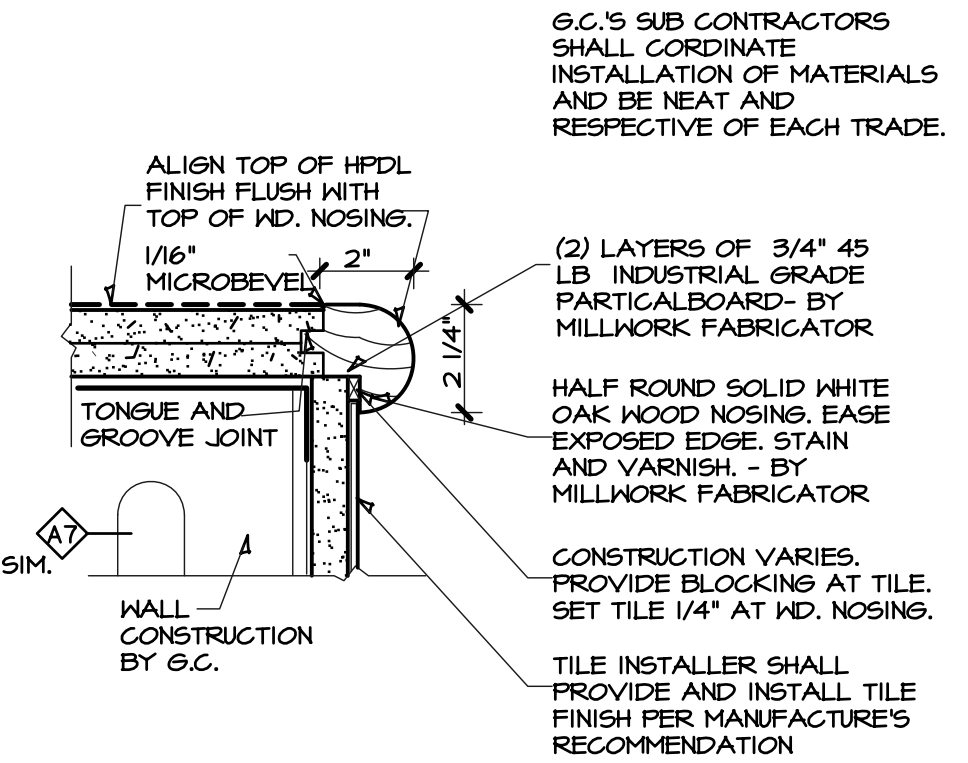
4 SECTION
COMPUTER NOSING
 SCALE 3" = 1'-0"



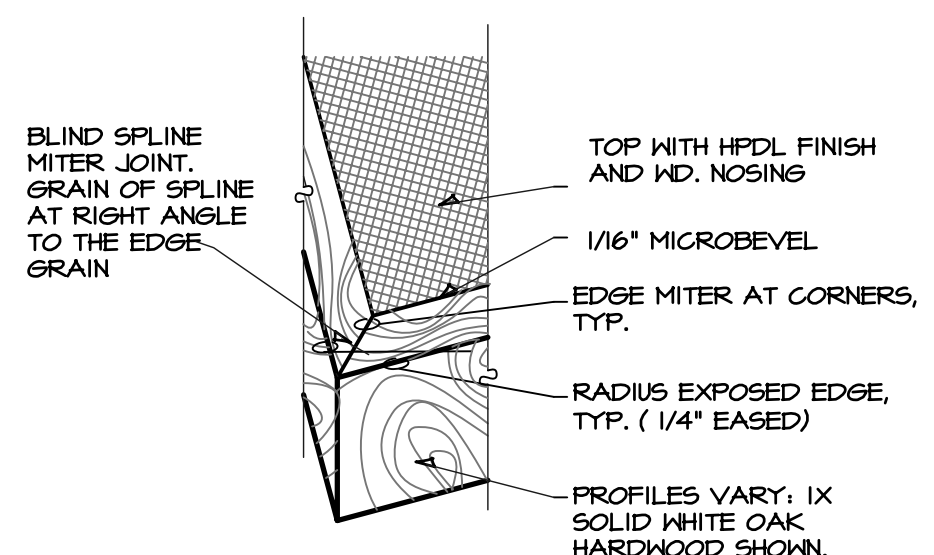
5 SECTION
COUNTERTOP NOSING
 SCALE 3" = 1'-0"



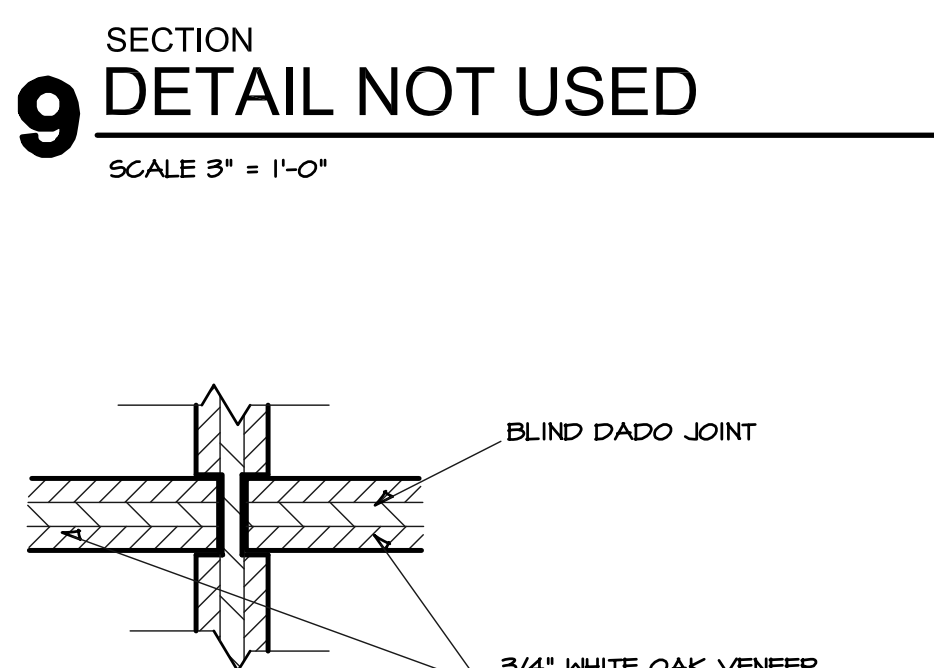
6 SECTION
CUBBIE NOSING
 SCALE 3" = 1'-0"



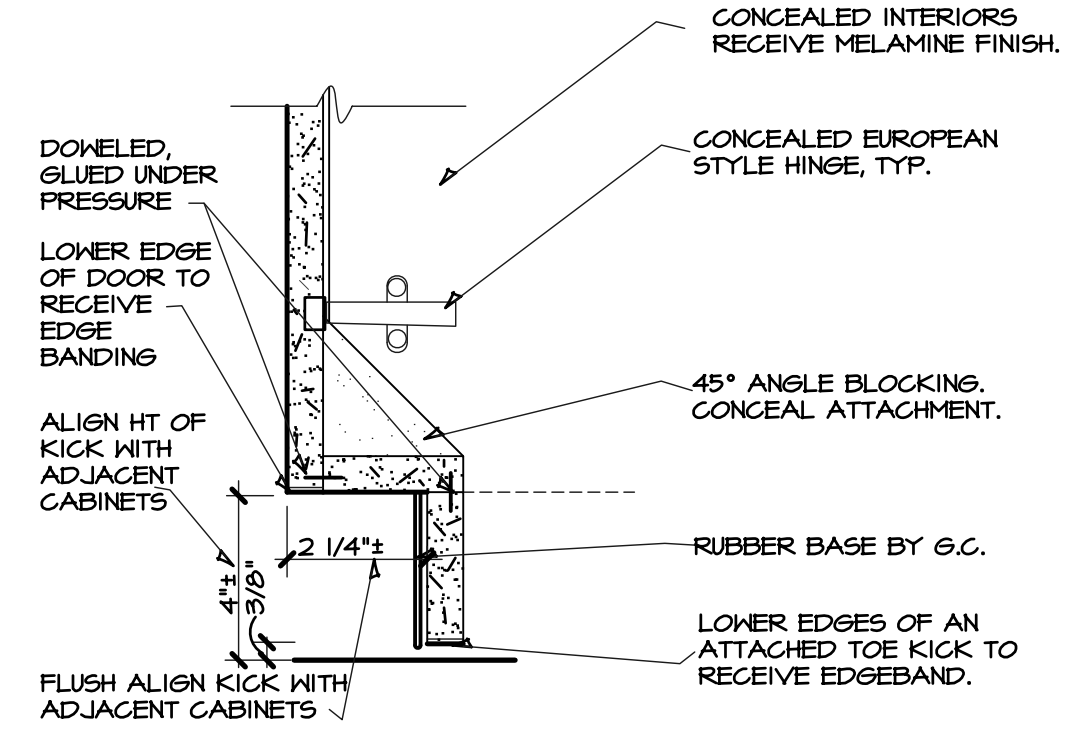
7 SECTION
SHELVING NOSING @ CR
 SCALE 3" = 1'-0"



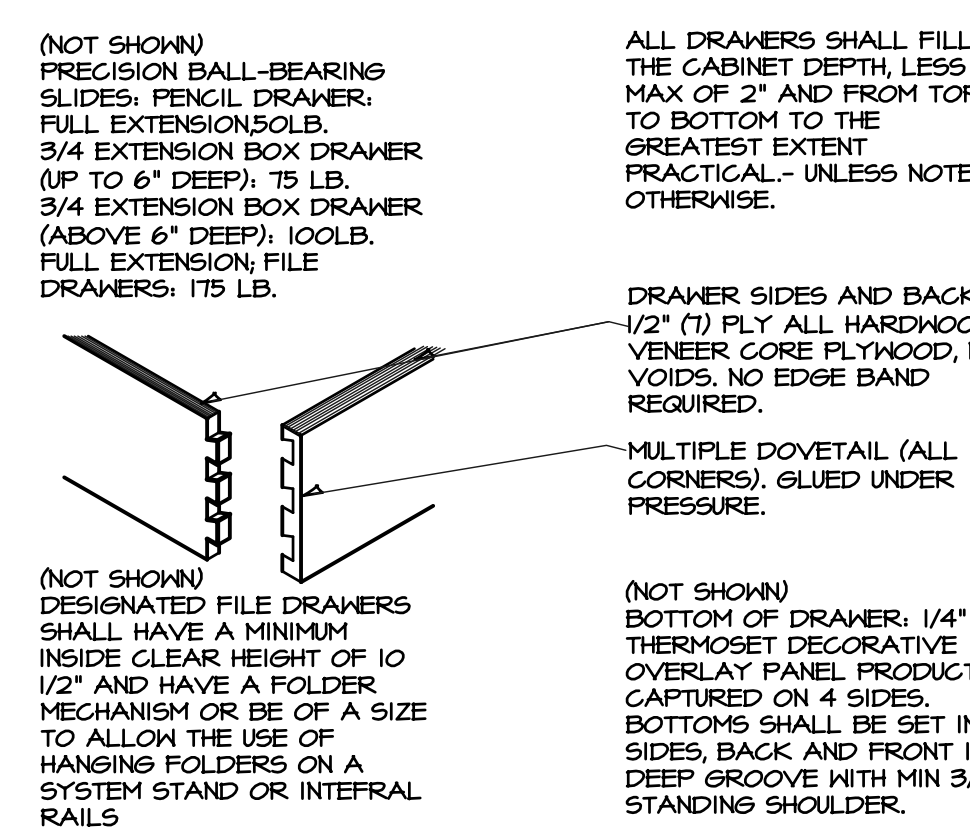
8 SECTION- APPLY TO ALL CORNERS UNLESS NOTED OTHERWISE
MITER CORNER DETAIL
 SCALE 3" = 1'-0"



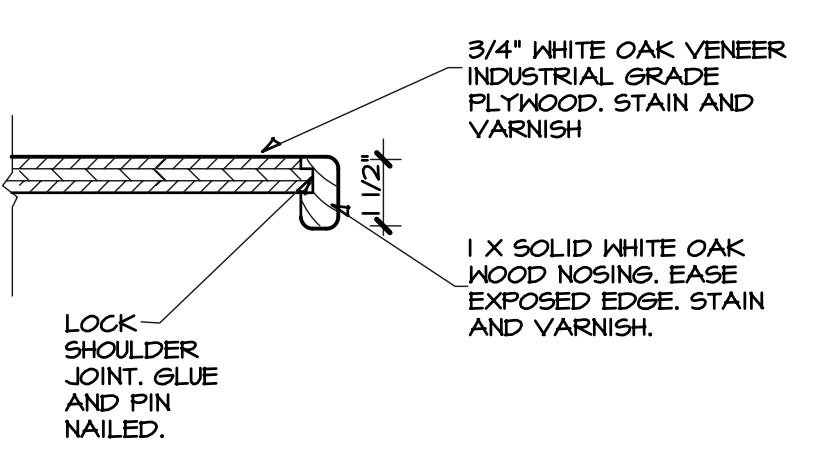
9 SECTION
DETAIL NOT USED
 SCALE 3" = 1'-0"



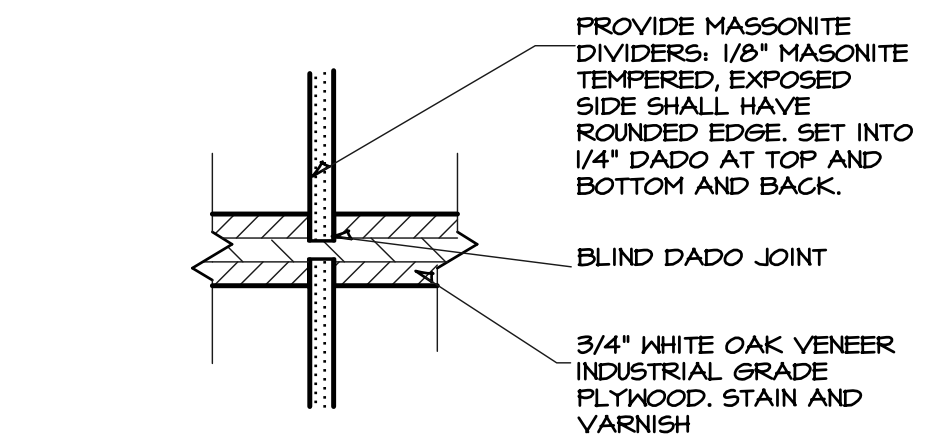
10 SECTION
TOE KICK DETAIL
 SCALE 3" = 1'-0"



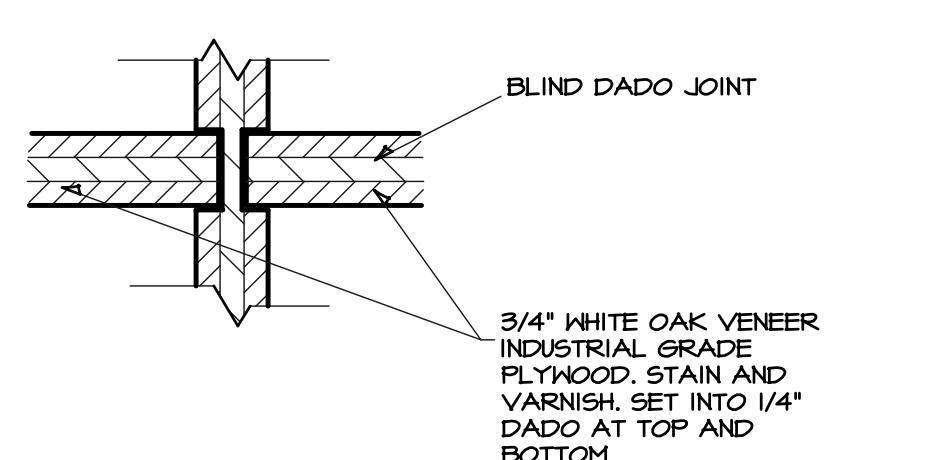
11 SECTION- APPLY AS GENERAL CONSTRUCTION DETAIL
DRAWER CONSTRUCTION
 NOT TO SCALE



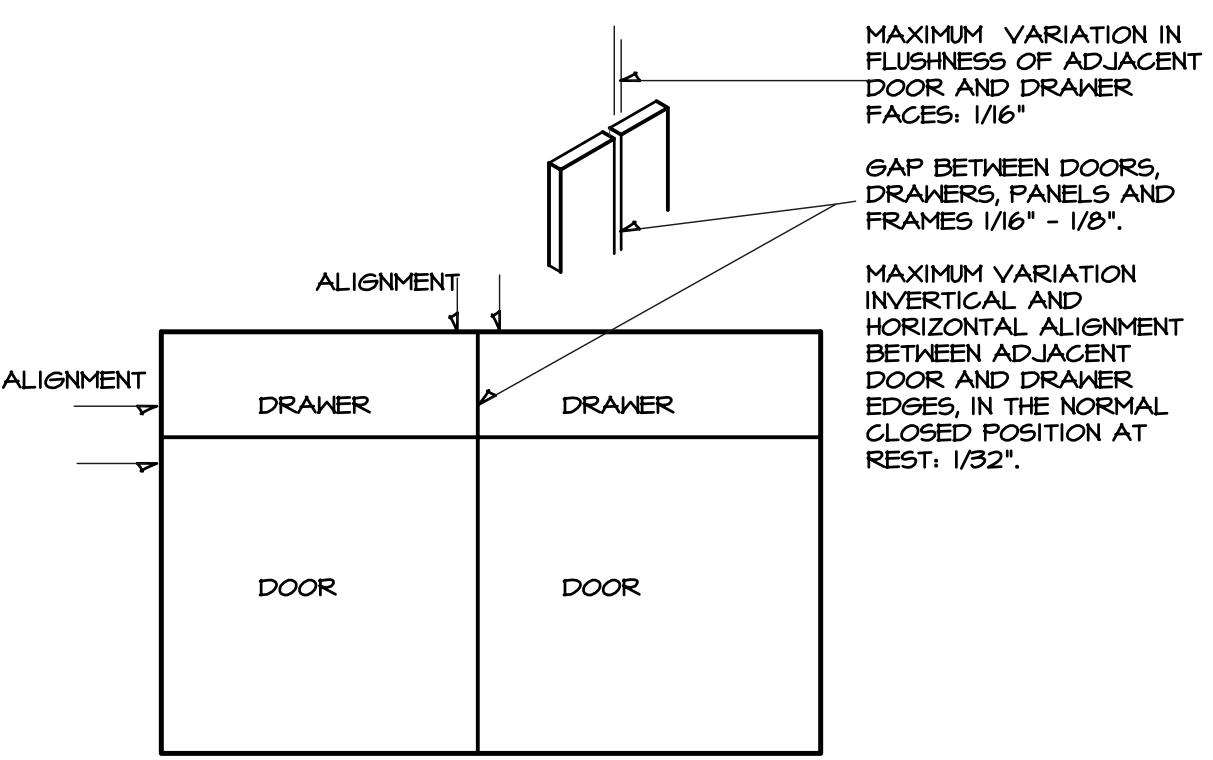
12 SECTION
MAILBOX
 SCALE 3" = 1'-0"



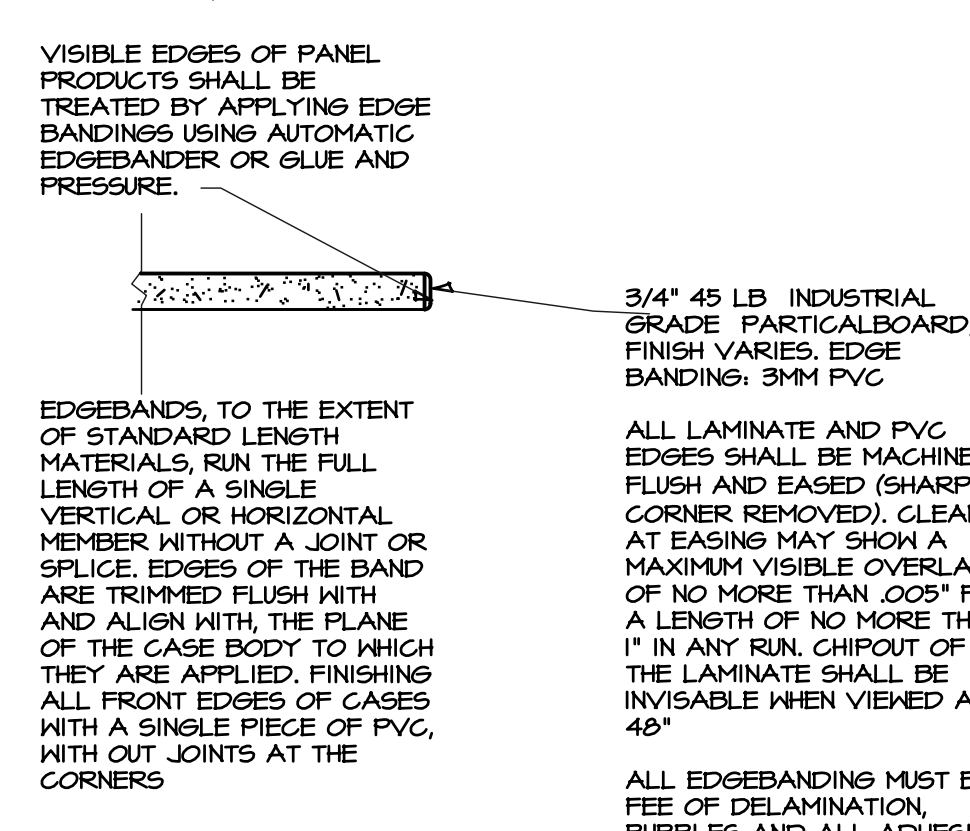
13 SECTION
MAILBOX
 SCALE 6" = 1'-0"



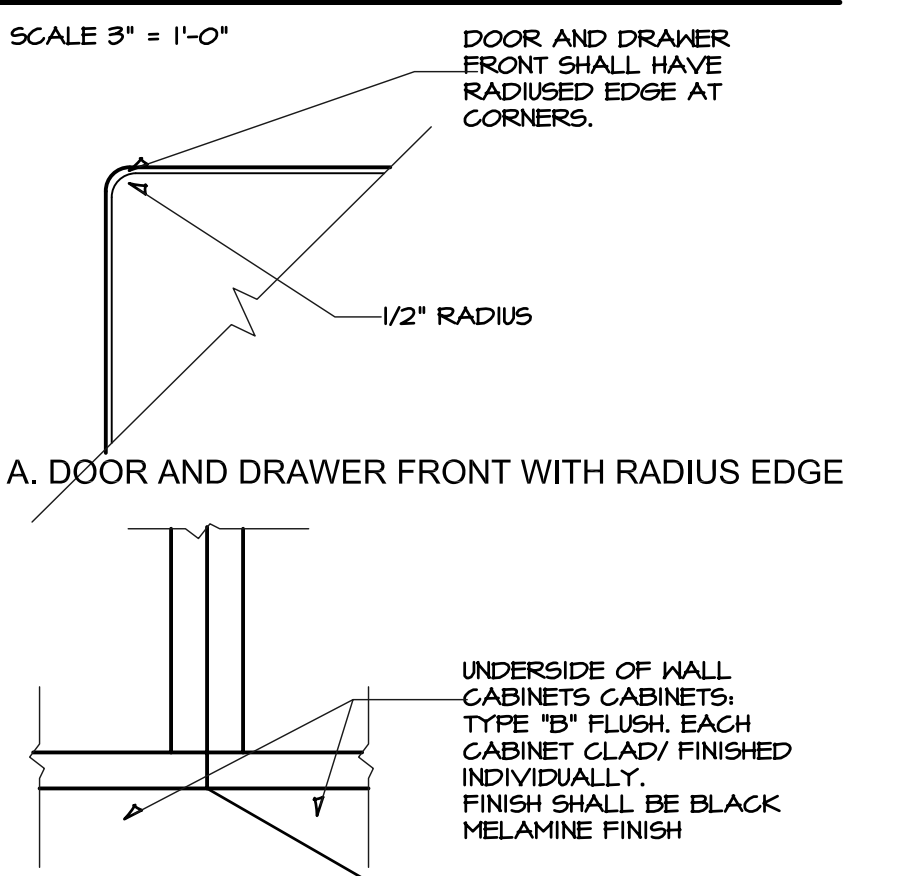
14 SECTION
MAILBOX
 SCALE 6" = 1'-0"



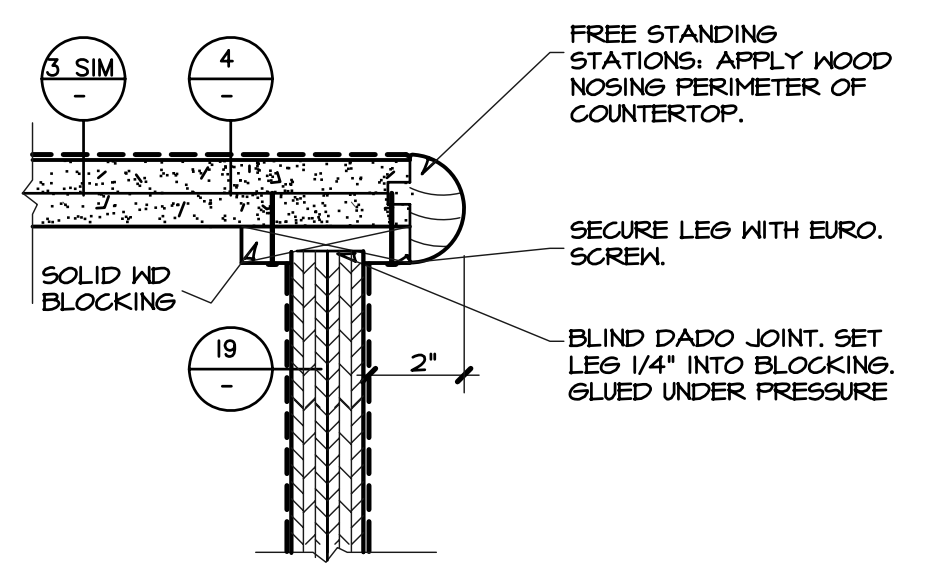
15 SECTION- APPLY AS GENERAL CONSTRUCTION DETAIL
FITTING OF EXP. CAB DR/ DRW
 NOT TO SCALE



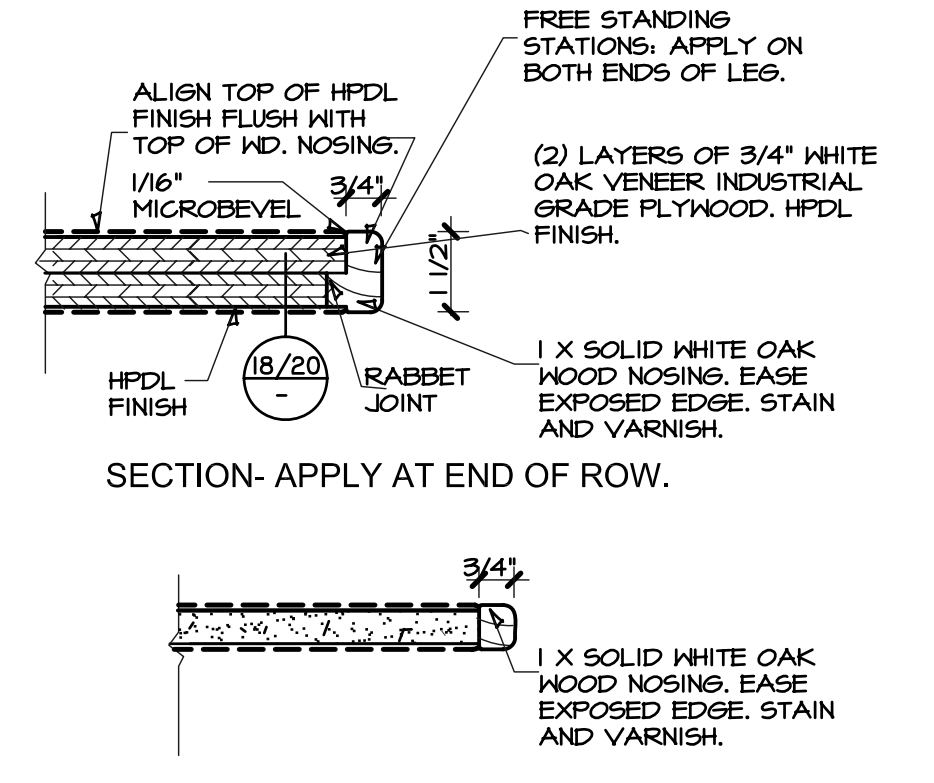
16 SECTION-APPLY AS GENERAL CONSTRUCTION DETAIL
PVC EDGING
 SCALE 3" = 1'-0"



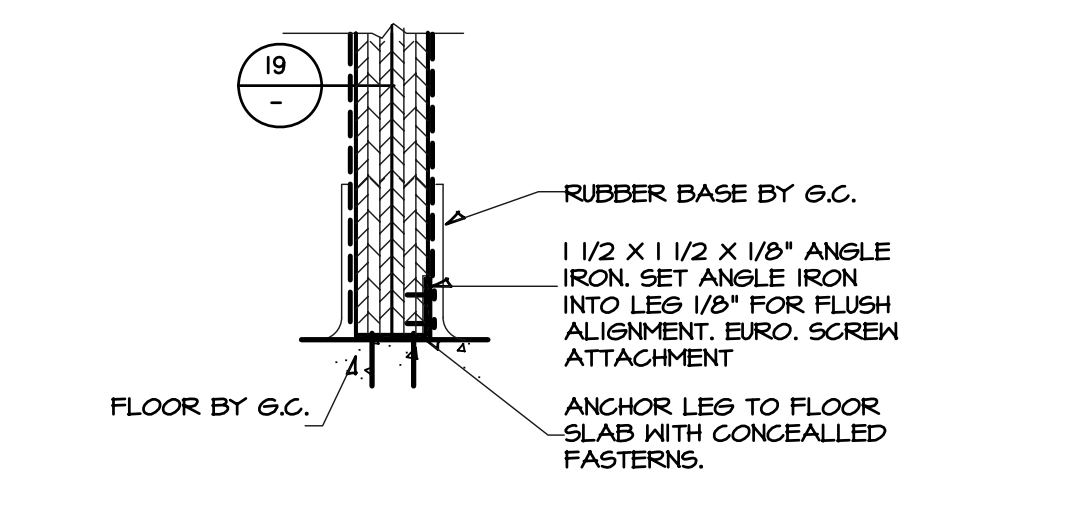
17 SECTION
GENERAL CONSTRUCTION DTL.
 SCALE 3" = 1'-0"



18 SECTION- APPLY AS A GENERAL CONSTRUCTION DETAIL
LEG SUPPORT AT TOP
 SCALE 3" = 1'-0"



19 SECTION- APPLY AT END OF ROW AND AS REQUIRED
COMPUTER LEG/ CPU WALLS
 SCALE 3" = 1'-0"



20 SECTION
LEG SUPPORT AT FLOOR
 SCALE 3" = 1'-0"

2008
 ST. MARK'S CHARTER SCHOOL REMODEL
 ST. MARK'S, KANSAS
 RENWICK UNIFIED SCHOOL DISTRICT 267

DRAWINGS ISSUED		
NO.	DATE	ITEM ISSUED
3	10/24	ADDENDUM #3
2	9/30	ISSUED FOR BIDS
1	9/26	REVIEW

COMPUTER DRAWING
 267SMAT6.DWG

DATE: SEPTEMBER 2008
 DRAWN BY: J.P., T.H., C.H., B.S.
 CHECKED BY: M.H.

SHEET
A7.6
 OF 1 SHEETS