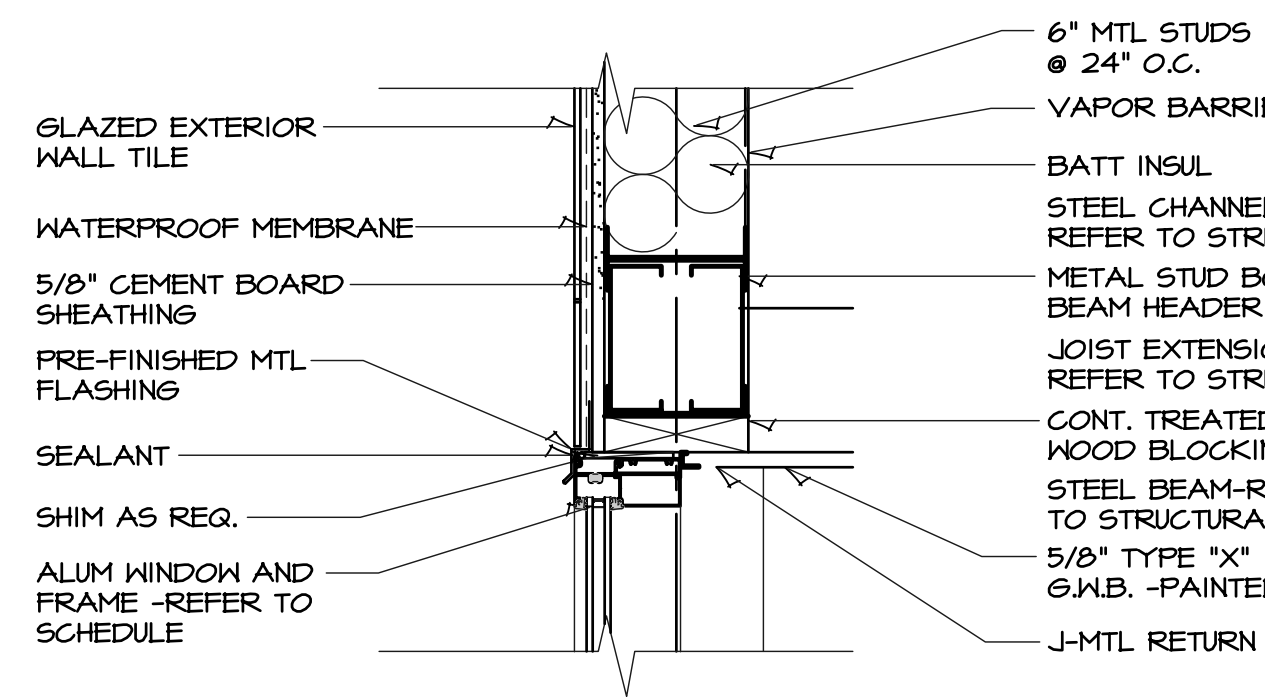
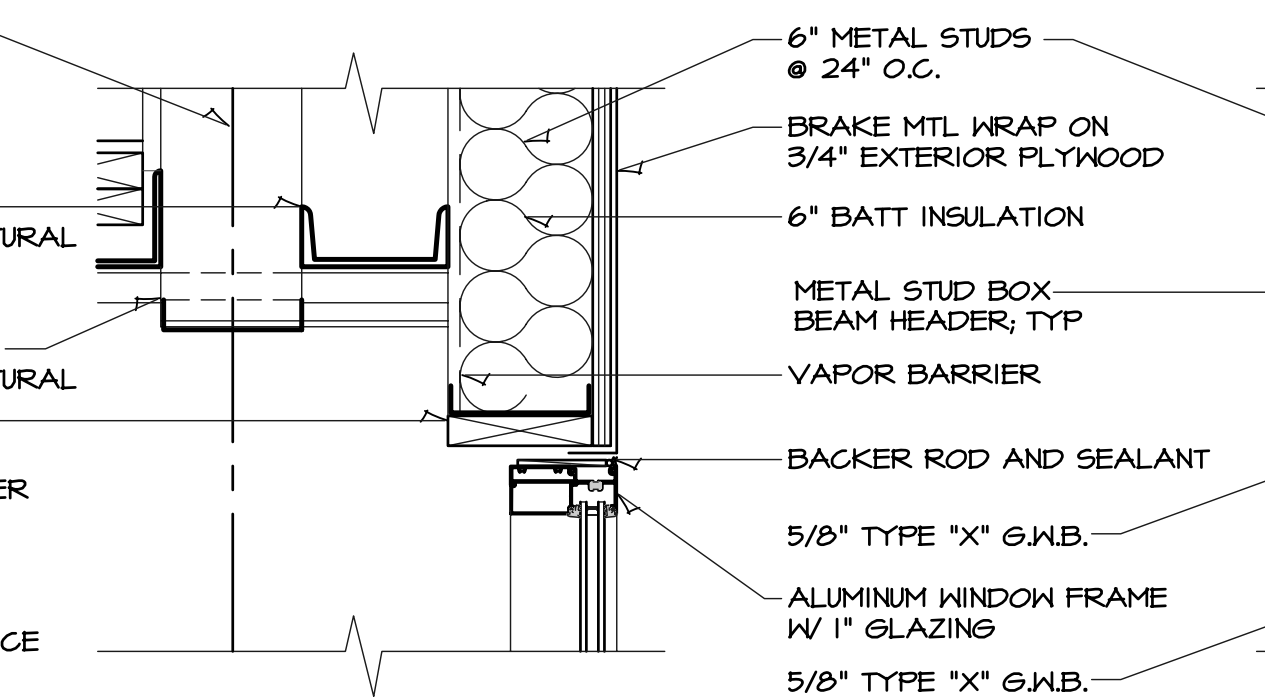


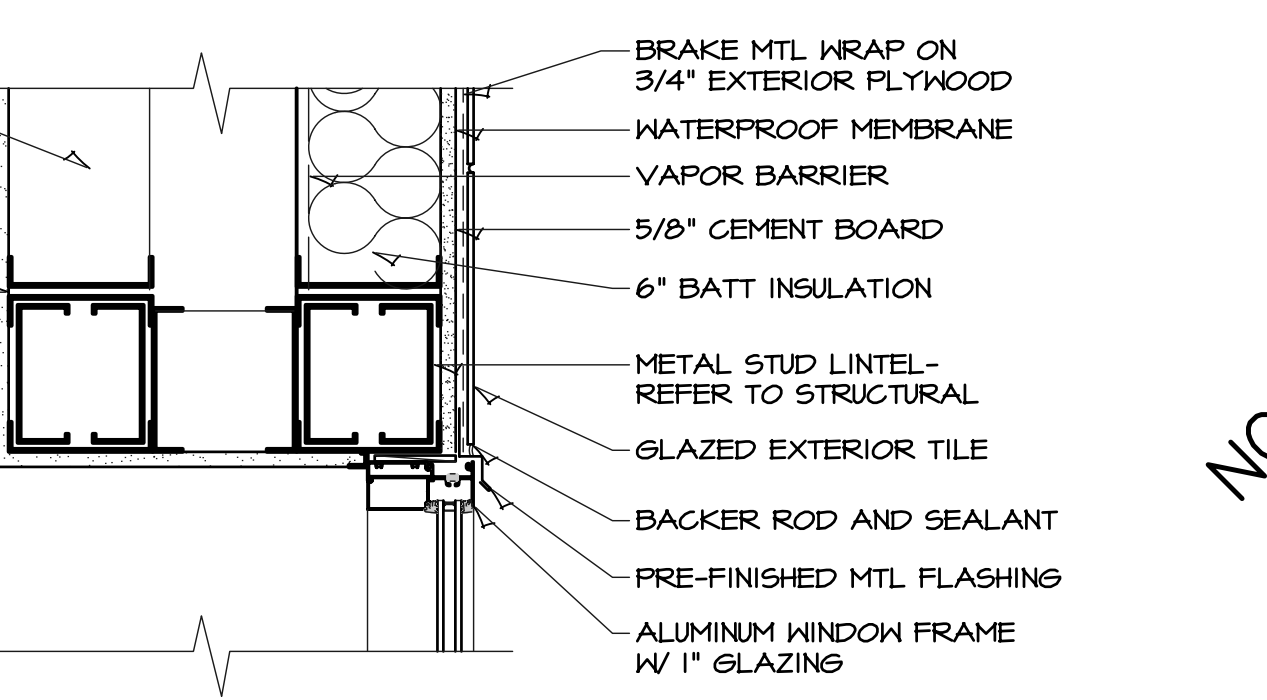
1 WINDOW HEAD
SCALE: 1/12" = 1'-0"



2 WINDOW HEAD
SCALE: 1/12" = 1'-0"



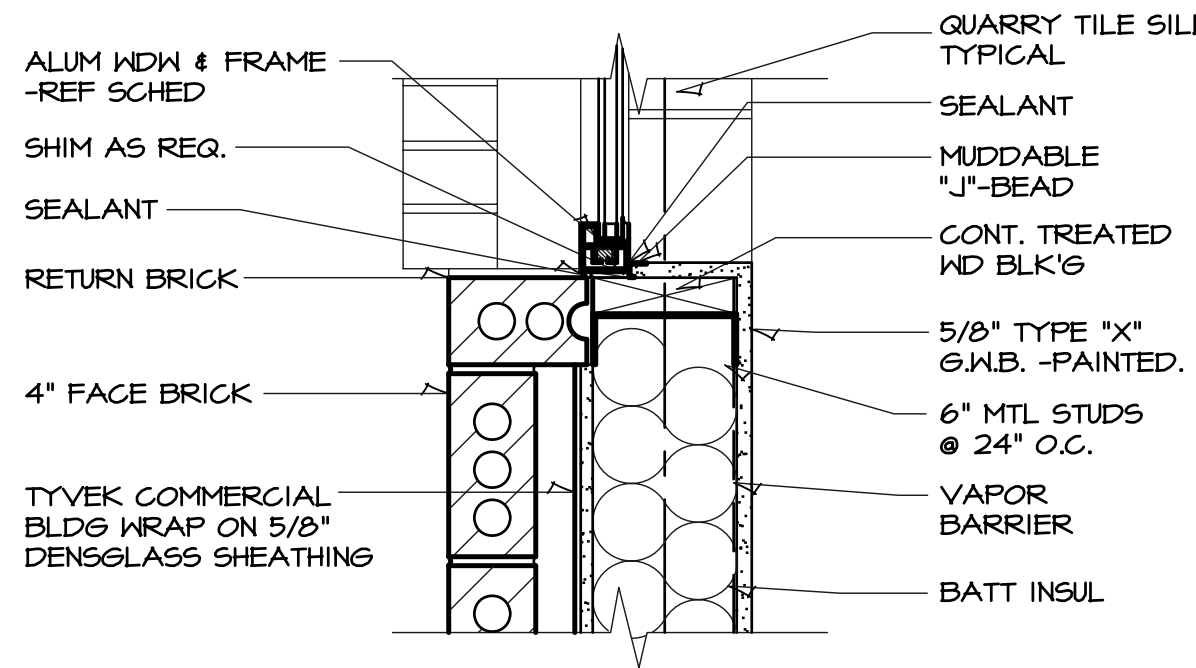
3 WINDOW HEAD
SCALE: 1/12" = 1'-0"



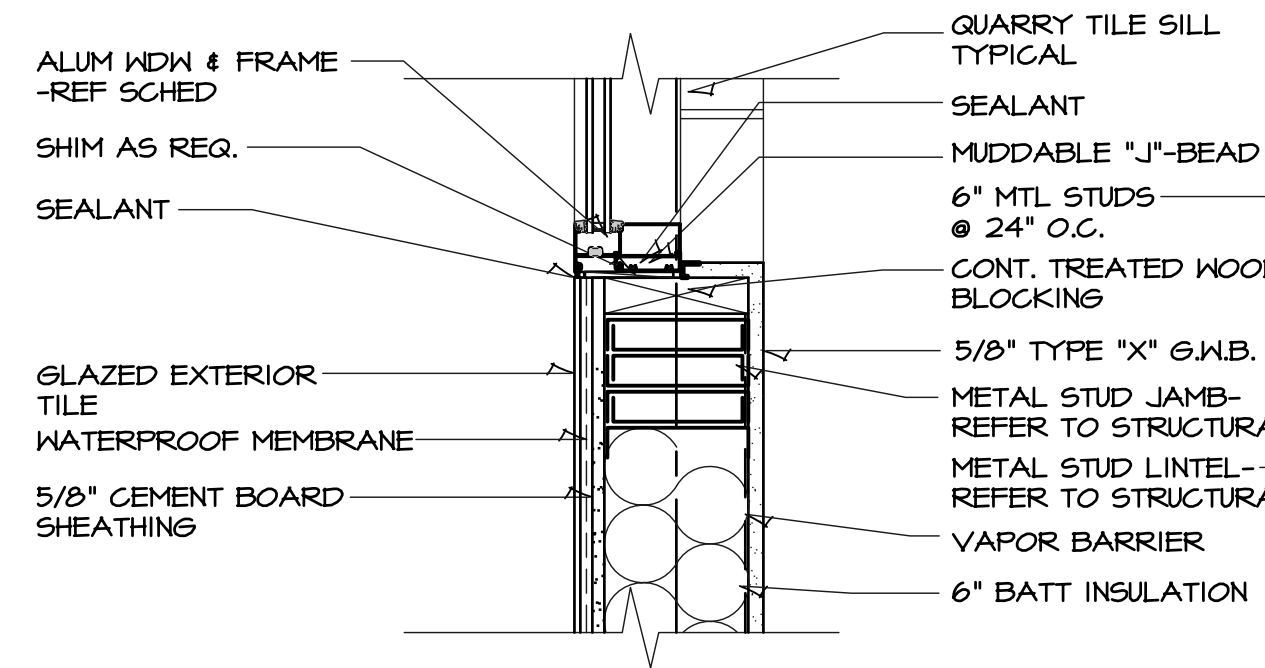
4 WINDOW HEAD
SCALE: 1/12" = 1'-0"

NOT USED

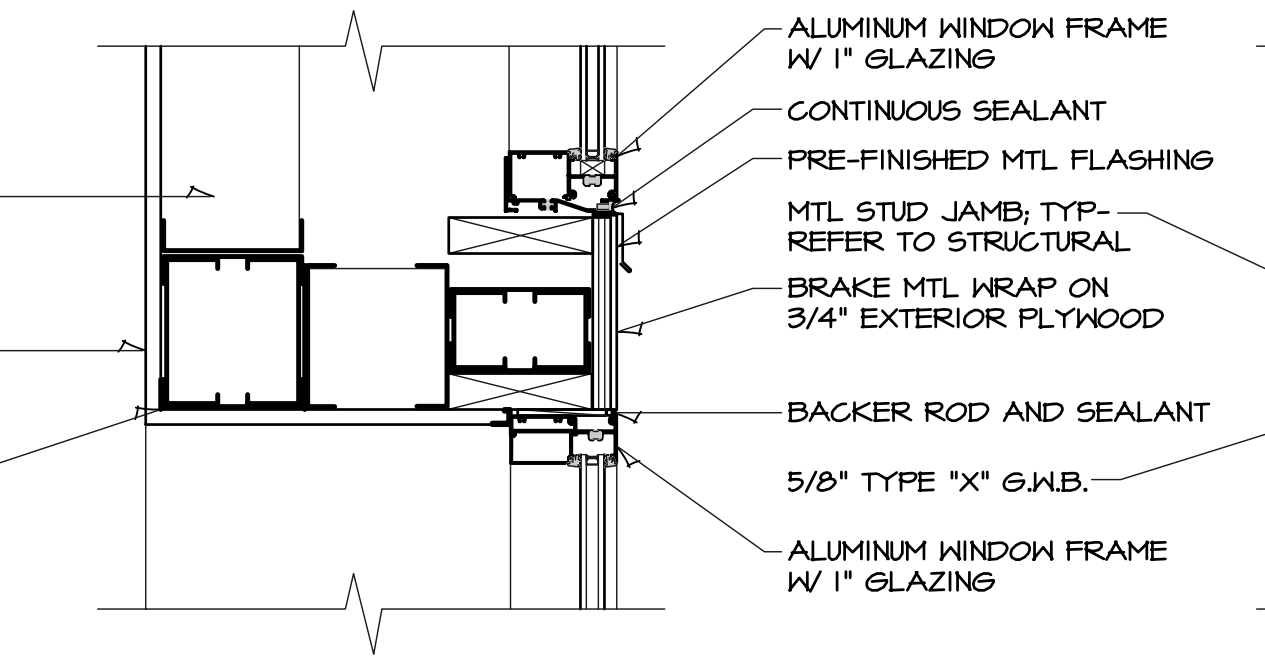
5 WINDOW HEAD
SCALE: 1/12" = 1'-0"



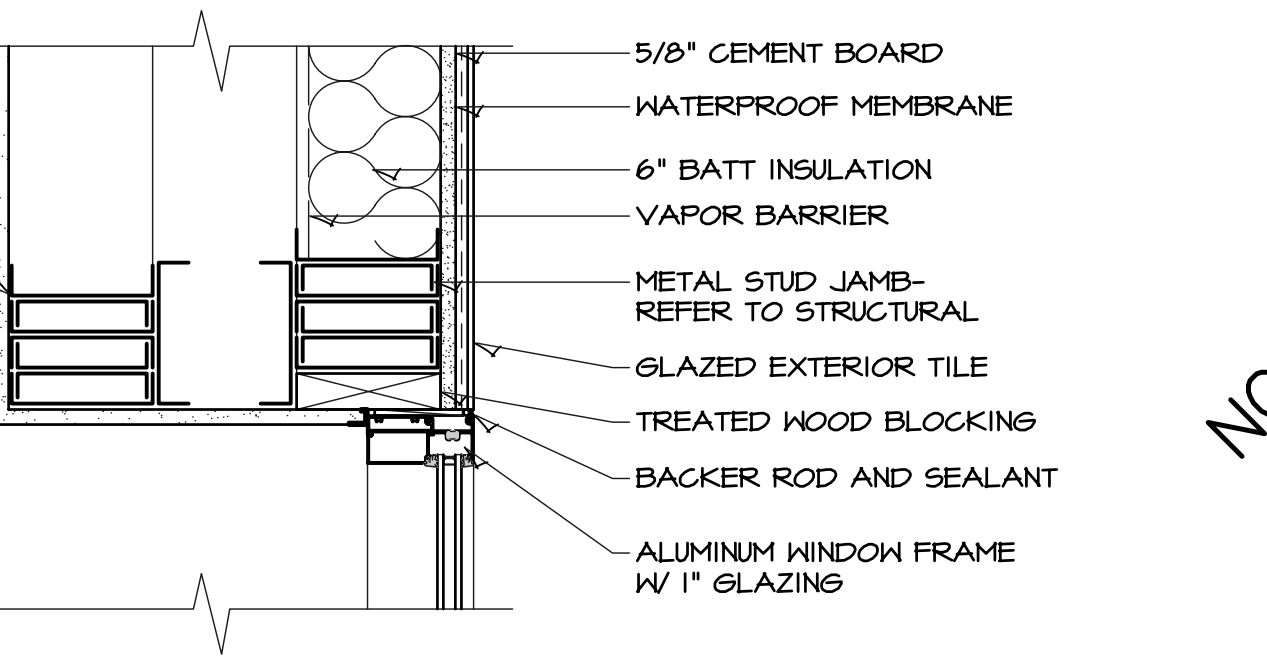
6 WINDOW JAMB
SCALE: 1/12" = 1'-0"



7 WINDOW JAMB
SCALE: 1/12" = 1'-0"



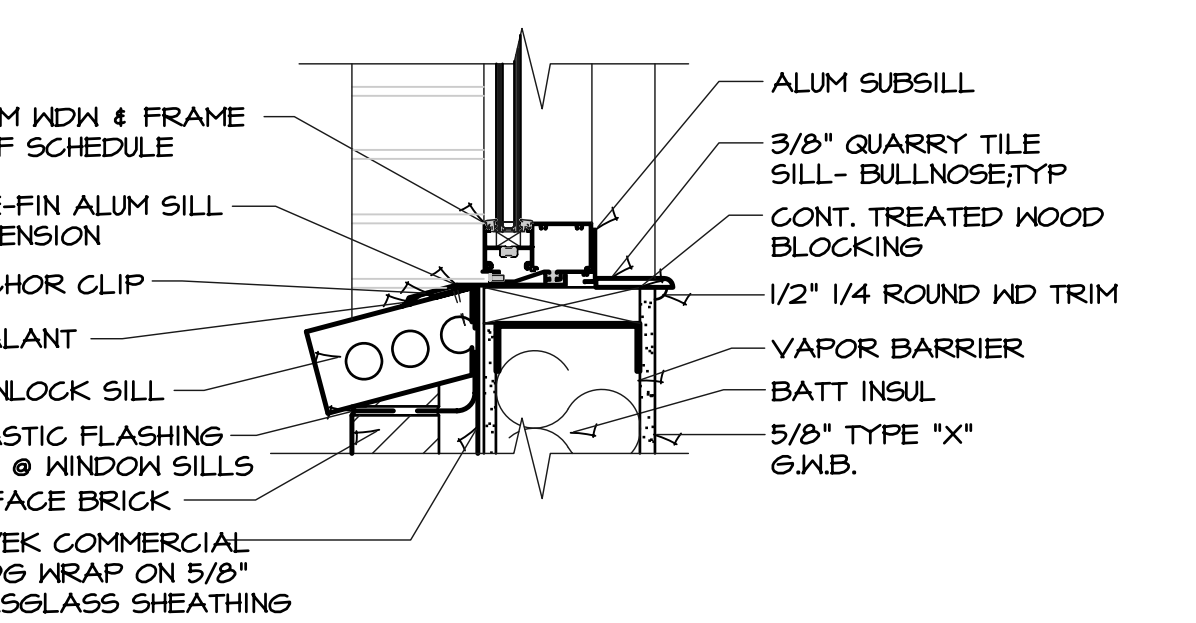
8 WINDOW DETAIL
SCALE: 1/12" = 1'-0"



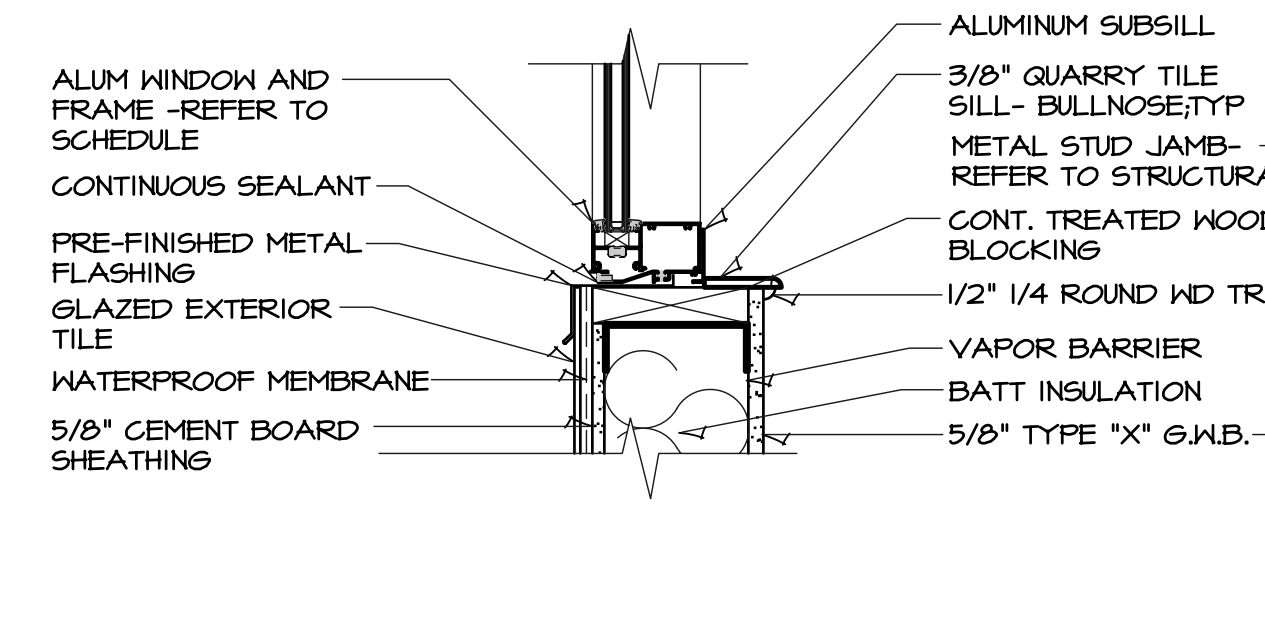
9 WINDOW JAMB
SCALE: 1/12" = 1'-0"

NOT USED

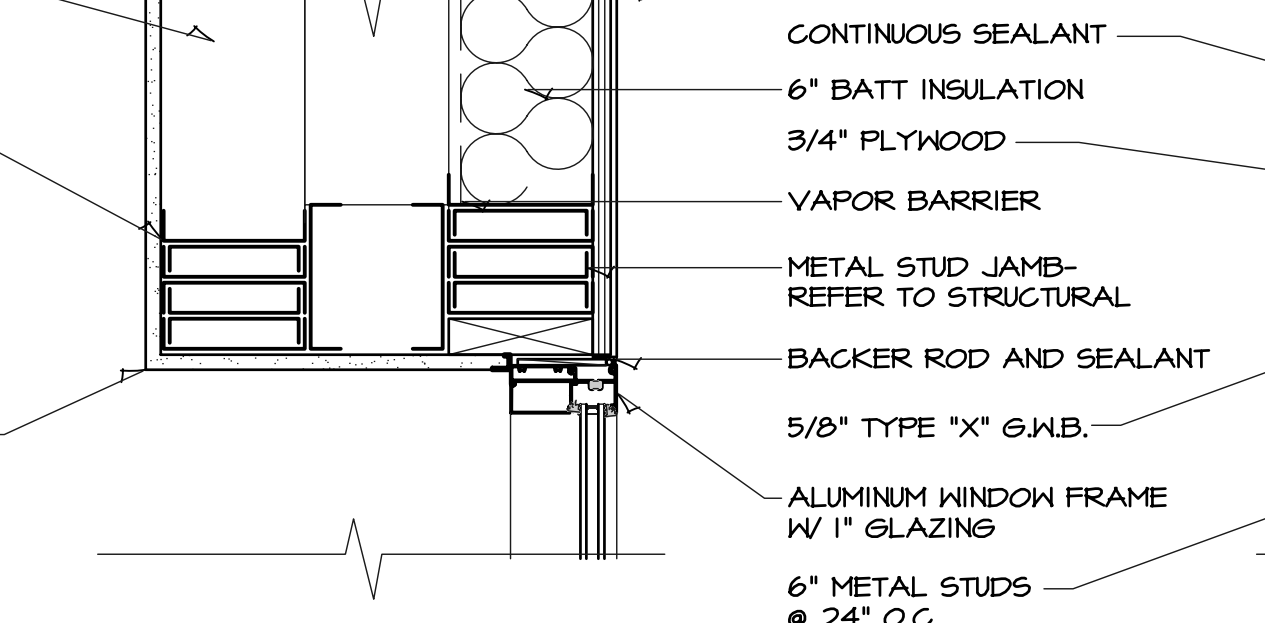
10 WINDOW JAMB
SCALE: 1/12" = 1'-0"



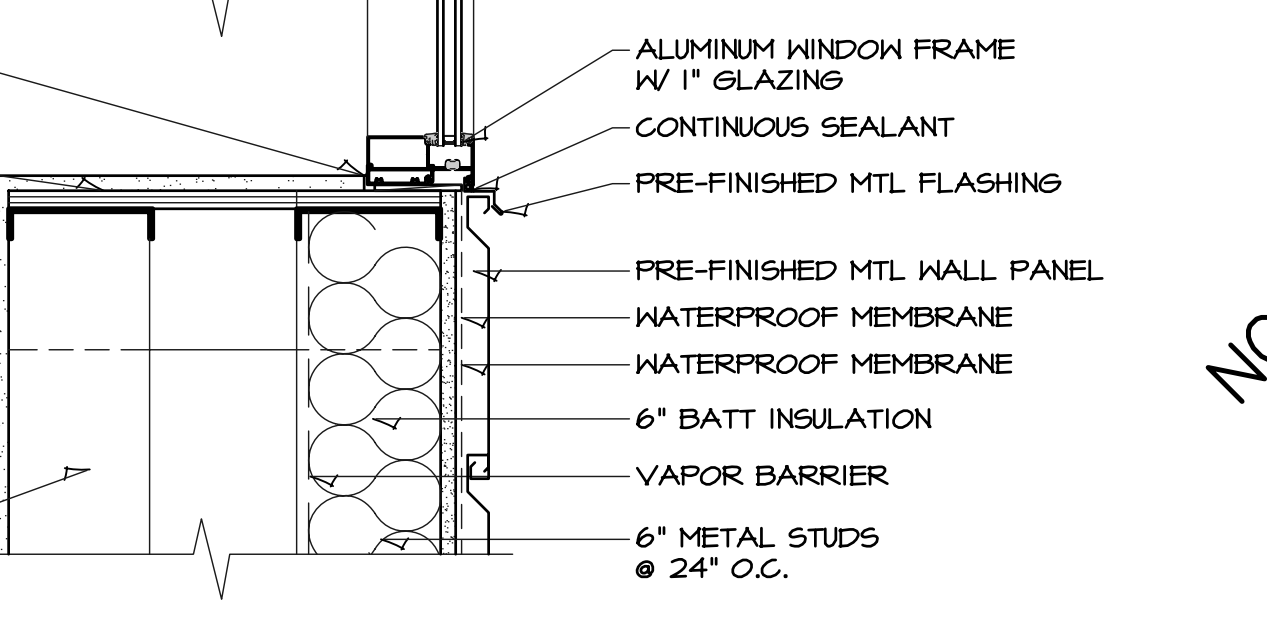
11 WINDOW SILL
SCALE: 1/12" = 1'-0"



12 WINDOW SILL
SCALE: 1/12" = 1'-0"



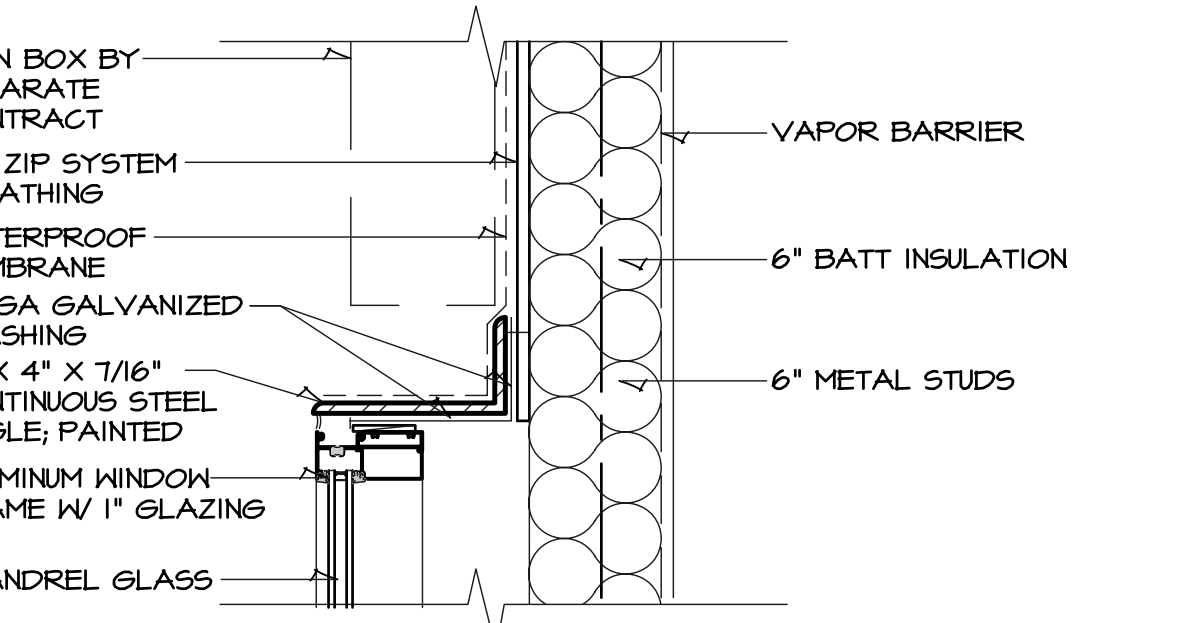
13 WINDOW JAMB
SCALE: 1/12" = 1'-0"



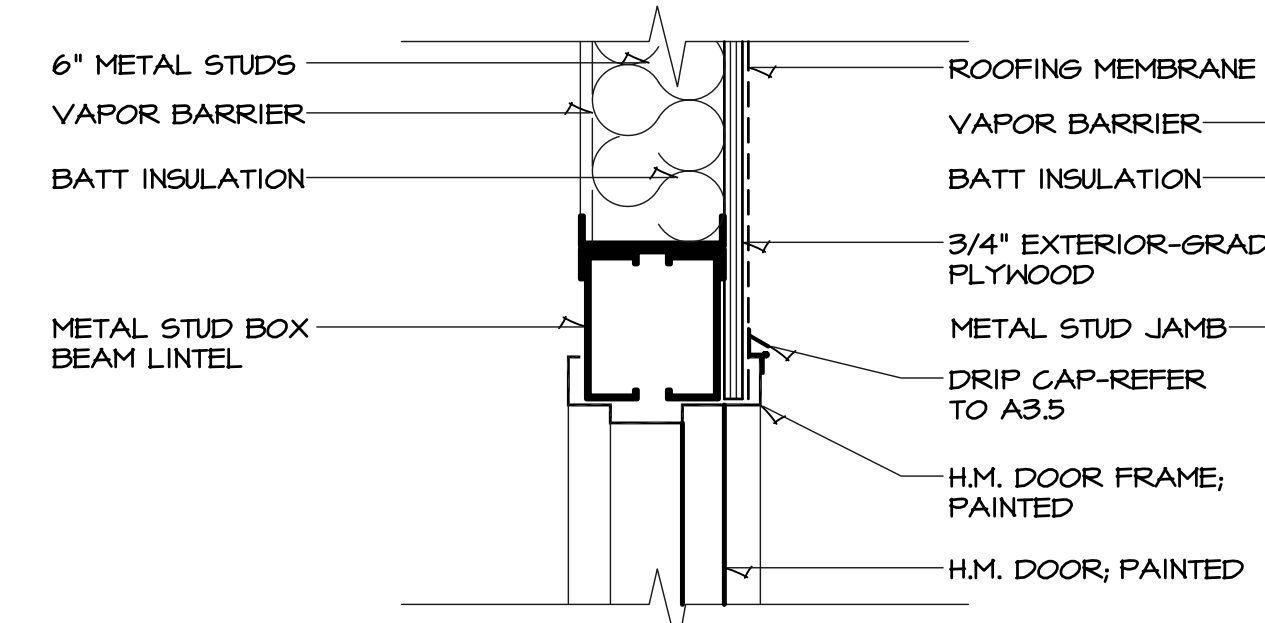
14 WINDOW SILL
SCALE: 1/12" = 1'-0"

NOT USED

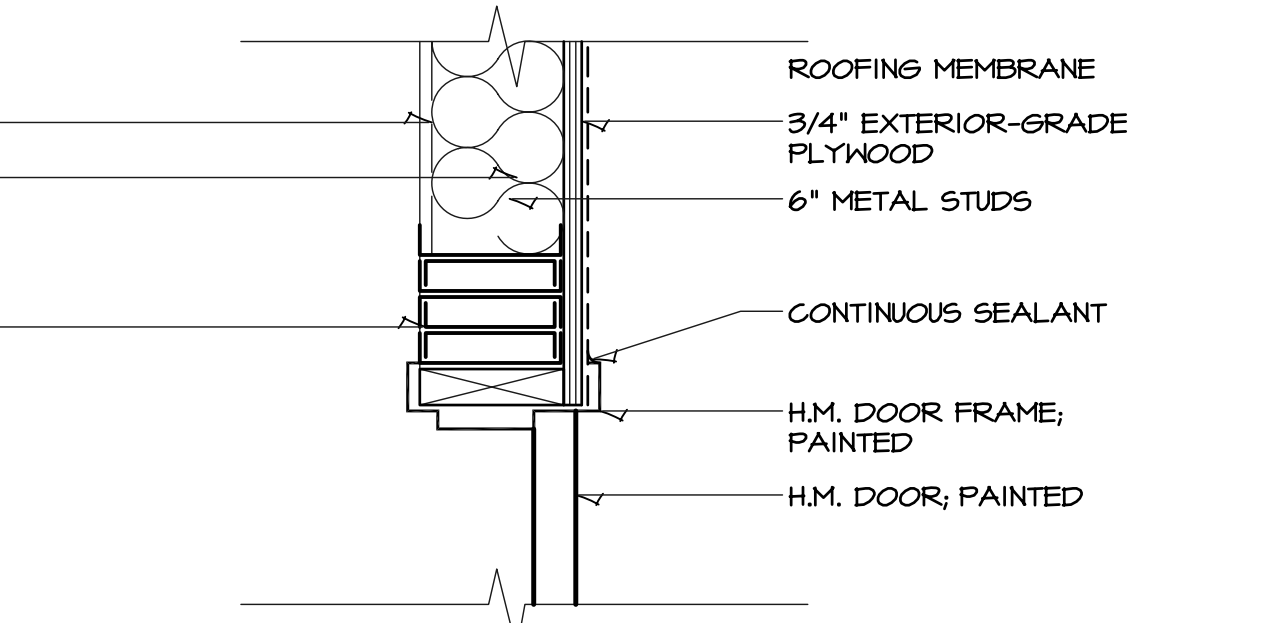
15 WINDOW SILL
SCALE: 1/12" = 1'-0"



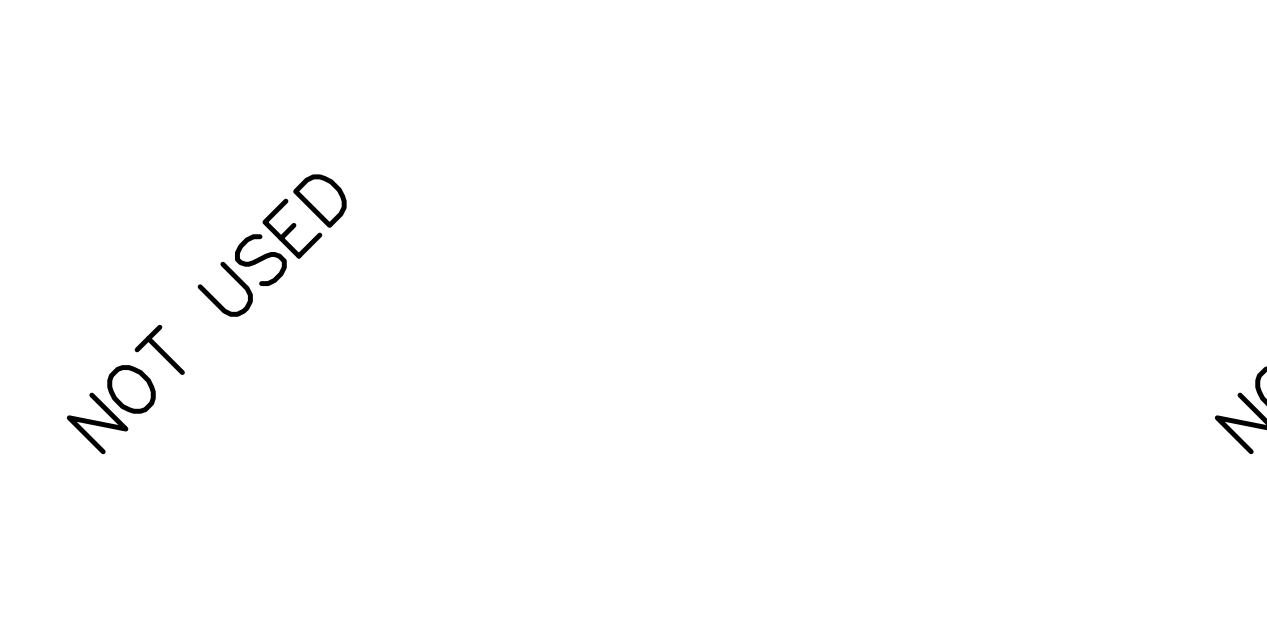
16 WINDOW HEAD
SCALE: 1/12" = 1'-0"



17 DOOR HEAD
SCALE: 1/12" = 1'-0"



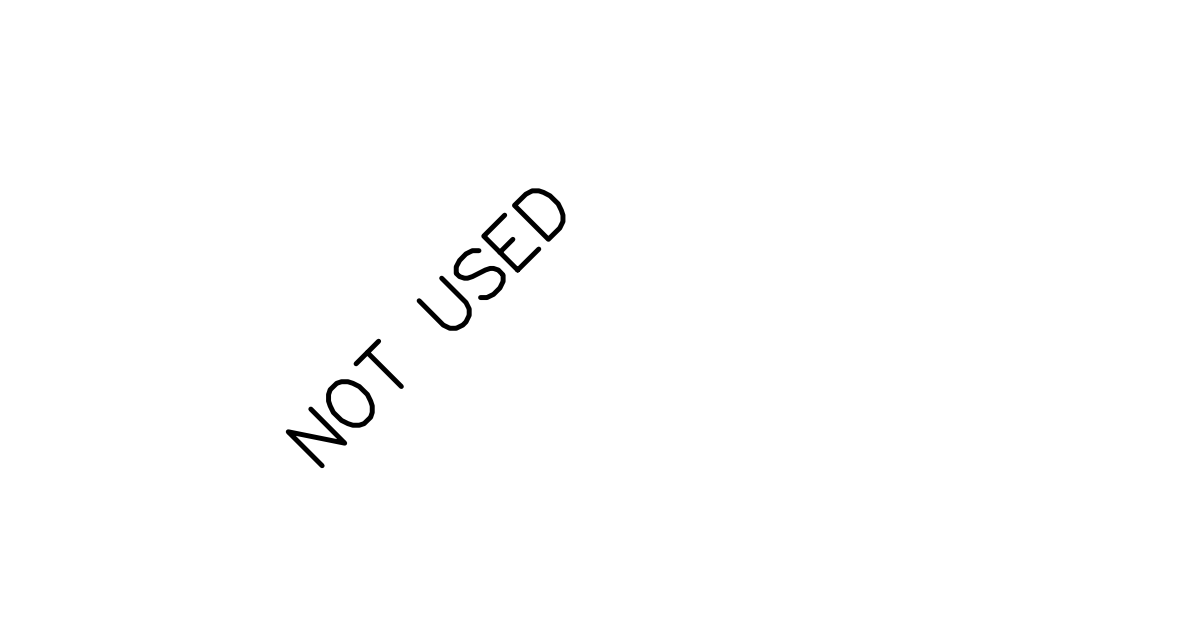
18 DOOR JAMB
SCALE: 1/12" = 1'-0"



19 COLUMN DETAIL
SCALE: 1/12" = 1'-0"

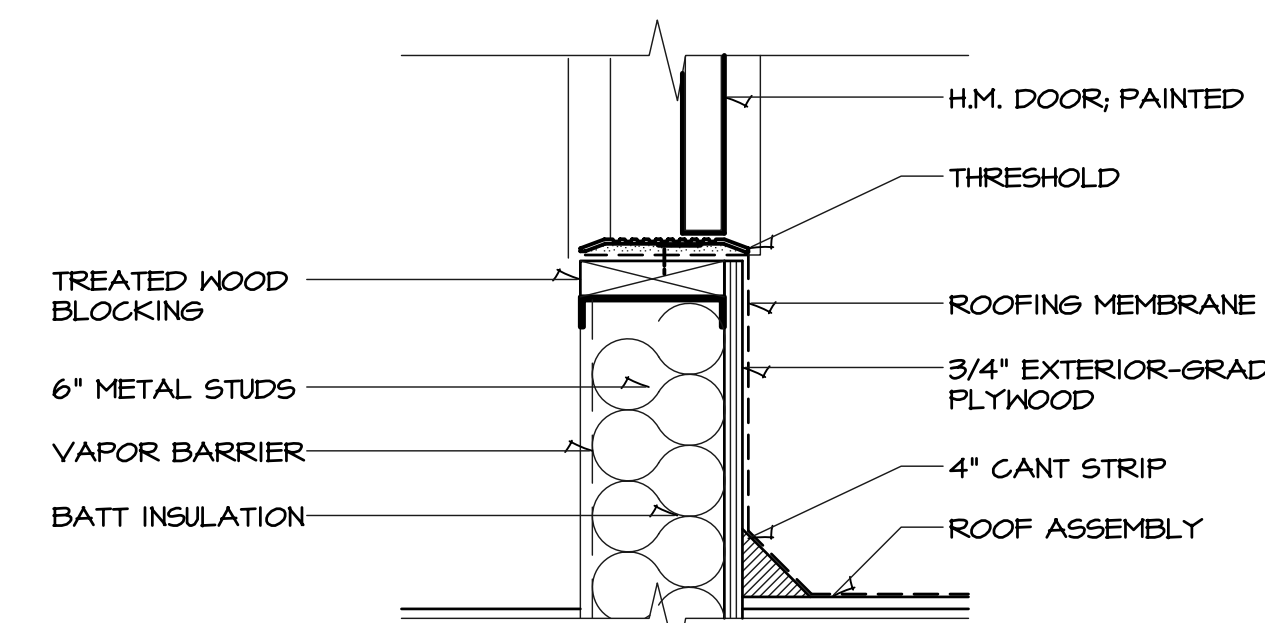
NOT USED

20 WALL DETAIL
SCALE: 1/12" = 1'-0"



21 O.H.D. JAMB
SCALE: 1/12" = 1'-0"

NOT USED



22 DOOR SILL
SCALE: 1/12" = 1'-0"

HANNEY & ASSOCIATES, ARCHITECTS
1726 South Hillside, Wichita, Kansas, 67211
Phone (316) 883-8965
Fax (316) 884-1441
www.hanneyarchitects.com

2011
NEW CO-BRAND CONVENIENCE STORE
2201 East Kansas Ave. + McPherson, Kansas + 67460
DOMINION REAL ESTATE, LLC + 342 North Quentin + Wichita, Kansas 67207-3713

DRAWINGS ISSUED		
NO.	DATE	ITEM ISSUED
4	12/23	ISSUED FOR BIDS
3	12/15	COORDINATION
2	12/06	ZONING MEETING
1	10/19	REVIEW

COMPUTER DRAWING
MPCSTOREA306.DWG

DATE: OCTOBER 2011
DRAWN BY: JP, TH, BS, CH
CHECKED BY: MH

SHEET
A3.6
OF SHEETS