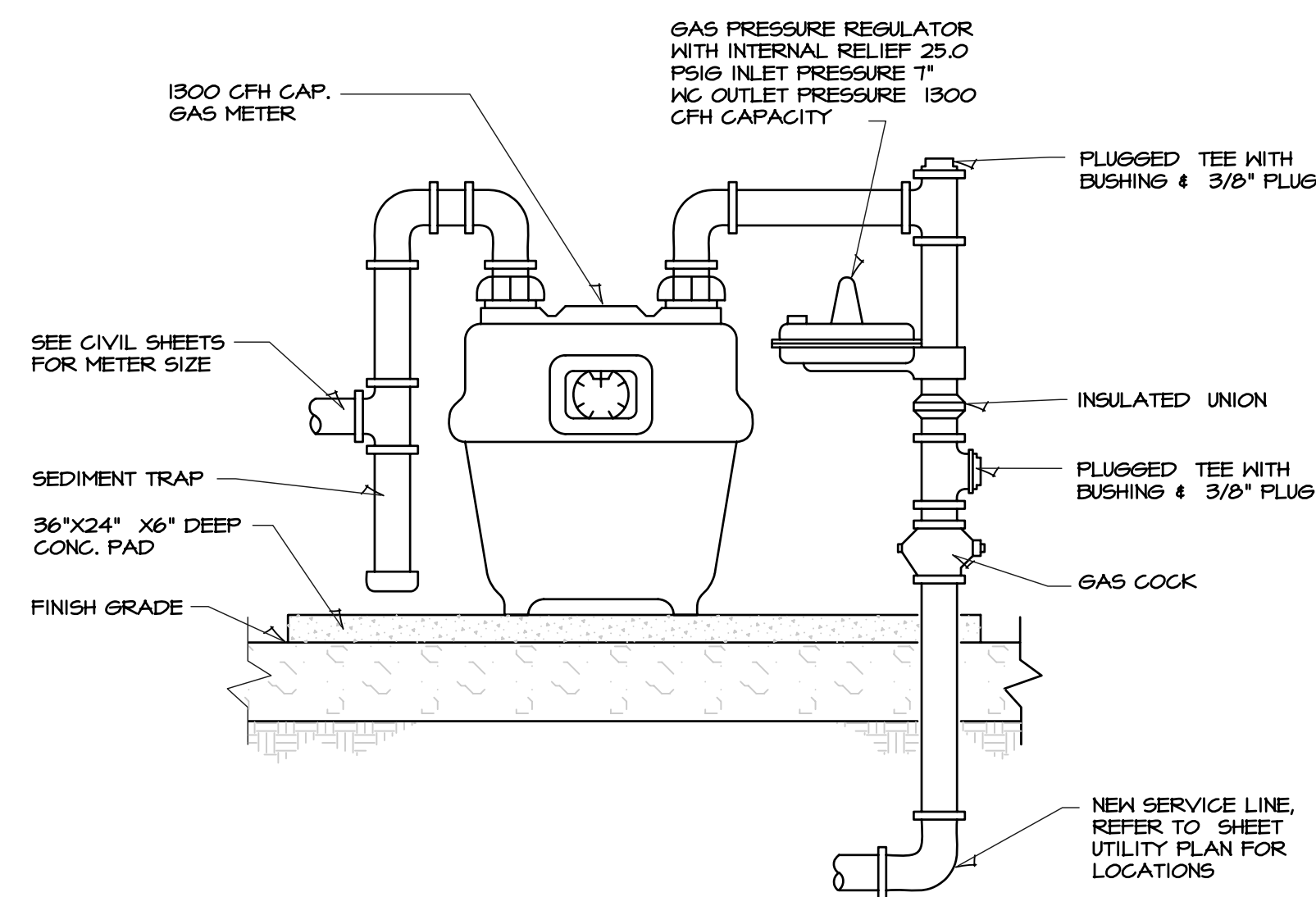


DRAWINGS ISSUED		
NO.	DATE	ITEM ISSUED
5	12/25	ADDENDUM 2
4	12/23	ISSUED FOR BIDS
3	12/15	COORDINATION
2	12/06	ZONING MEETING
1	10/19	REVIEW

COMPUTER DRAWING
 MPCstoreC102.dwg

DATE: OCTOBER 2011
 DRAWN BY: JP, TH, BS, CH
 CHECKED BY: MH

SHEET
AS1.4
 OF SHEETS

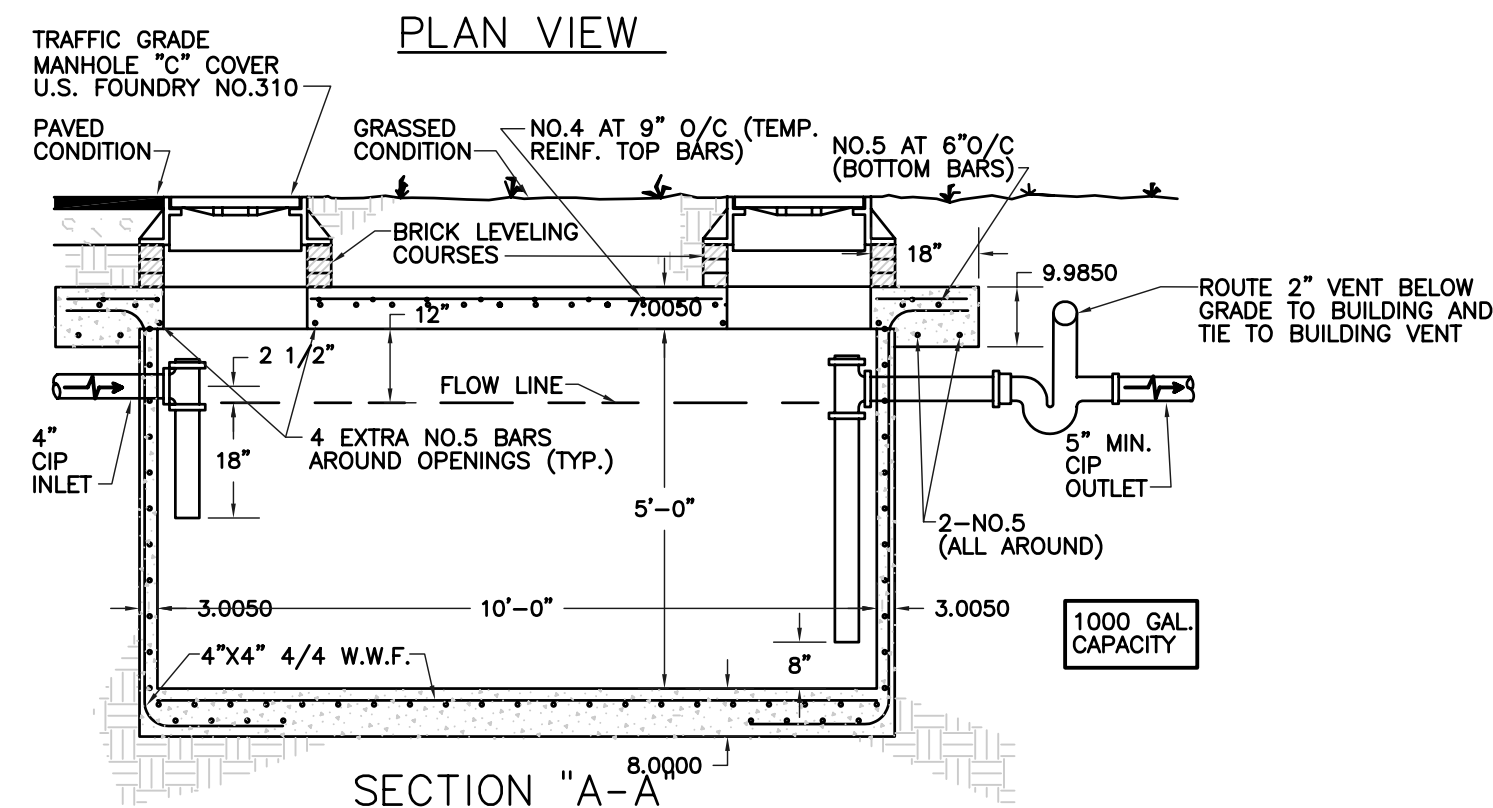
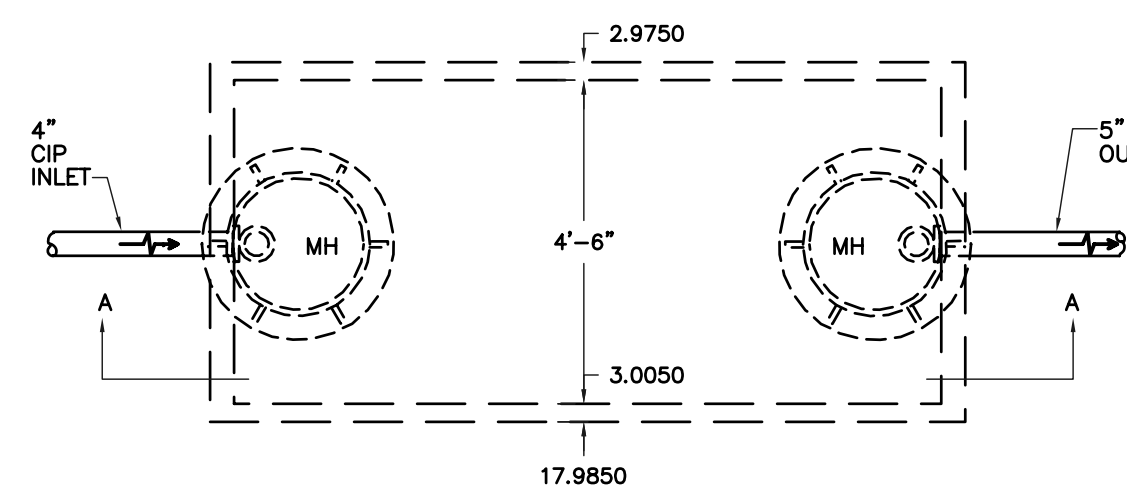


NOTE:

GAS LINE SHALL HAVE INSULATED WRAPPING UP TO 6" ABOVE GRADE.

1 GAS METER & REGULATOR

SCALE: N.T.S.

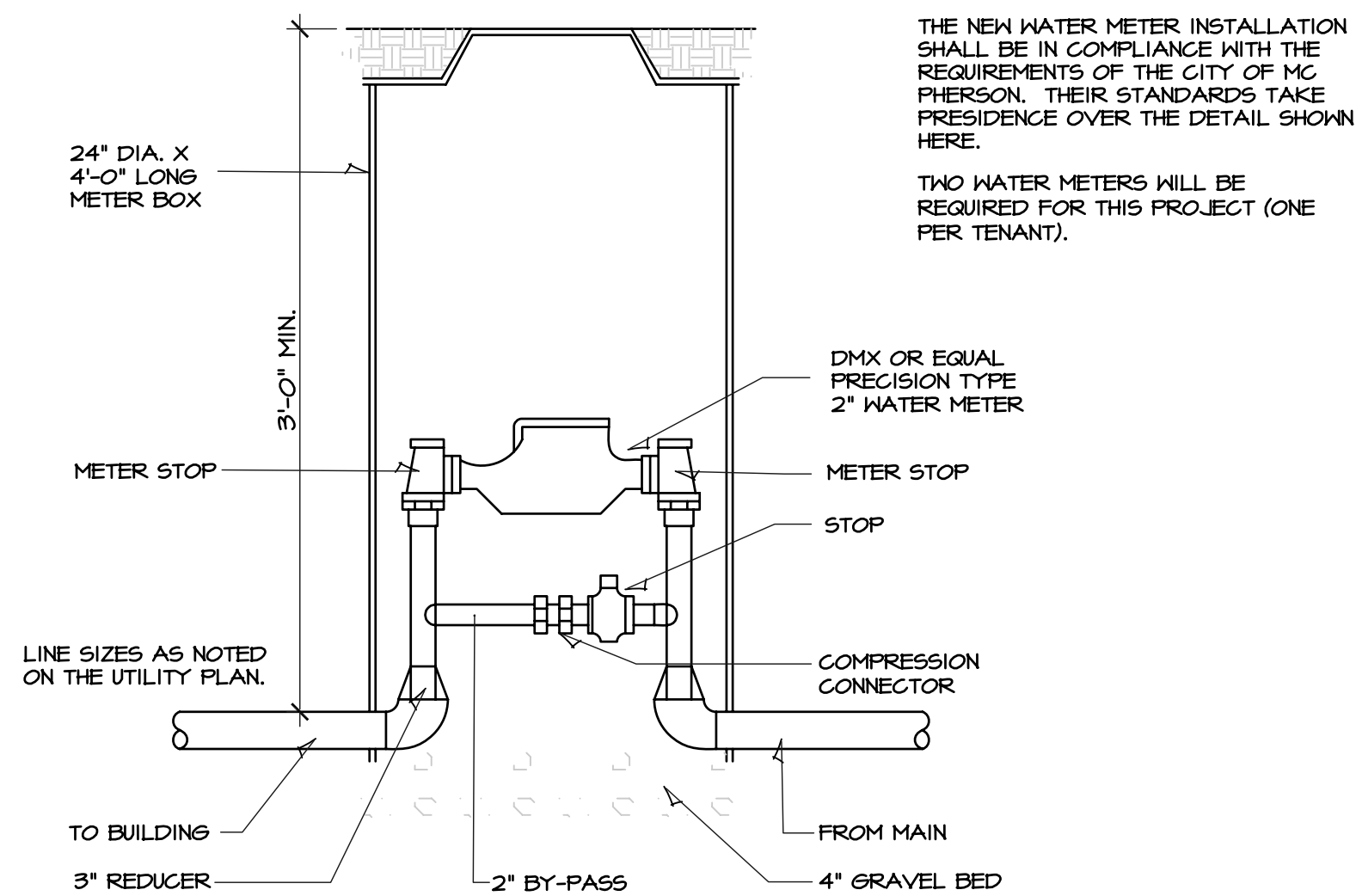


NOTES:

1. PRECAST UNITS ARE APPROVED FOR USE PER ABOVE DESIGN AND DIMENSIONS.
2. BITUMASTIC COATING ON BOTTOM AND ALL SIDES (EXTERIOR ONLY).
3. LOCAL STANDARD CODE SHALL APPLY IF REQUIREMENTS EXCEED THIS STANDARD DETAIL.

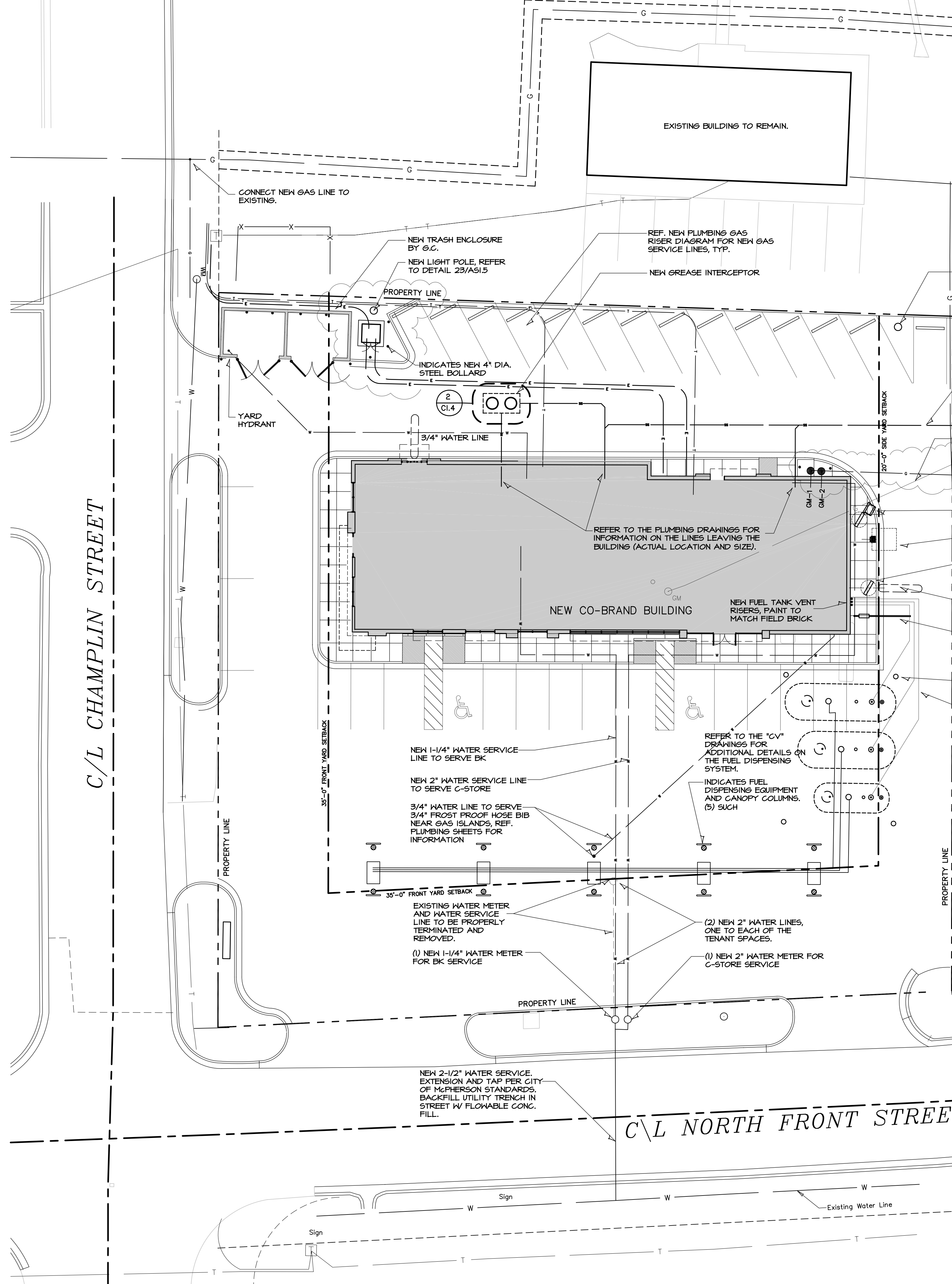
2 GREASE INTERCEPTOR

SCALE: N.T.S.



3 WATER METER DETAIL

SCALE: N.T.S.



A UTILITY PLAN

SCALE: 1/16" = 1'-0"

