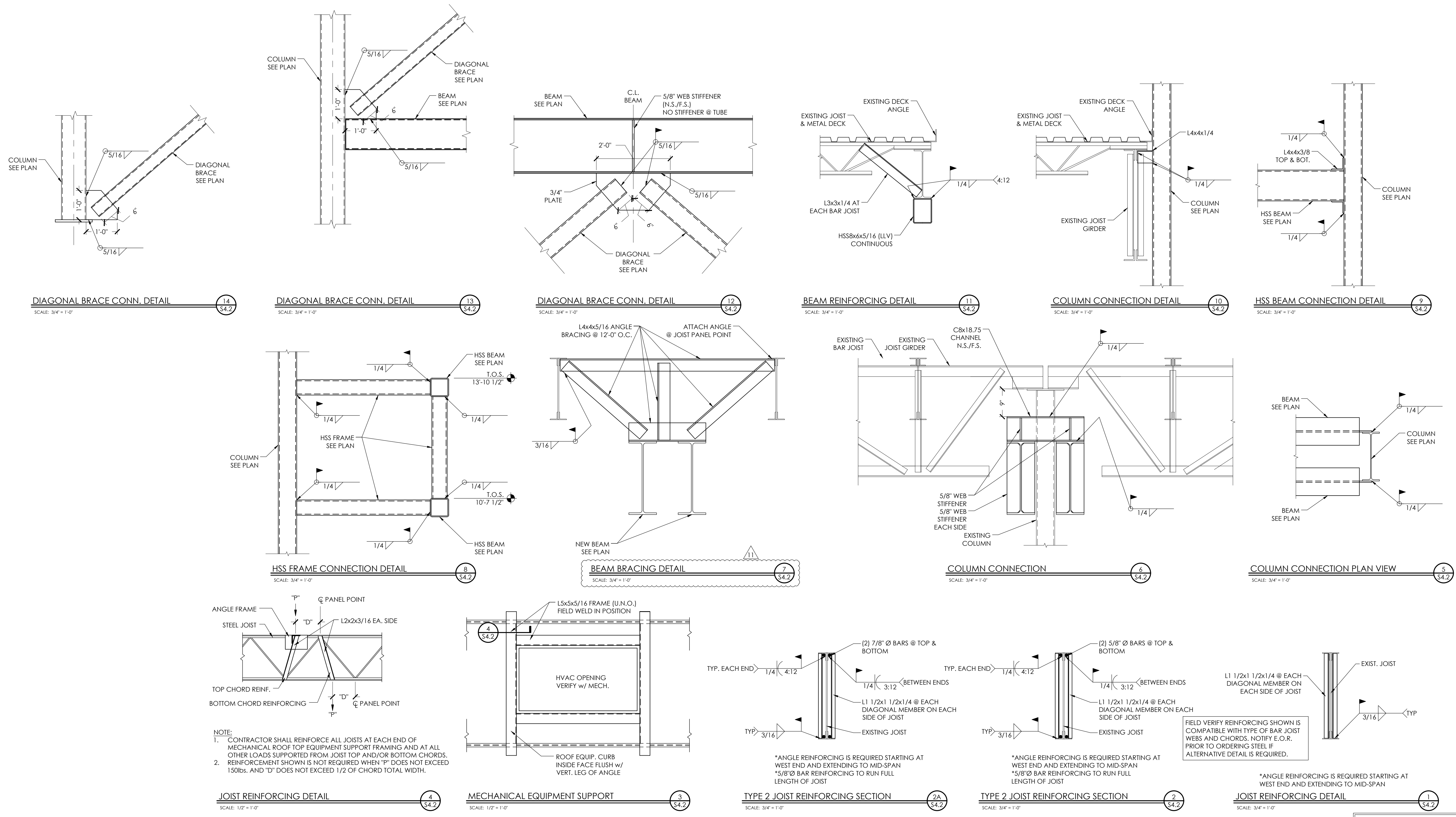


HANNEY & ASSOCIATES, ARCHITECTS
 1726 South Hillside, Wichita, Kansas, 67211
 Phone (316) 683-9865
 Fax (316) 684-1441

2022
GENESIS HEALTH CLUBS
 SOUTHBRIDGE MALLSPACE 0010
 1111 East Army Post Road
 Des Moines, Iowa 50315



NOTE:
 1. CONTRACTOR SHALL REINFORCE ALL JOISTS AT EACH END OF MECHANICAL ROOF TOP EQUIPMENT SUPPORT FRAMING AND AT ALL OTHER LOADS SUPPORTED FROM JOIST TOP AND/OR BOTTOM CHORDS.
 2. REINFORCEMENT SHOWN IS NOT REQUIRED WHEN "P" DOES NOT EXCEED 150lbs. AND "D" DOES NOT EXCEED 1/2 OF CHORD TOTAL WIDTH.

FIELD VERIFY REINFORCING SHOWN IS COMPATIBLE WITH TYPE OF BAR JOIST WEBS AND CHORDS. NOTIFY E.O.R. PRIOR TO ORDERING STEEL IF ALTERNATIVE DETAIL IS REQUIRED.

*ANGLE REINFORCING IS REQUIRED STARTING AT WEST END AND EXTENDING TO MID-SPAN
 *5/8" Ø BAR REINFORCING TO RUN FULL LENGTH OF JOIST

*ANGLE REINFORCING IS REQUIRED STARTING AT WEST END AND EXTENDING TO MID-SPAN

DRAWINGS ISSUED			
NO.	DATE	ITEM	ISSUED
11	5/6/22	ADDENDUM #4	
10	3/25/22	CODE REVISIONS	
9	3/1/22	PERMIT SET	
8	1/25/22	CHECK SET	
7	12/15/21	CHECK SET	
6	9/24/21	CHECK SET	
5	8/27/21	SITE PLAN REVIEW	
4	7/21/21	UDRB SUBMITTAL	
3	7/08/21	MILESTONE DEV. PLAN	
2	5/25/21	CONCEPT. DEV. PLAN	
1	3/20/21	CONCEPT. DEV. PLAN	

COMPUTER DRAWING
 U21-062

DATE: 5/6/2022
 DRAWN BY: CHECKED BY:
 HDM CJS

SHEET

S4.2

FOR PERMIT