

HANNEY & ASSOCIATES, ARCHITECTS  
1726 South Hillside, Wichita, Kansas, 67211  
Phone (316) 883-8965  
Fax (316) 884-1441  
www.hanarchitects.com

**2019**  
**OXFORD ELEMENTARY SCHOOL**  
**UNIFIED SCHOOL DISTRICT 358**  
 319 East College Street, Oxford, Kansas 67119

DRAWINGS ISSUED		
NO.	DATE	ITEM ISSUED
8	9/1/19	ADDENDA 2
7	8/1/19	ISSUED FOR BIDS
6	8/1/19	90% REVIEW
5	7/5/19	REVIEW
4	6/24/19	REVIEW
3	5/6/19	REVIEW
2	4/27/19	REVIEW
1	4/10/19	REVIEW

COMPUTER DRAWING  
RCDL0\_A301.DWG

DATE: AUGUST, 2019  
DRAWN BY: MRH  
CHECKED BY: MRH

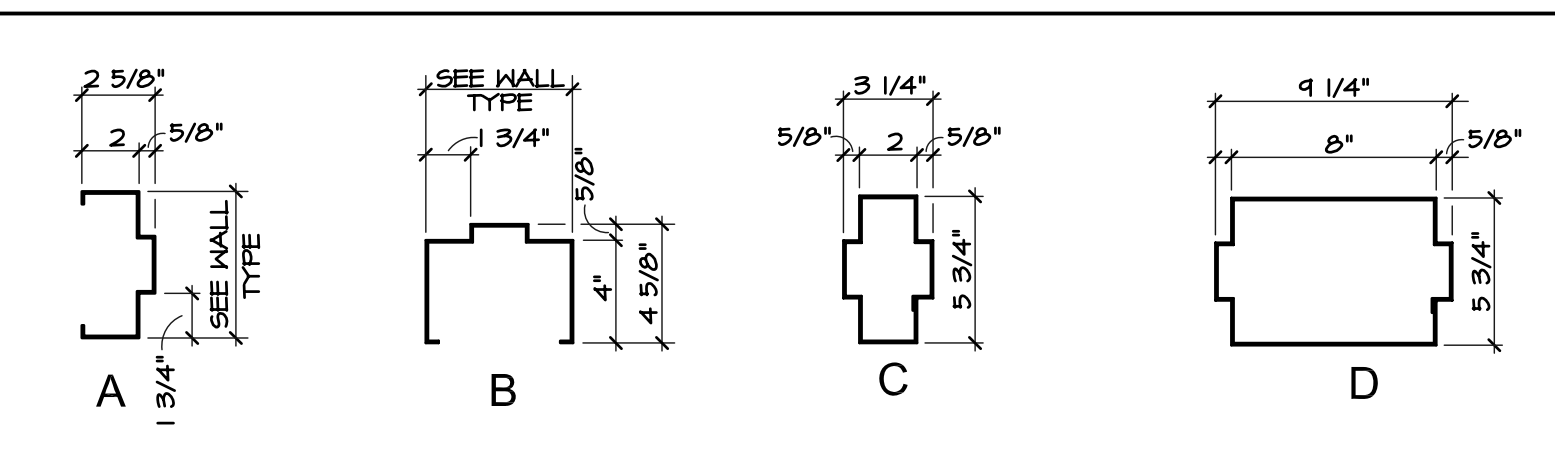
SHEET  
**A3.1**  
OF 1 SHEETS

## DOOR SCHEDULE

\* REFER TO SPECIFICATIONS FOR HARDWARE SCHEDULE

DOOR NO.	DOOR				FRAME			FIRE RATING (F.P.S.C.)	HOW SET NO.	SMOKE GASKET	MAG HOLD OPEN	ELEC DELAY	HOLD OPEN	ELEC ACCESS	LOCK ACCESS	REMARKS
	MATL.	TYPE	THK.	WIDTH	HEIGHT	MATL.	TYPE									
						HEAD	JAMB	SILL								
101a	ALUM.	A2	1-3/4"	6'-0"	7'-0"	ALUM.	(M)	3/A3.1	-	3						FIELD VERIFY SIZE OF OPENING
101b	WD.	-	1-3/4"	3'-0"	7'-0"	H.M.			60-M	-						EXISTING TO REMAIN
102a	ALUM.	M3	-	2'-8"	4'-2"	WD.			60-M	5						2'-6" x 3'-10" OVERHEAD COILING DOOR
110a	H.M.	M1	1-3/4"	2'-8"	7'-0"	H.M.	6F	142/A3.1	1A3.1	3/A3.1	-	1				FIELD VERIFY SIZE OF OPENING
110b	H.M.	M2	1-3/4"	5'-0"	7'-0"	H.M.	2F		60-M	11						FIELD VERIFY SIZE OF OPENING
110c																NEW THRESHOLD w/ NEW FLOORING
110d																NEW THRESHOLD w/ NEW FLOORING
111a																NEW THRESHOLD w/ NEW FLOORING
112a	WD.	M2	1-3/4"	5'-0"	7'-0"	H.M.	2F	142/A3.1	1A3.1	3/A3.1	-	?				FIELD VERIFY SIZE OF OPENING
112b																NEW THRESHOLD w/ NEW FLOORING
112c																NEW THRESHOLD w/ NEW FLOORING
128a	WD.	W1	1-3/4"	3'-0"	7'-0"	H.M.	1F		60-M	6						
132a	WD.	W1	1-3/4"	3'-0"	7'-0"	H.M.	4F		20-M	7						
132b	ALUM.	A1	1-3/4"	3'-0"	7'-0"	ALUM.	(N)	142 / A3.1	1/A3.1	3/A3.1	-	?				EMERGENCY EXIT, ADA COMPLIANT PANIC HARDWARE
133a	WD.	W1	1-3/4"	3'-0"	7'-0"	H.M.	4F		20-M	7						
133b	ALUM.	A1	1-3/4"	3'-0"	7'-0"	ALUM.	(N)	142 / A3.1	1/A3.1	3/A3.1	-	?				EMERGENCY EXIT, ADA COMPLIANT PANIC HARDWARE
134a	WD.	W1	1-3/4"	3'-0"	3'-6"	WD.			-	4						HALF HIGH DOOR. - WOOD FINISH TRIM
134b	WD.	W1	1-3/4"	3'-0"	3'-6"	WD.			-	4						HALF HIGH DOOR. - WOOD FINISH TRIM
151a	ALUM.	A2	1-3/4"	6'-0"	8'-0"	ALUM.	(P)	142 / A3.1	1/A3.1	3/A3.1	-	2				
151b	ALUM.	A2	1-3/4"	6'-0"	8'-0"	ALUM.	(P)		-	4						
152a	WD.	W1	1-3/4"	3'-0"	7'-0"	H.M.	1F		20-M	10						TOILET ROOM
154a	WD.	W1	1-3/4"	3'-0"	7'-0"	H.M.	1F		20-M	10						TOILET ROOM
156a	WD.	W1	1-3/4"	3'-0"	7'-0"	H.M.	1F		60-M	11						
160a	H.M.	MF2	1-3/4"	6'-0"	7'-0"	H.M.	2FE		-	12						FEMA DOOR AND FRAME
161a	WD.	W1	1-3/4"	3'-0"	7'-0"	H.M.	4F		20-M	13						
161b	H.M.	MF1	1-3/4"	3'-8"	4'-8"	H.M.	5FE		-	14						FEMA DOOR AND FRAME
161c	H.M.	MF1	1-3/4"	3'-8"	4'-8"	H.M.	5FE		-	14						FEMA DOOR AND FRAME
162a	WD.	W1	1-3/4"	3'-0"	7'-0"	H.M.	4F		20-M	15						
162b	H.M.	MF1	1-3/4"	3'-0"	7'-0"	H.M.	1FE		20-M	16						FEMA DOOR AND FRAME
162c	H.M.	MF1	1-3/4"	3'-8"	4'-8"	H.M.	5FE		-	14						FEMA DOOR AND FRAME
162d	H.M.	MF1	1-3/4"	3'-8"	4'-8"	H.M.	5FE		-	14						FEMA DOOR AND FRAME
163a	WD.	W1	1-3/4"	3'-0"	7'-0"	H.M.	4F		20-M	13						
163b	H.M.	M1	1-3/4"	3'-8"	4'-8"	H.M.	5FE		-	14						FEMA DOOR AND FRAME
163c	H.M.	M1	1-3/4"	3'-8"	4'-8"	H.M.	5FE		-	14						FEMA DOOR AND FRAME
164a	ALUM.	A2	1-3/4"	6'-0"	7'-0"	ALUM.	(R)	142 / A3.1	1/A3.1	3/A3.1	-	2				EMERGENCY EXIT, ADA COMPLIANT PANIC HARDWARE
164b	H.M.	MF2	1-3/4"	7'-0"	7'-0"	H.M.	2FE		-	17						FEMA DOOR AND FRAME - ADA PANIC HARDWARE

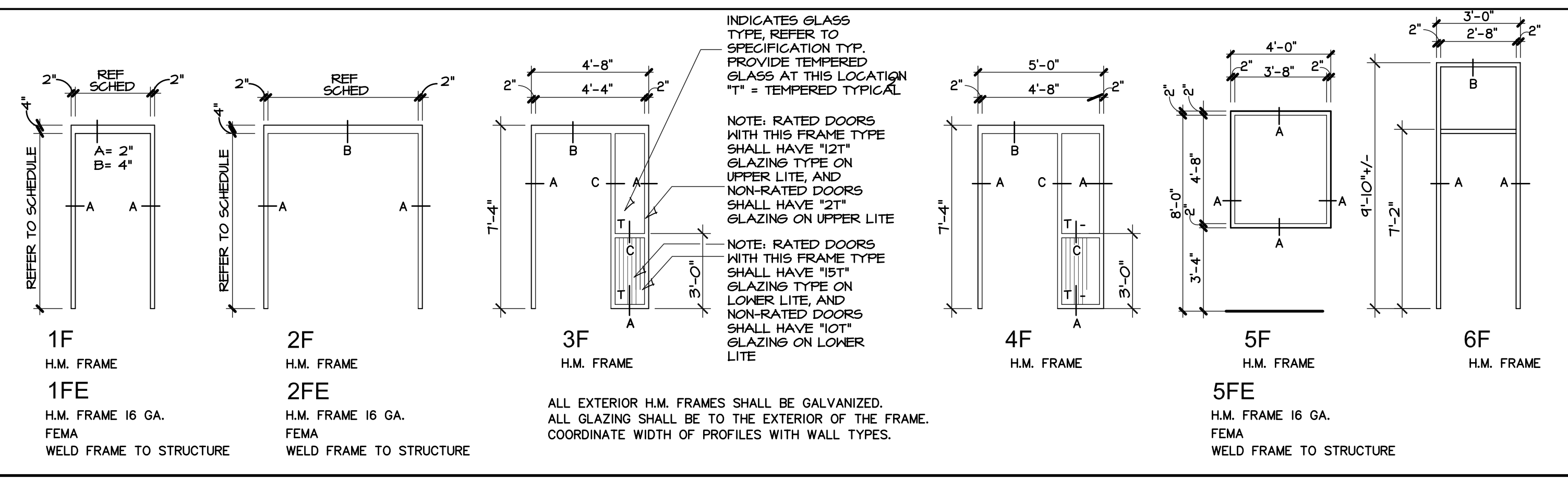
## H.M. - FRAME PROFILES



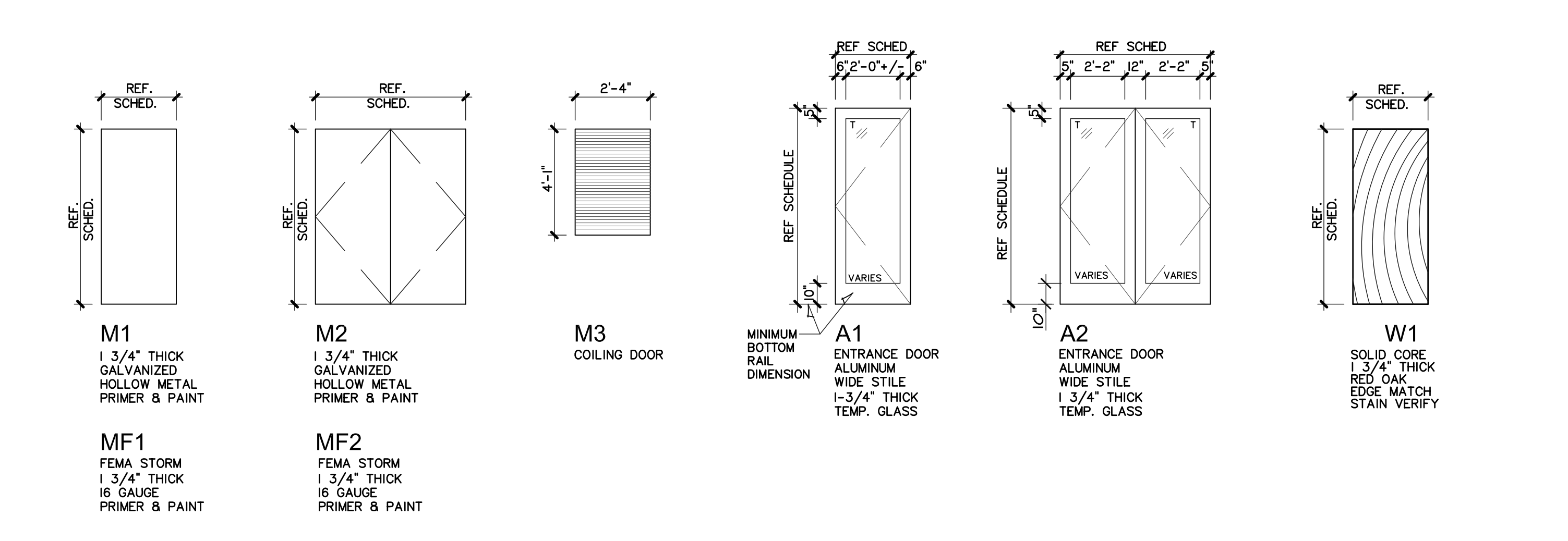
## GENERAL NOTES

- WEATHER STRIPPING BY ALUM. DOOR SUPPLIER
- ALL HOLLOW METAL FRAMES IN CMU ARE TO HAVE A 4" HEAD.

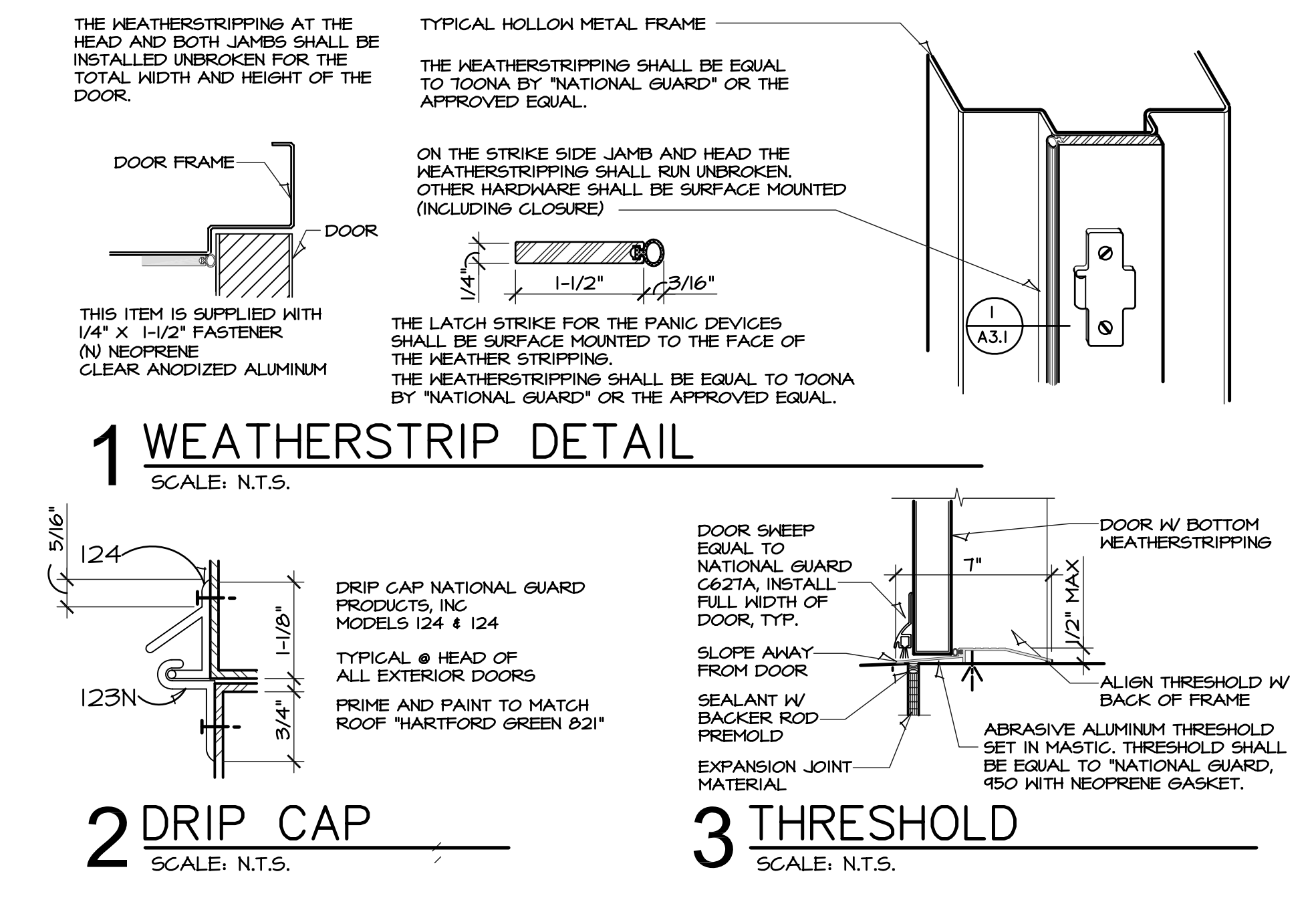
## HOLLOW METAL FRAME TYPES



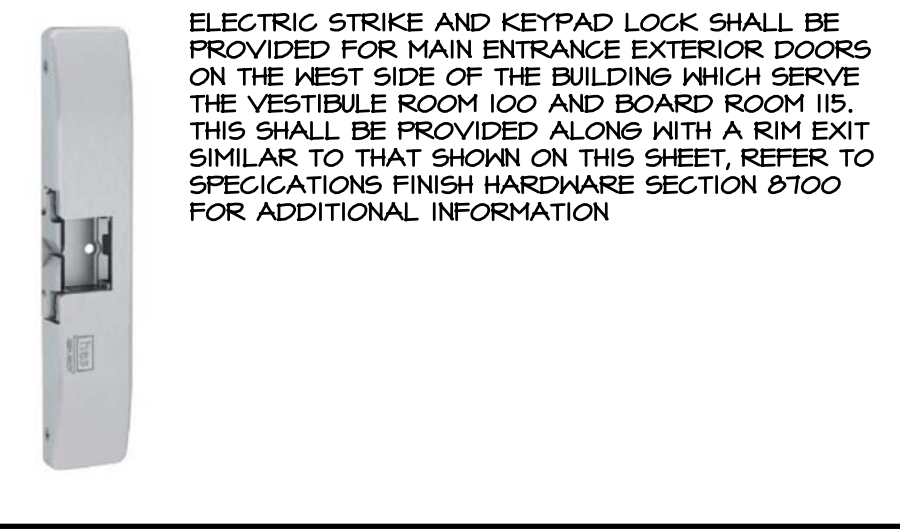
## DOOR TYPES



## HARDWARE DETAILS



## ELECTRIC STRIKE LOCK



## KEYPAD RIM EXIT



## DETAILS

### OCCUPANCY INDICATOR - SINGLE TOILET ROOMS

ELECTRICAL CONTRACTOR SHALL PROVIDE AND INSTALL A PARTIAL DOOR BELL SYSTEM AT EACH SINGLE USER RESTROOM. THE DOORBELL BUTTON IS THE OCCUPIED LIGHT. BLUE SHALL BE USED "MEN'S" AND AMBER FOR "WOMEN'S". THE DOORBELL BUTTON SHALL BE CENTERED OVER THE DOOR, AND APPROXIMATELY 12" ABOVE THE DOOR FRAME. THE EXACT LOCATION SHALL BE VERIFIED WITH THE ARCHITECT PRIOR TO ROUGH IN. THIS WORK SHALL INCLUDE THE DOOR BELL BUTTON SPECIFIED, AND NEW TRANSFORMER. NO CHIME IS REQUIRED FOR THE OCCUPANCY LIGHT SYSTEM.

THE ELECTRICAL CONTRACTOR SHALL PROVIDE THE MATERIALS AND LABOR FOR THE COMPLETE AND OPERATIONAL DOOR BELL SYSTEM.  
NO EXCEPTIONS OR SUBSTITUTIONS ON THE DOOR BELL BUTTON.



### DOOR BELL SYSTEM - ENTRANCE

ELECTRICAL CONTRACTOR SHALL PROVIDE AND INSTALL A DOOR BELL SYSTEM AT VESTIBULE 100 EXISTING DOOR ON THE WEST SIDE OF THE BUILDING. PROJECT SHALL INCLUDE THE DOOR BELL BUTTON SPECIFIED, NEW TRANSFORMER, AND NEW DOOR BELL CHIME AS SPECIFIED BELOW.

THE ELECTRICAL CONTRACTOR SHALL PROVIDE THE MATERIALS AND LABOR FOR THE COMPLETE AND OPERATIONAL DOOR BELL SYSTEM.  
NO EXCEPTIONS OR SUBSTITUTIONS ON THE DOOR BELL BUTTON.

