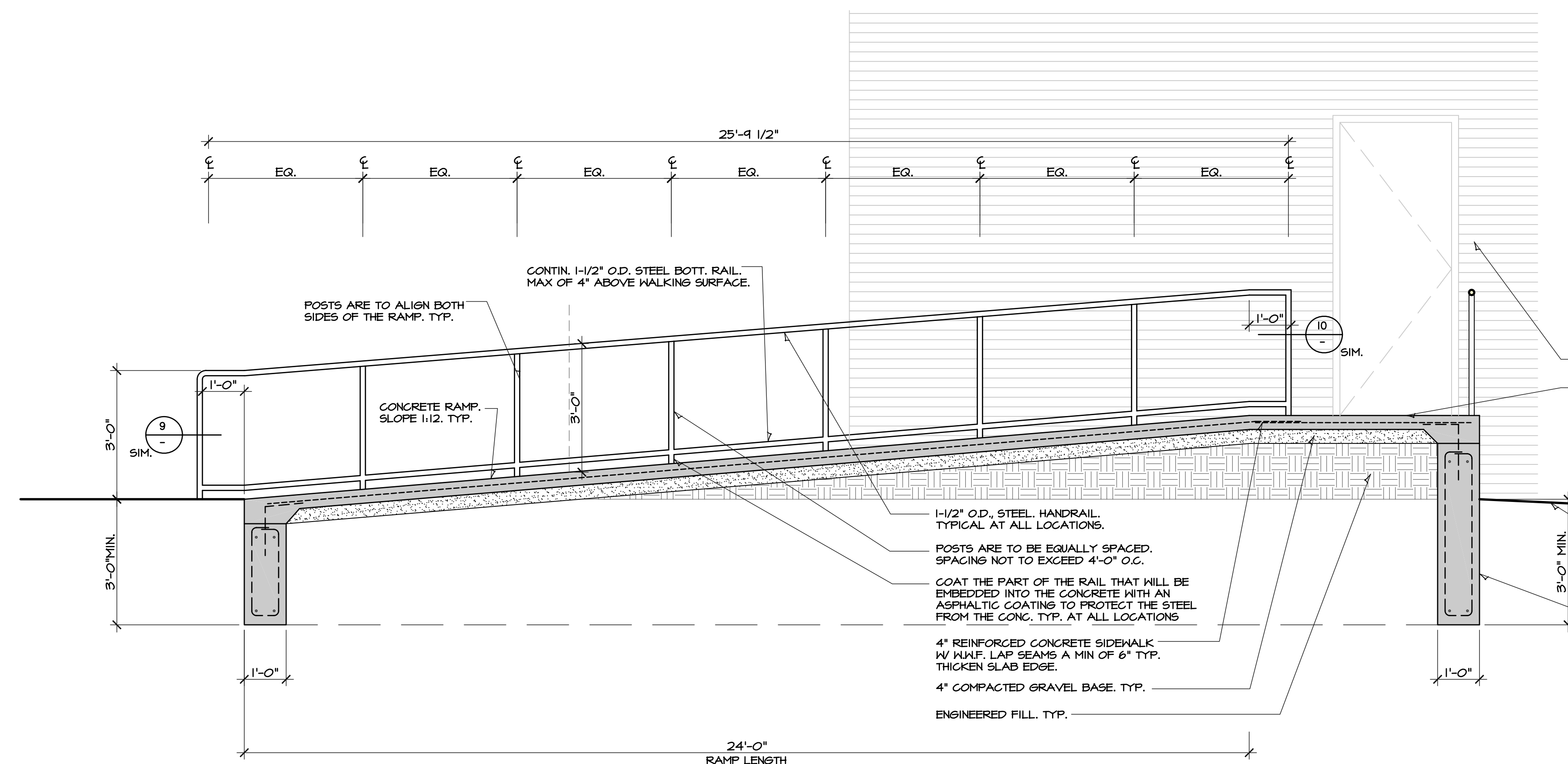
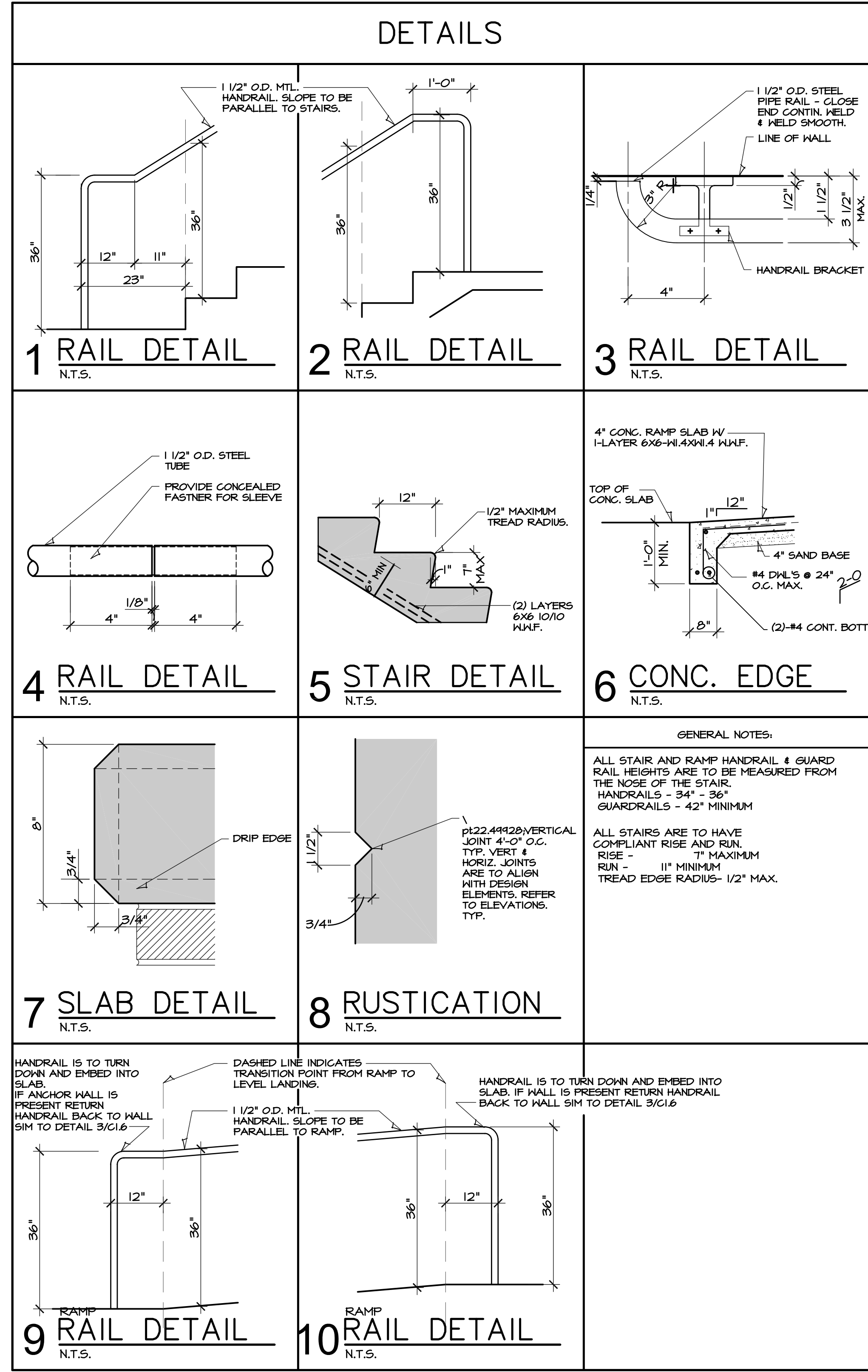


ALTERNATE #4 - CONCRETE STAIR
1 SECTION
 SCALE: 1/2" = 1'-0"

ALTERNATE #4 - CONCRETE RAMP
2 SECTION
 SCALE: 1/2" = 1'-0"



ALTERNATE #4 - CONCRETE RAMP
3 SECTION
 SCALE: 1/2" = 1'-0"



GENERAL NOTES:
 ALL STAIR AND RAMP HANDRAIL & GUARD RAIL HEIGHTS ARE TO BE MEASURED FROM THE NOSE OF THE STAIR.
 HANDRAILS - 34" - 36"
 GUARDRAILS - 42" MINIMUM
 ALL STAIRS ARE TO HAVE COMPLIANT RISE AND RUN.
 RISE - 7" MAXIMUM
 RUN - 11" MINIMUM
 TREAD EDGE RADIUS- 1/2" MAX.

HANNEY & ASSOCIATES, ARCHITECTS
 1726 South Hillside, Wichita, Kansas, 67211
 Phone (316) 883-8965
 Fax (316) 884-1441
 www.haarchitects.com

4/4/14

2019 OXFORD ELEMENTARY SCHOOL UNIFIED SCHOOL DISTRICT 358
 319 East College Street, Oxford, Kansas 67119

DRAWINGS ISSUED		
NO.	DATE	ITEM ISSUED
8	4/9/14	ADDENDUM 2
7	8/1/14	ISSUED FOR BIDS
6	8/1/14	90% REVIEW
5	7/5/14	REVIEW
4	6/24/14	REVIEW
3	5/6/14	REVIEW
2	4/27/14	REVIEW
1	4/08/14	REVIEW

COMPUTER DRAWING
 358_ELEM_SP103.dwg

DATE: AUGUST, 2014
 DRAWN BY: MH, CH, MB, JC
 CHECKED BY: MRH

SHEET
SP1.3
 OF 1 SHEETS