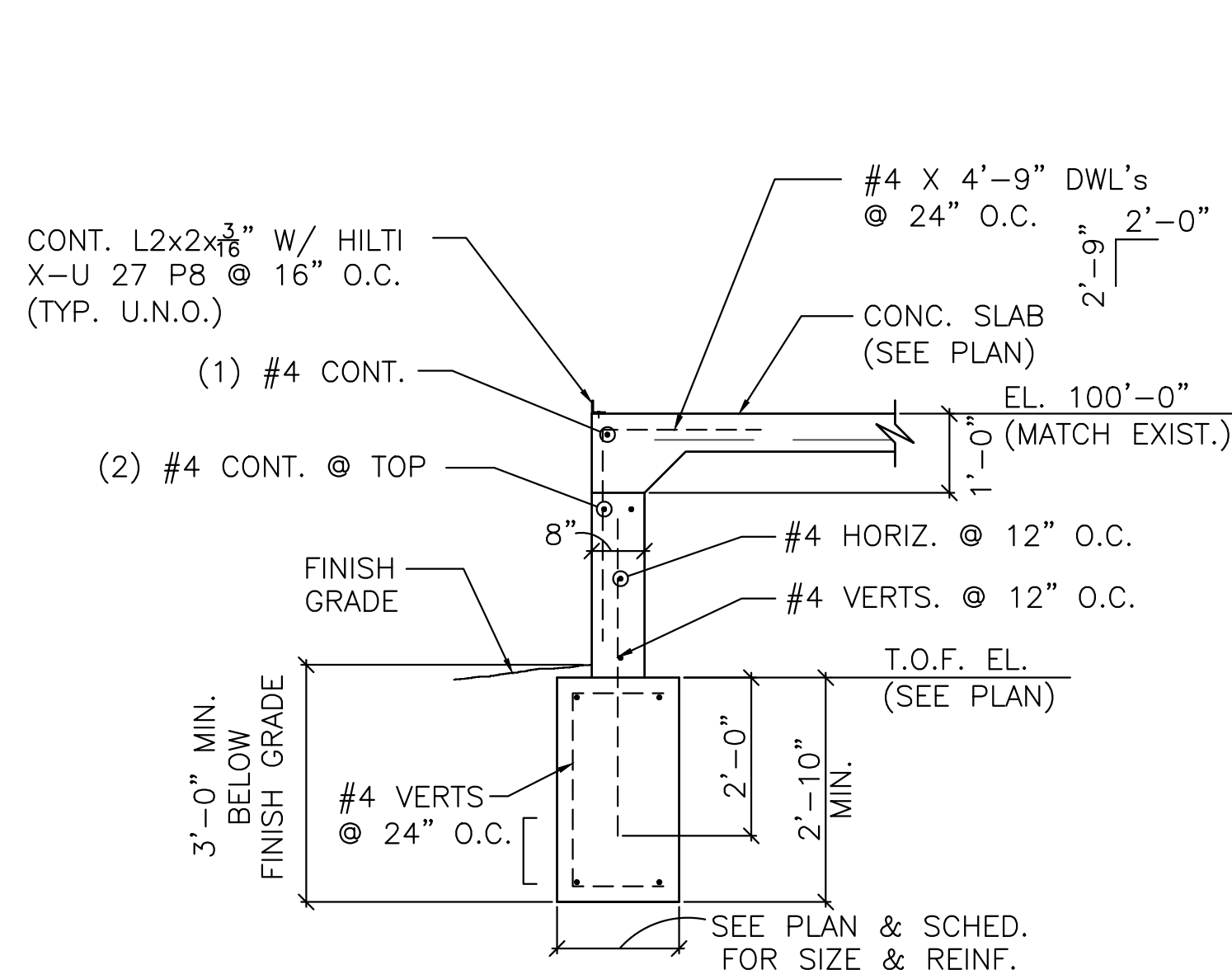
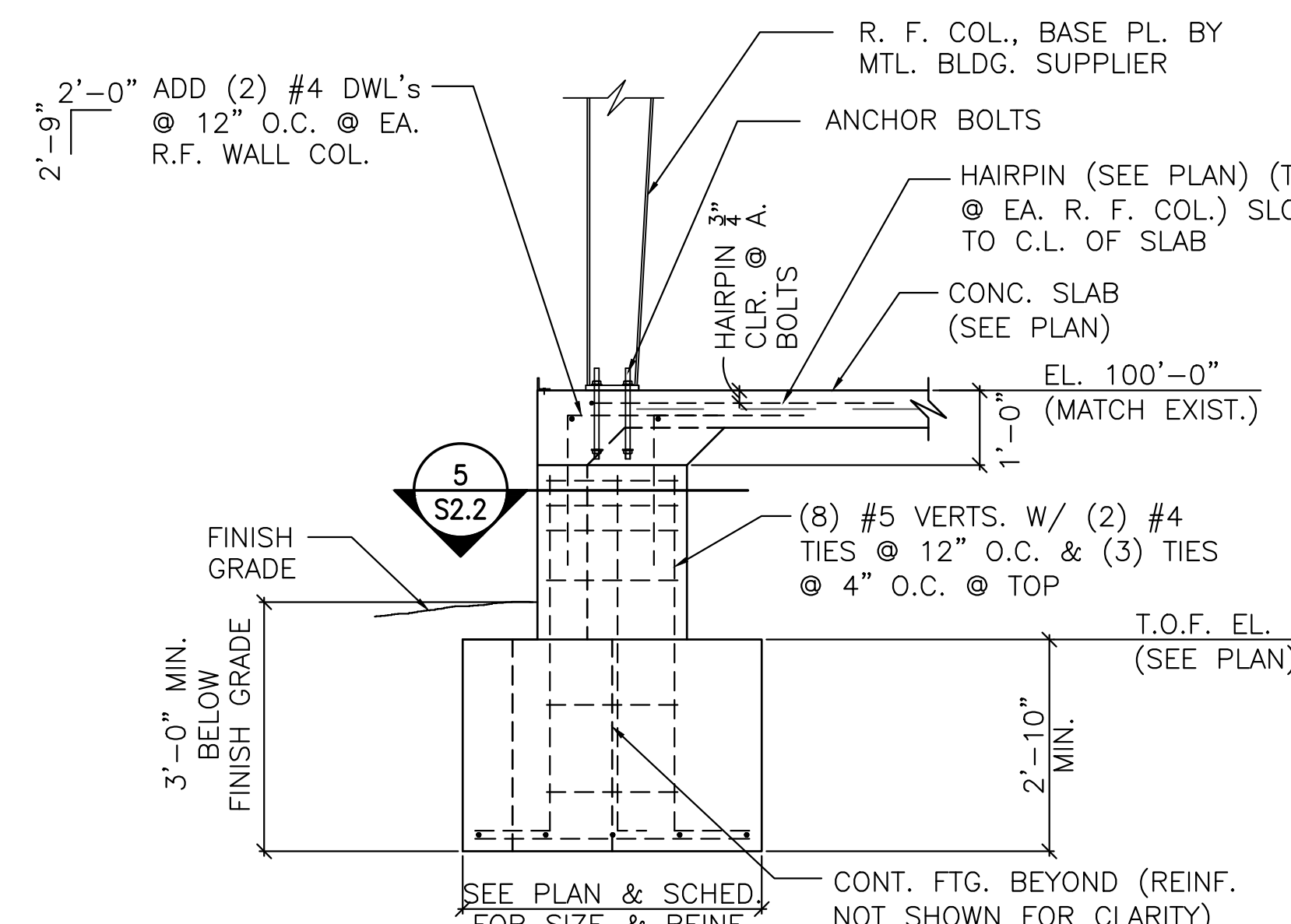




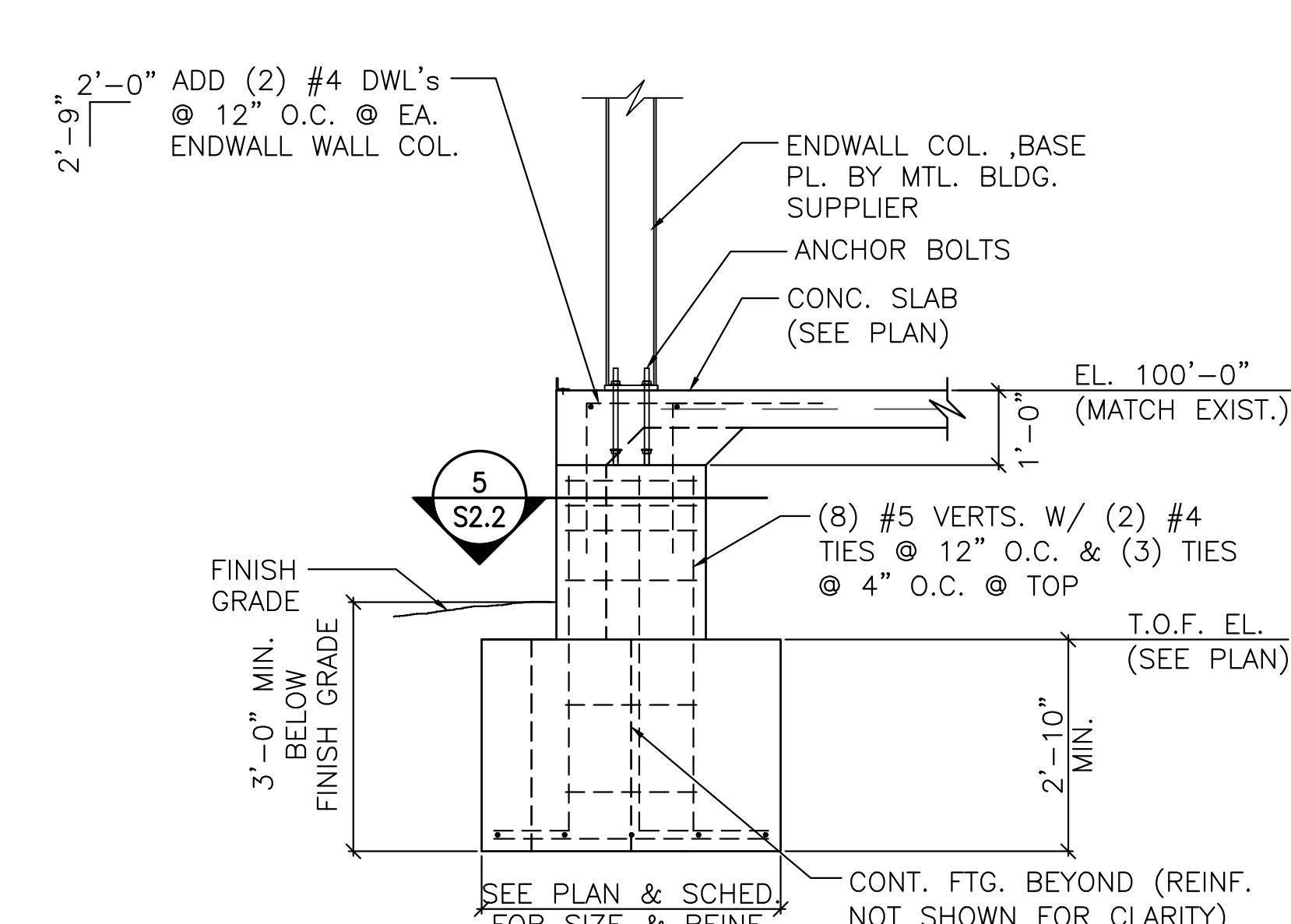
HANNEY & ASSOCIATES, ARCHITECTS
 1726 South Hillside, Wichita, Kansas, 67218
 Phone (316) 683-8965
 Fax (316) 684-1441
 www.haarchitects.com



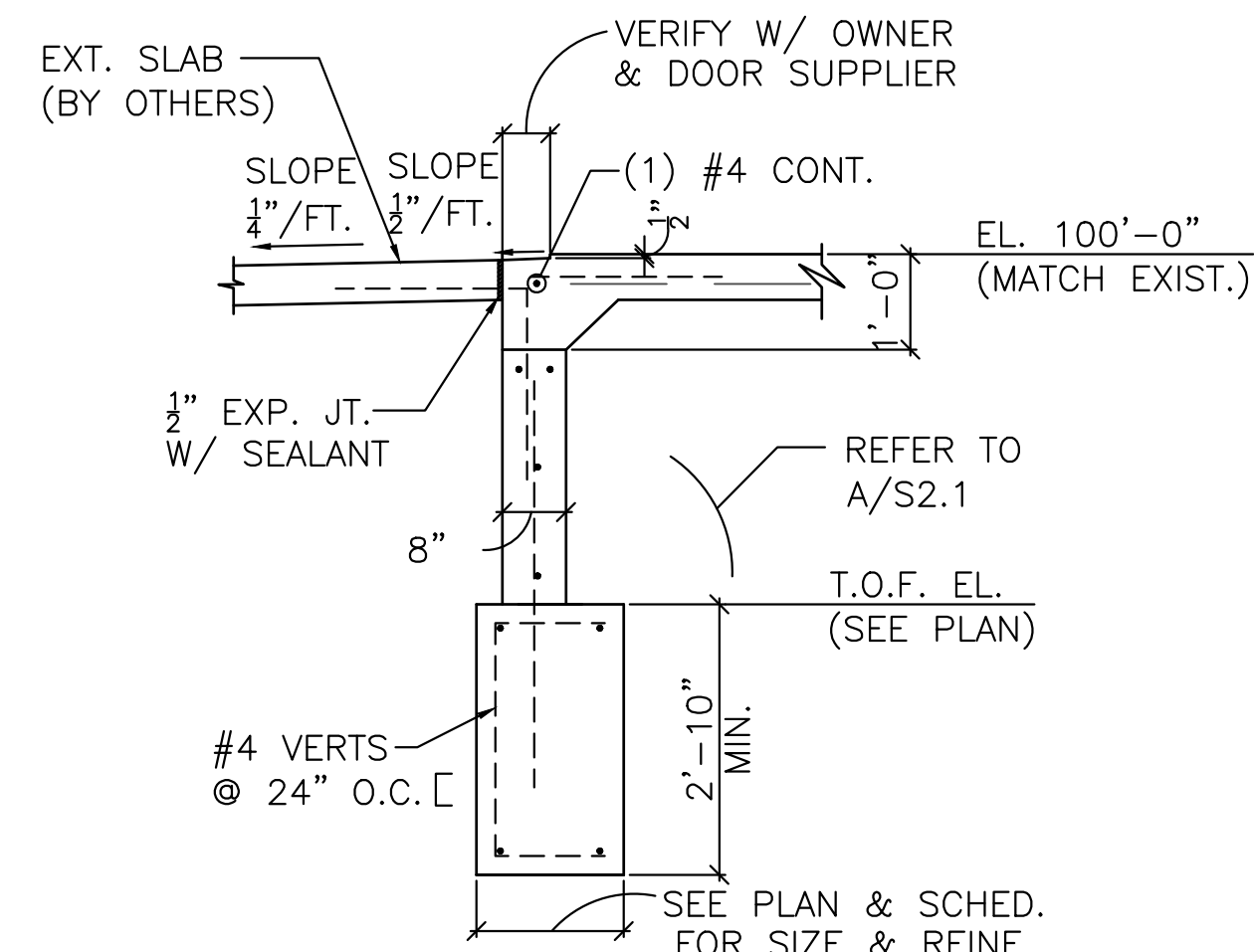
SECTION @ FNDN.
 A S2.1 SCALE: 1/2" = 1'-0"



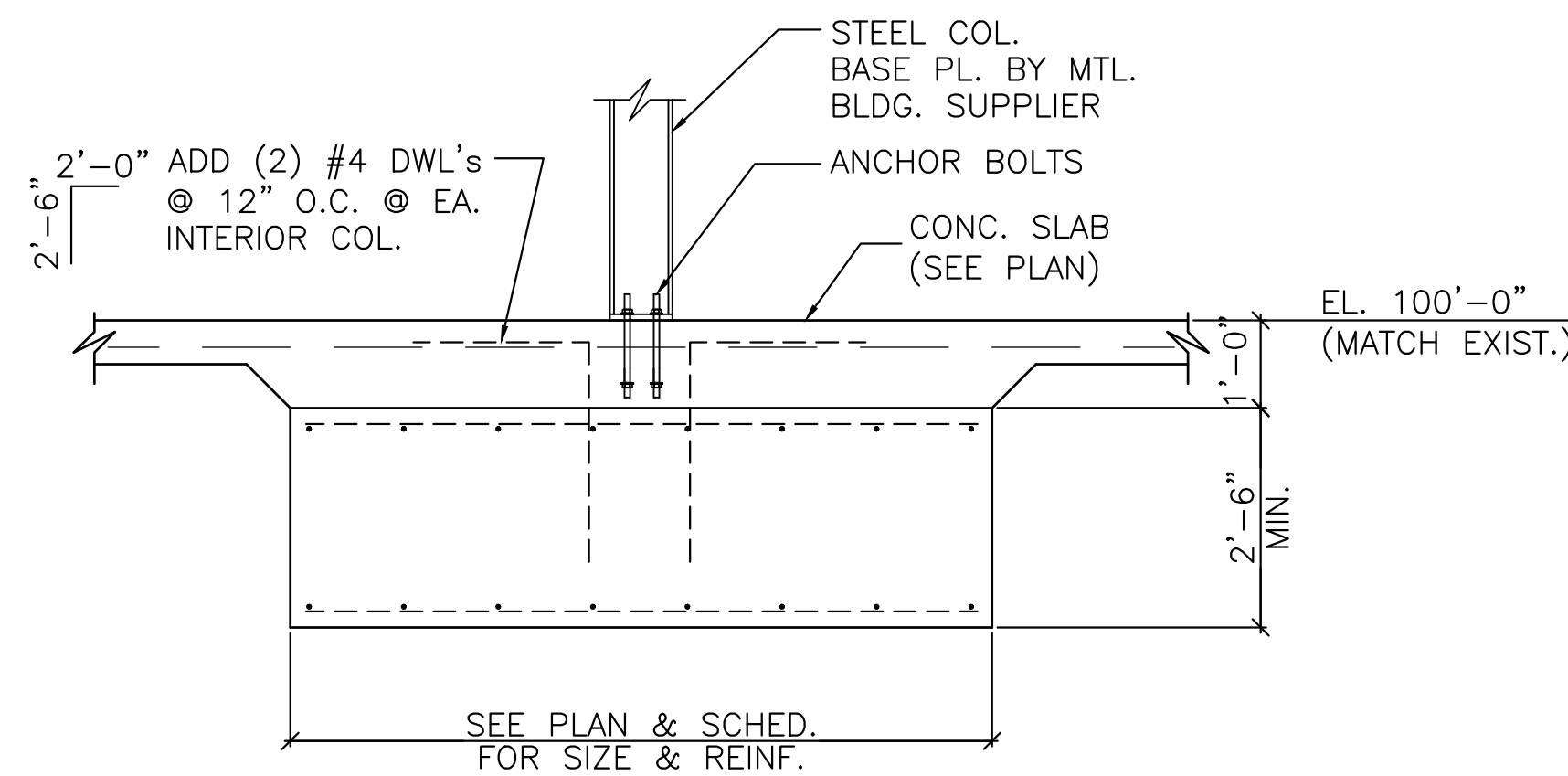
SECTION @ FNDN.
 B S2.1 SCALE: 1/2" = 1'-0"



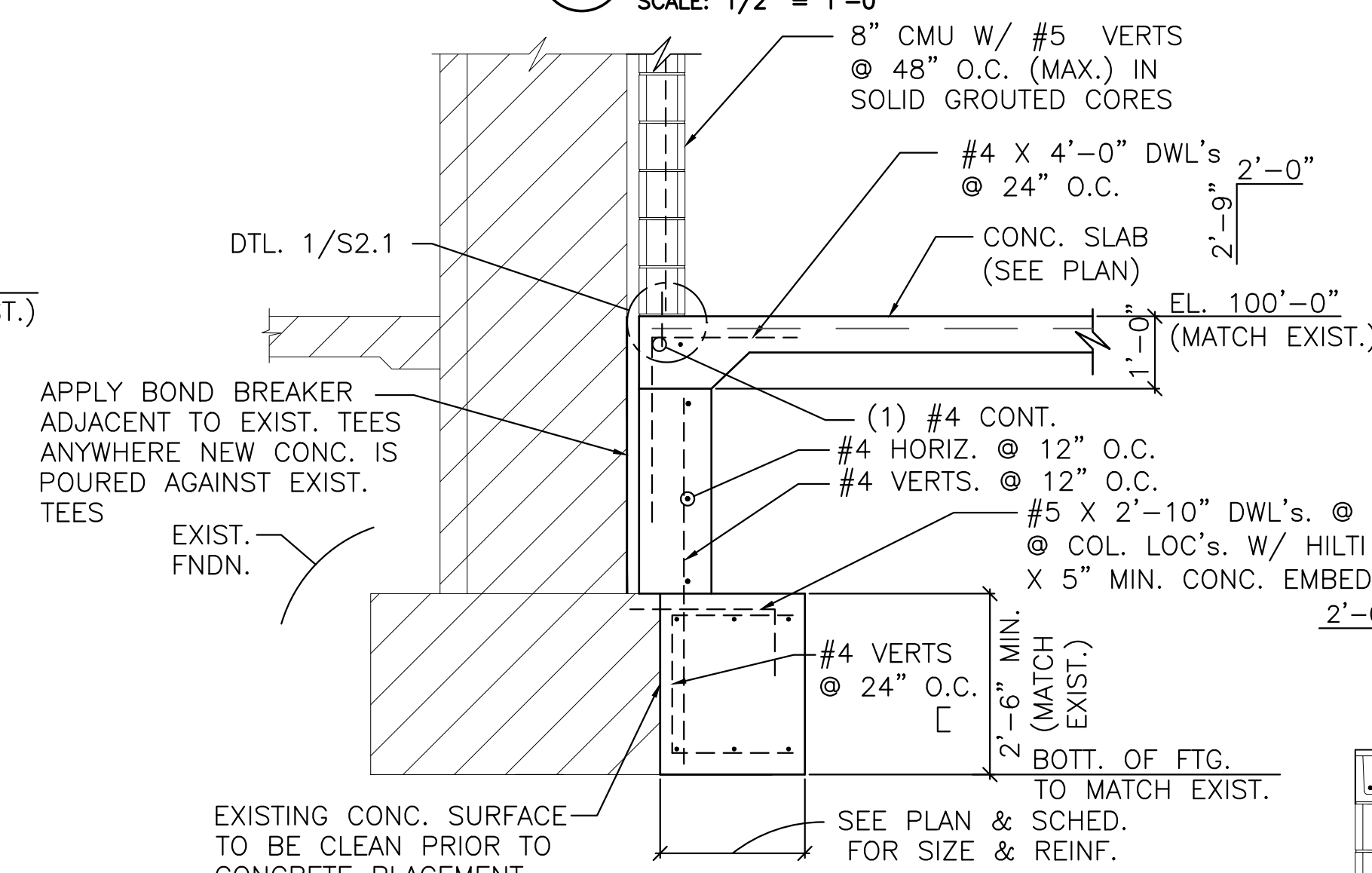
SECTION @ FNDN.
 C S2.1 SCALE: 1/2" = 1'-0"



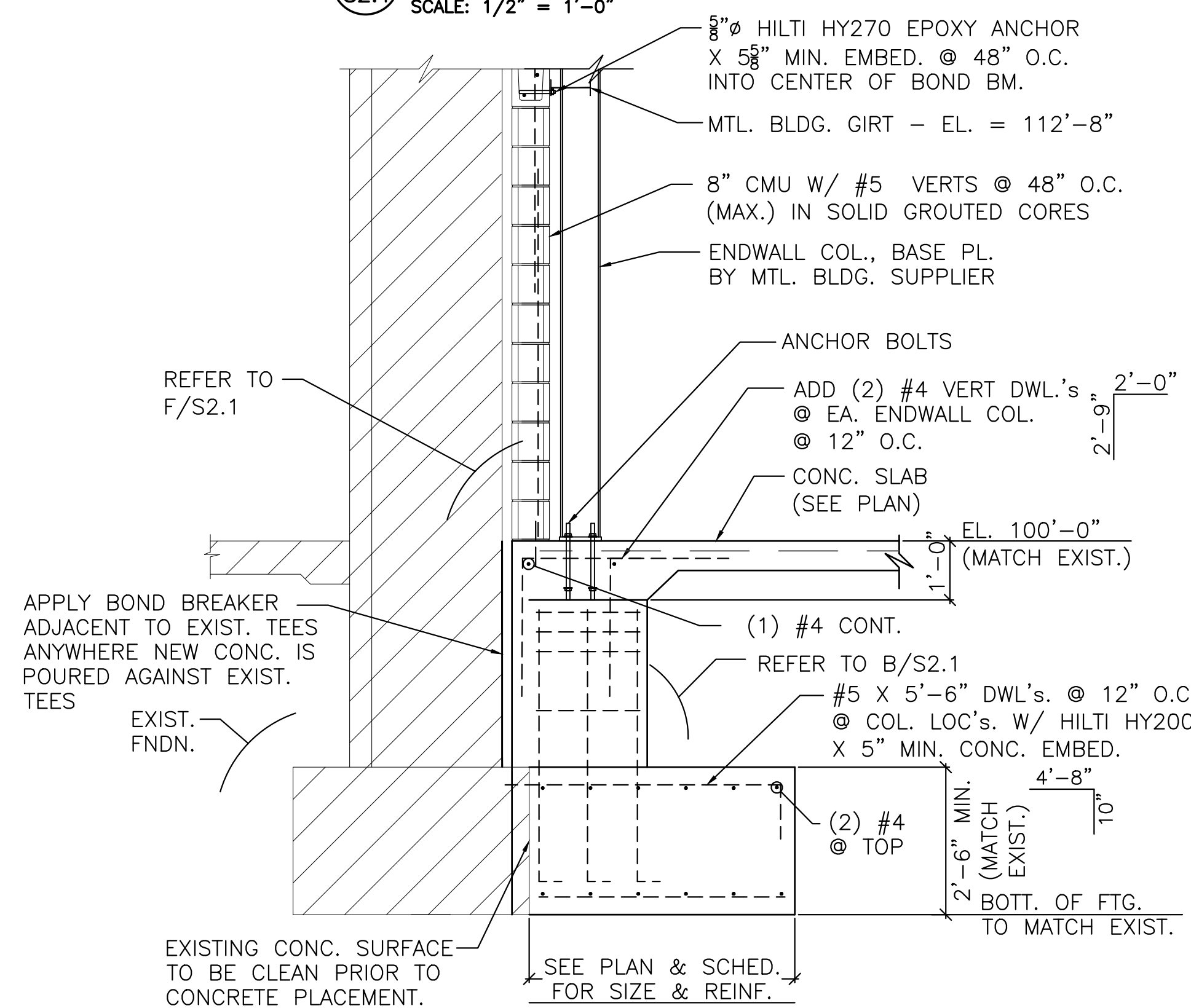
SECTION @ FNDN.
 D S2.1 SCALE: 1/2" = 1'-0"



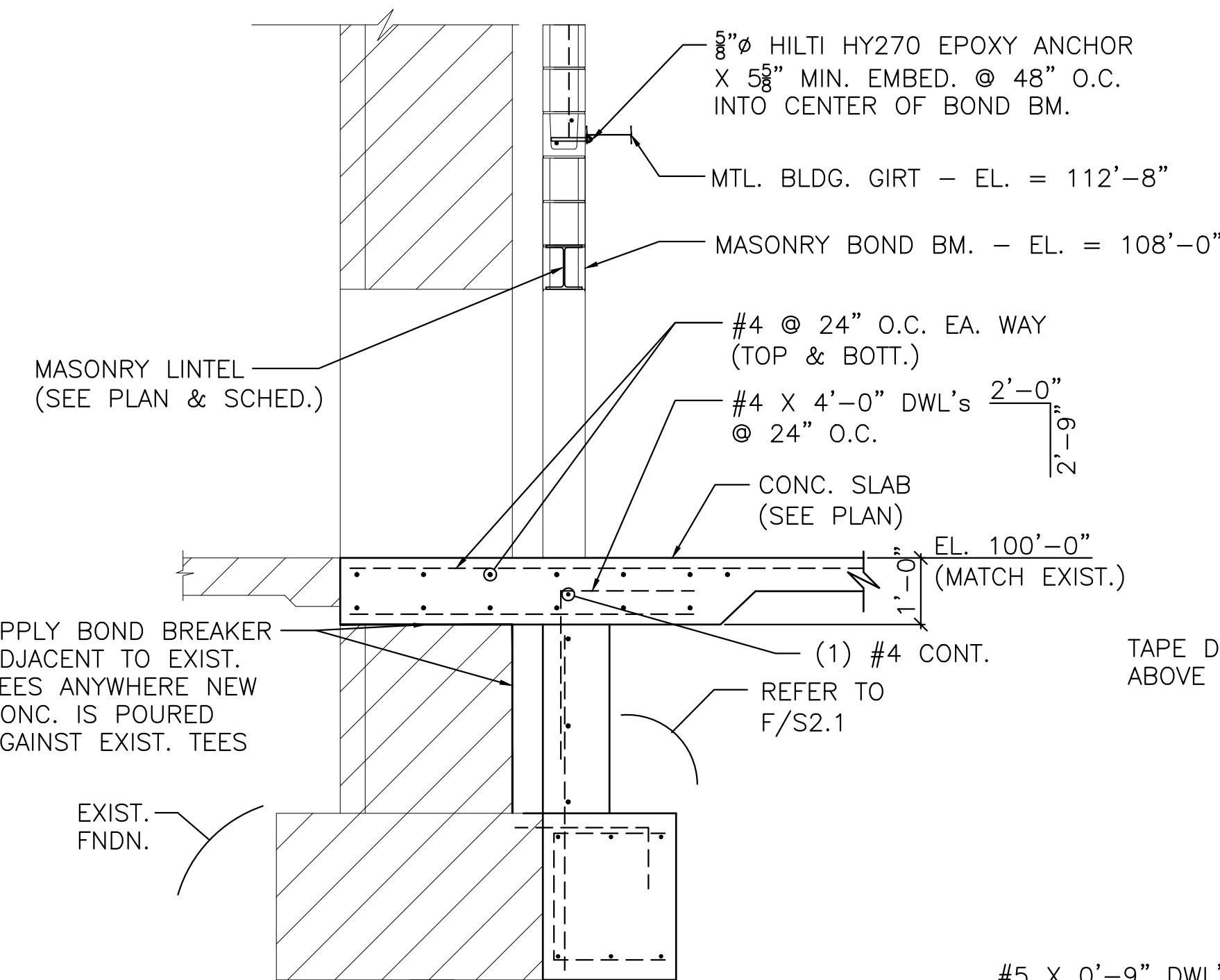
SECTION @ FNDN.
 E S2.1 SCALE: 1/2" = 1'-0"



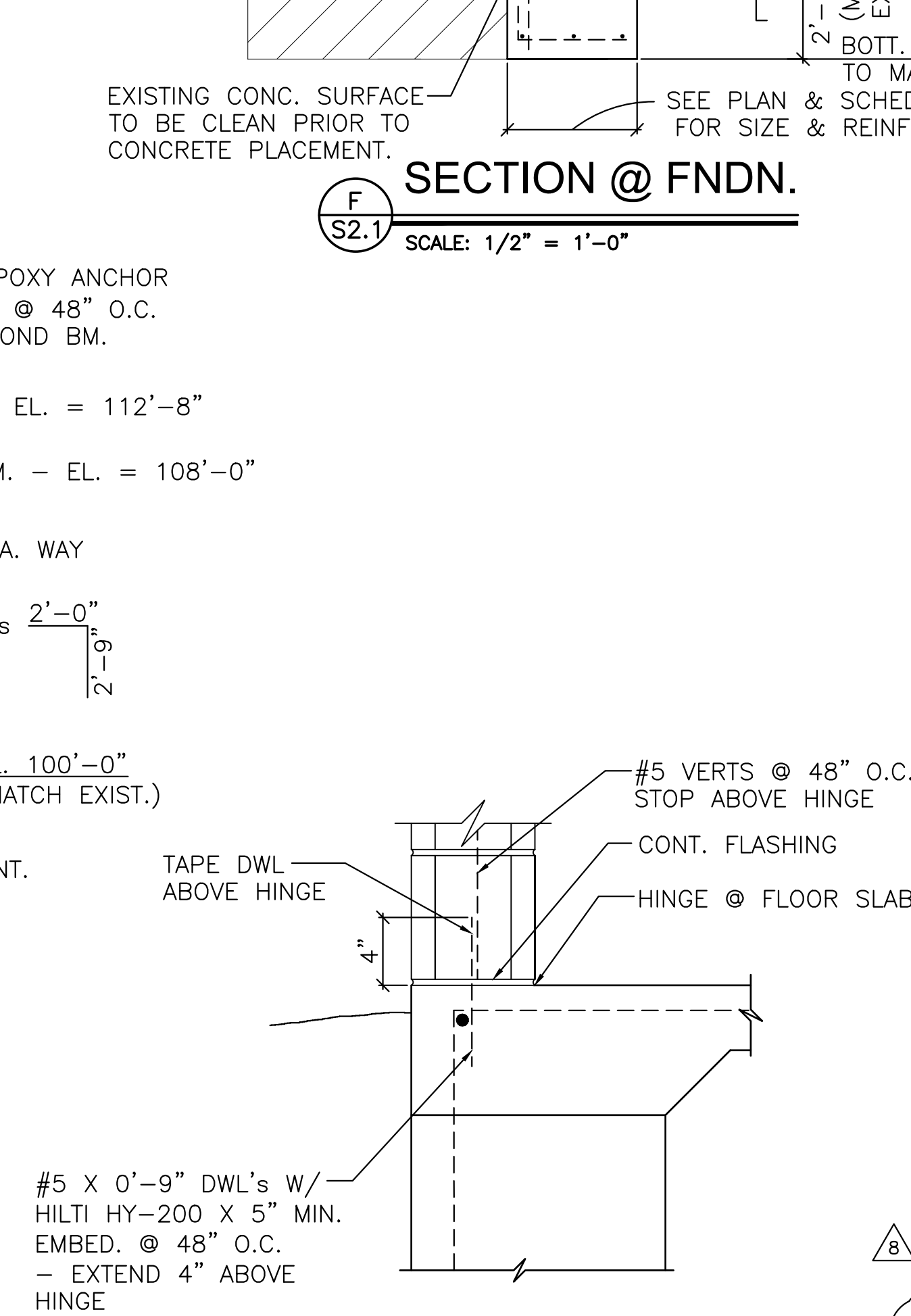
SECTION @ FNDN.
 F S2.1 SCALE: 1/2" = 1'-0"



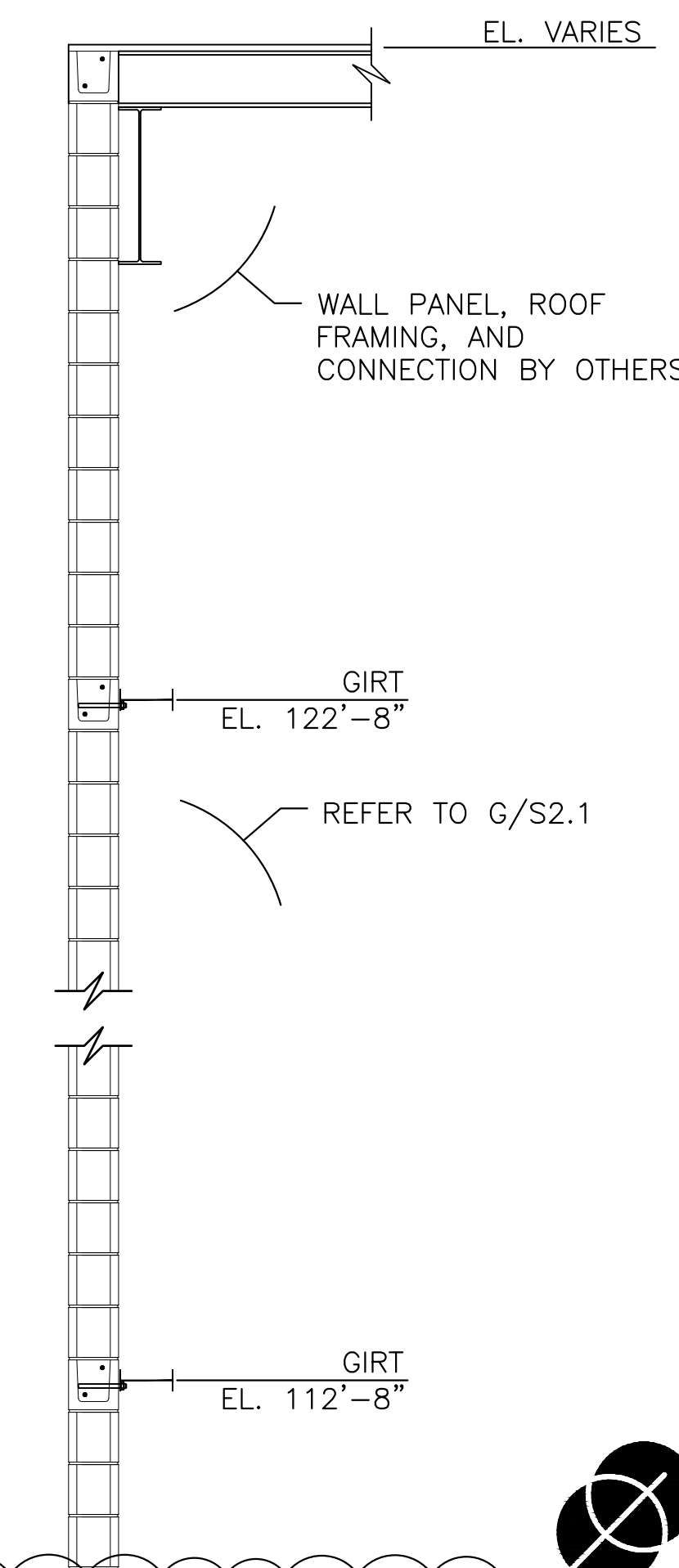
SECTION @ FNDN.
 G S2.1 SCALE: 1/2" = 1'-0"



SECTION @ FNDN.
 H S2.1 SCALE: 1/2" = 1'-0"



SECTION @ FNDN.
 I S2.1 SCALE: 1/2" = 1'-0"



WALL ELEVATIONS
 J S2.1 SCALE: 1/2" = 1'-0"

2019 BOOT BARN WAREHOUSE EXPANSION
 4950 South Laura, Wichita, Kansas 67218

DRAWINGS ISSUED		
NO.	DATE	ITEM ISSUED
8	8/13	PLAN REVIEW REV. 2
7	1/24	PLAN REVIEW REV. 1
1	7/1	FOR PERMIT

FOUNDATION DETAILS	
DATE: JULY 1, 2019	
DRAWN BY: MLC	CHECKED BY: WHRR
SHEET	
S2.1	
OF SHEETS	

