

DRAWINGS ISSUED		
NO.	DATE	ITEM ISSUED
9	8/22	ADDENDUM 2
8	8/13	PLAN REVIEW REV. 2
7	7/24	PLAN REVIEW REV. 1
1	7/1	FOR PERMIT

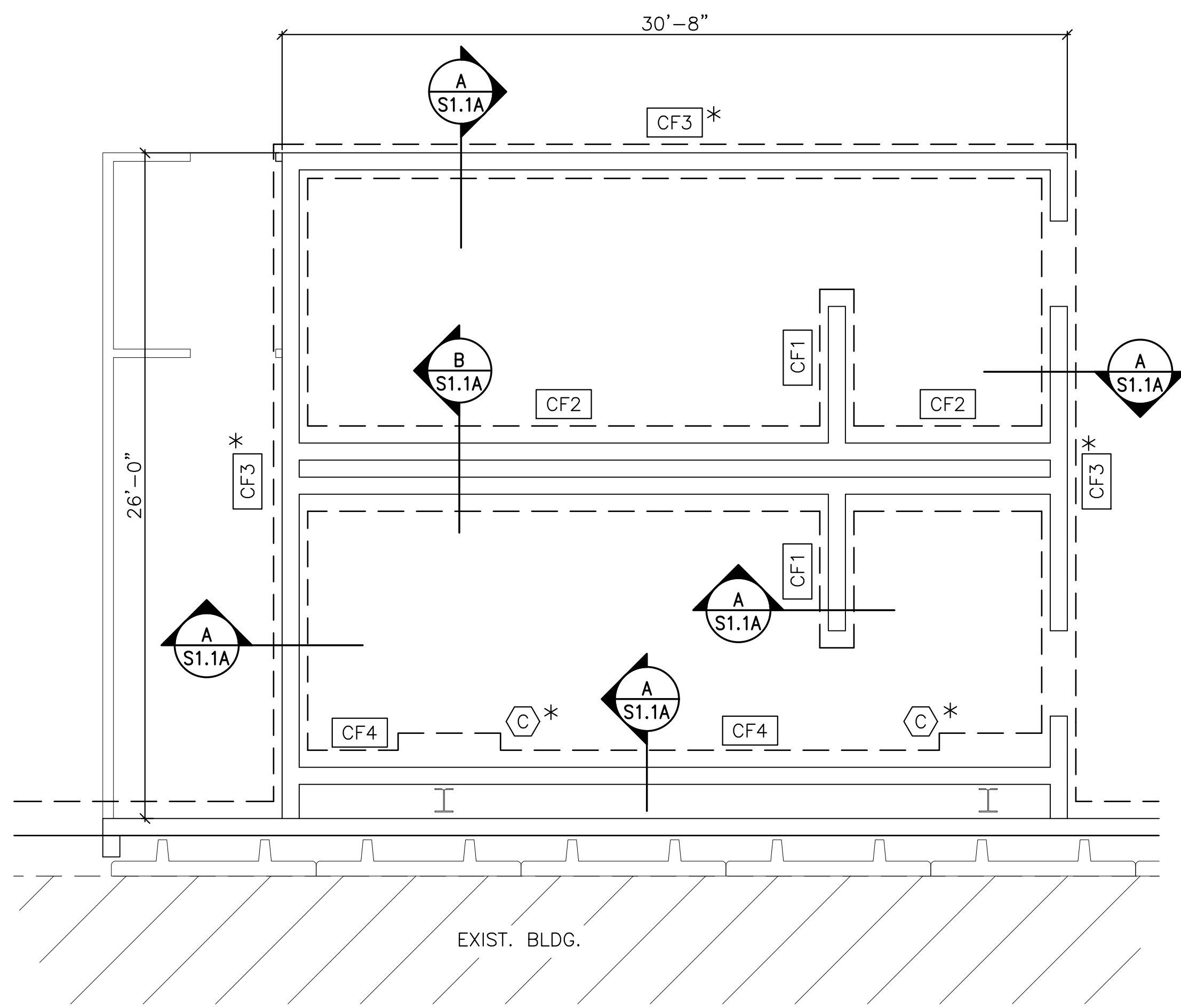
REINFORCED ROOM DETAILS

DATE: JULY 1, 2019
 DRAWN BY: MLC CHECKED BY: WHRR

SHEET

S1.1A

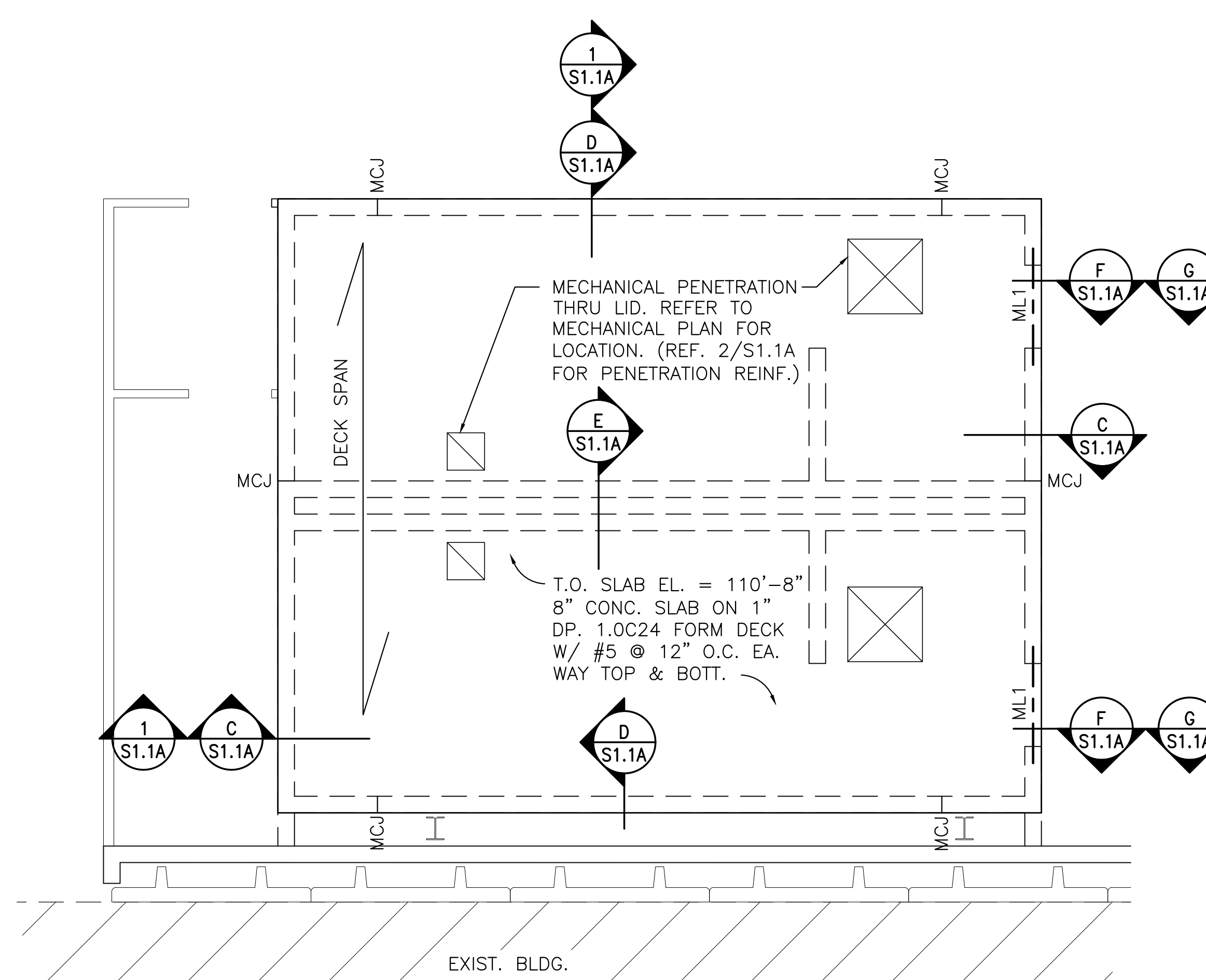
OF SHEETS



PARTIAL FTG. & FNDN. PLAN

SCALE: 1/4" = 1'-0"

- NOTES:
 1. * = FTG. IS 2'-6" DP.
 2. T.O. FOOTING EL. = 99'-0" THIS SHEET

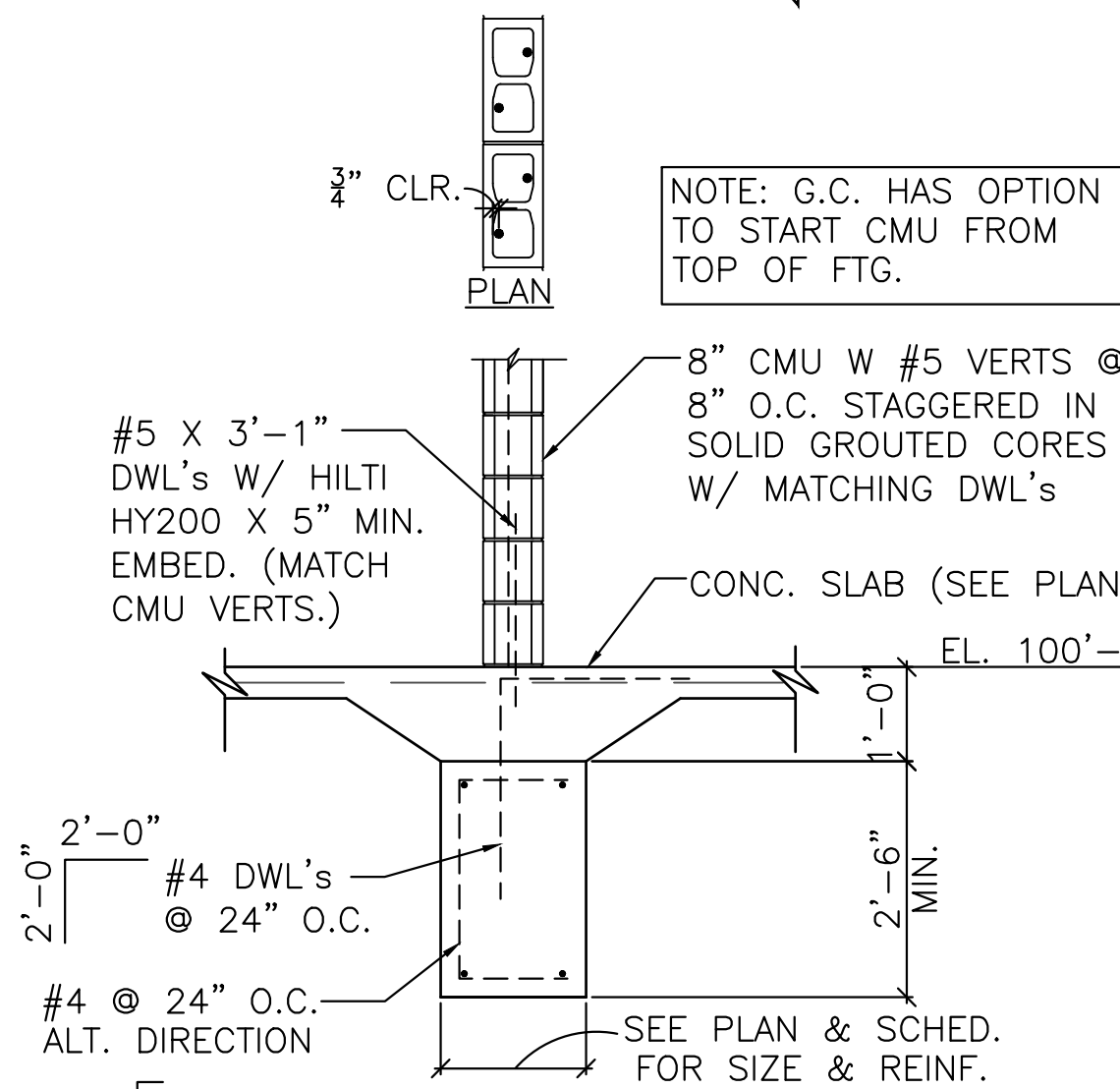


MEZZANINE FRAMING PLAN

SCALE: 1/4" = 1'-0"

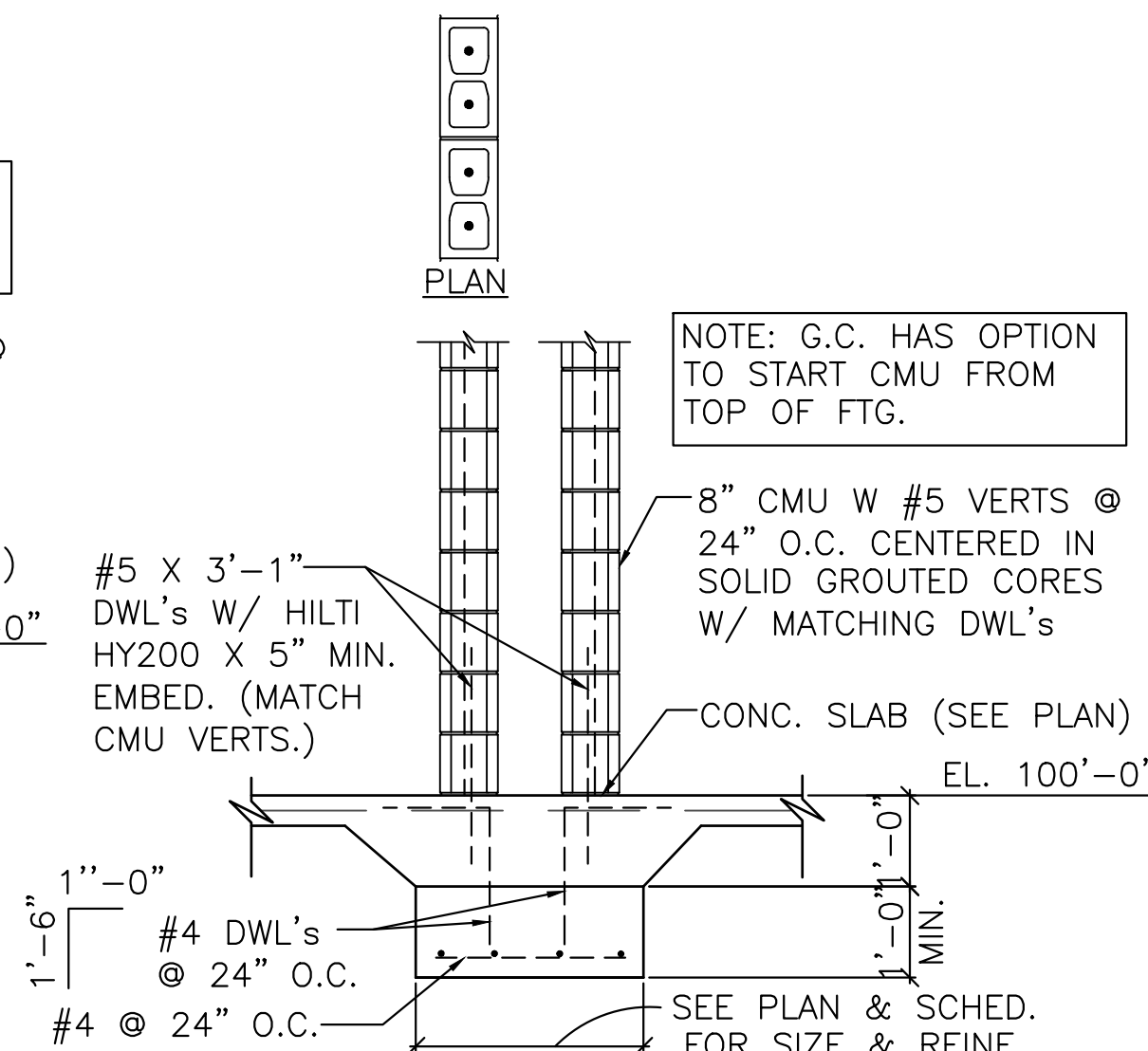
- NOTE:
 1. MCJ = MASONRY CONTROL JOINT
 2. SHORE METAL DECK @ 4'-0" O.C. (MAX.) DURING CONSTRUCTION

NOTE:
 AT MASONRY CONTROL JOINTS BOND BEAM REINFORCEMENT AT JST. BRG. & DECK BRG. SHALL BE CONT. WITH VERTICAL JOINT AT BOTH SIDES RAKED 2" DEEP AND SEALED. OTHER BOND BEAMS AT CONTROL JOINTS ARE DISCONTINUOUS, UNLESS NOTED.
 NOTE:
 8" DP. BOND BM. W/ (2) #5 CONT. SHALL BE SPACED AT 10'-0" O.C. MAX. VERTICALLY IN WALL



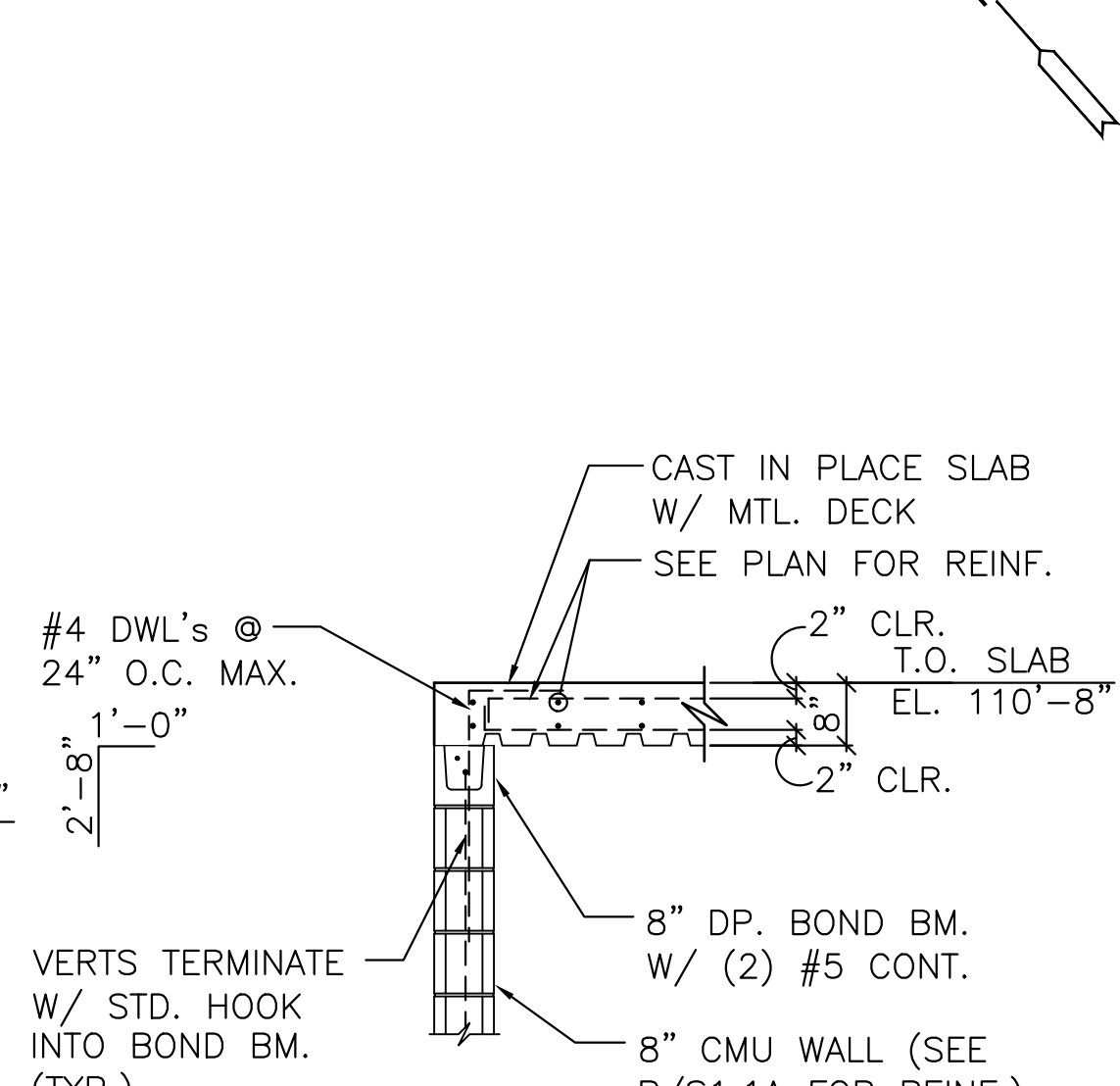
SECTION @ FNDN. A

SCALE: 1/2" = 1'-0"



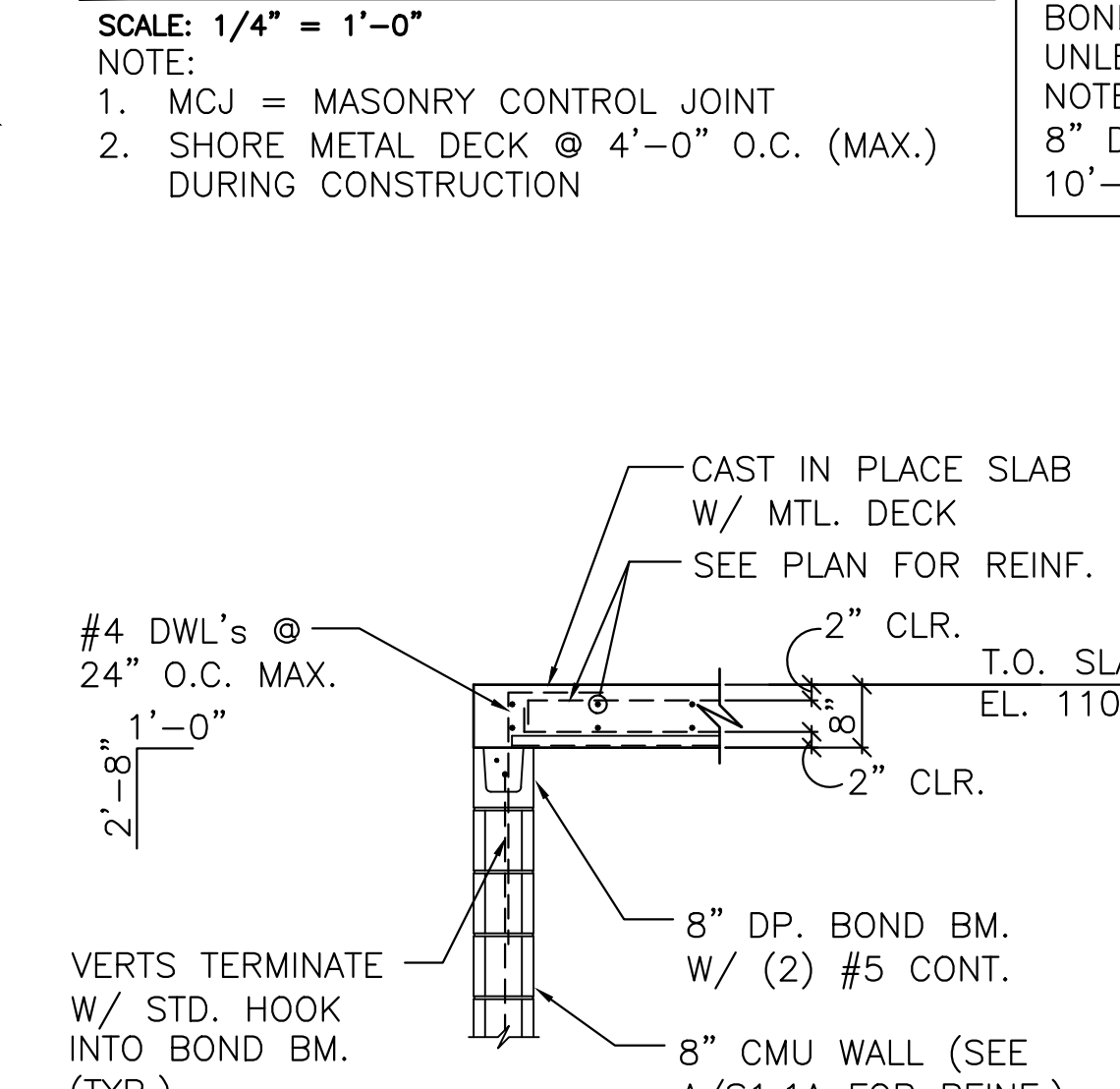
SECTION @ FNDN. B

SCALE: 1/2" = 1'-0"



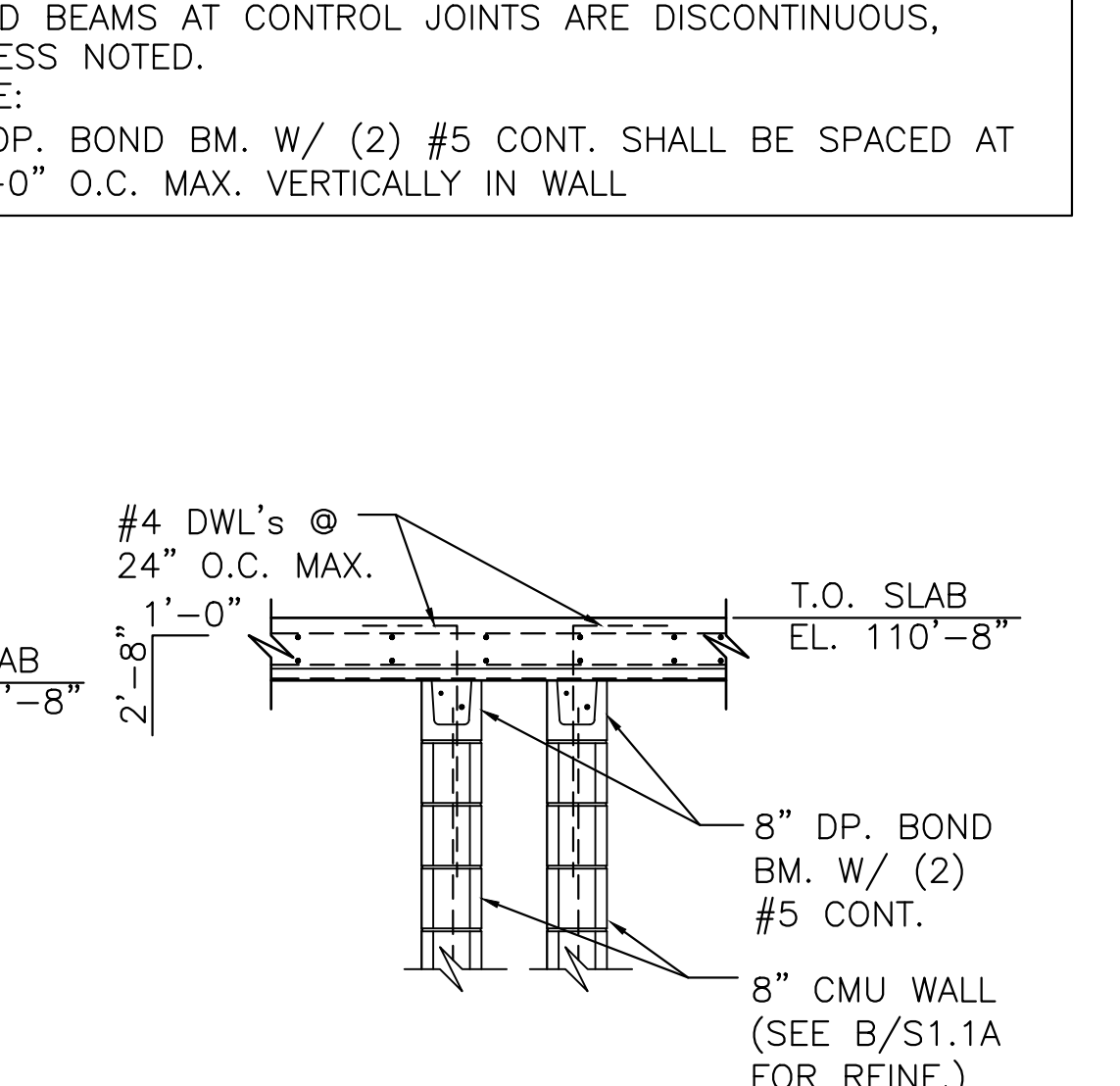
SECTION @ MEZZANINE C

SCALE: 1/2" = 1'-0"



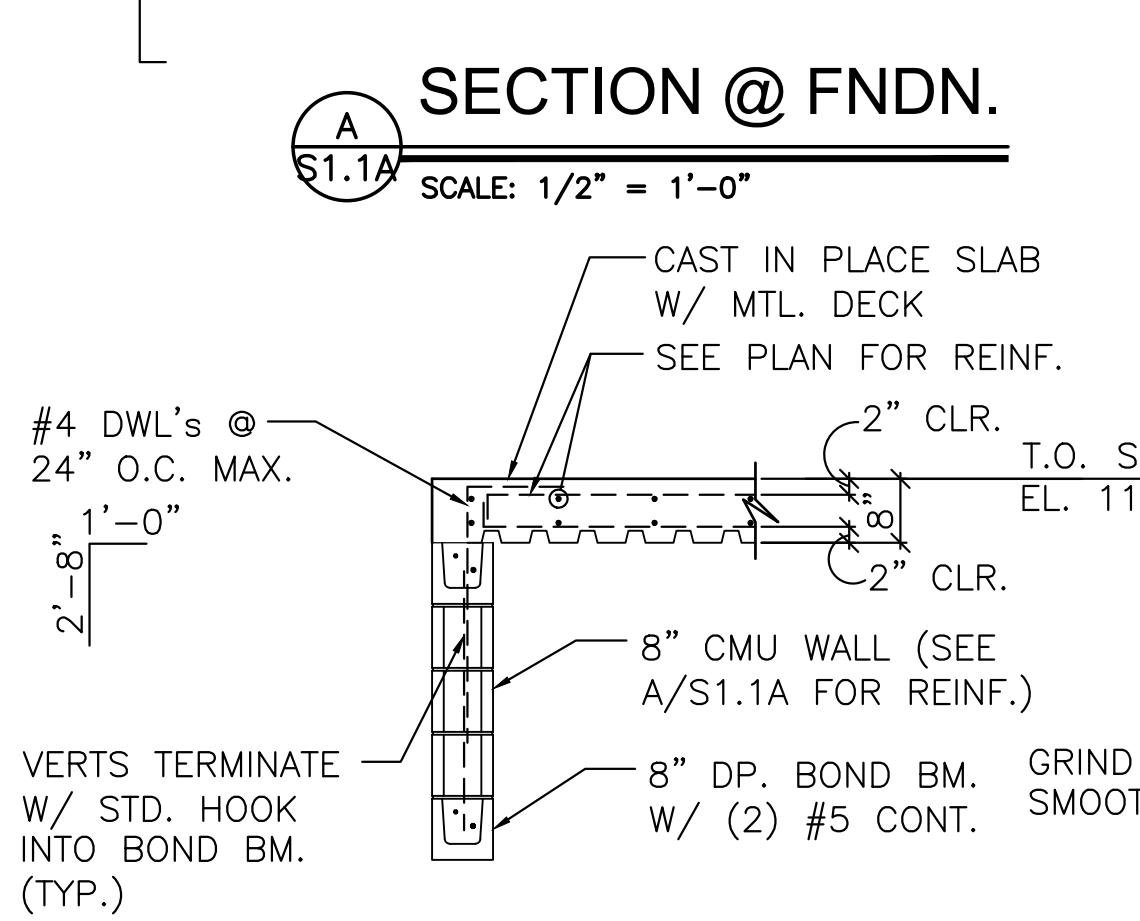
SECTION @ MEZZANINE D

SCALE: 1/2" = 1'-0"



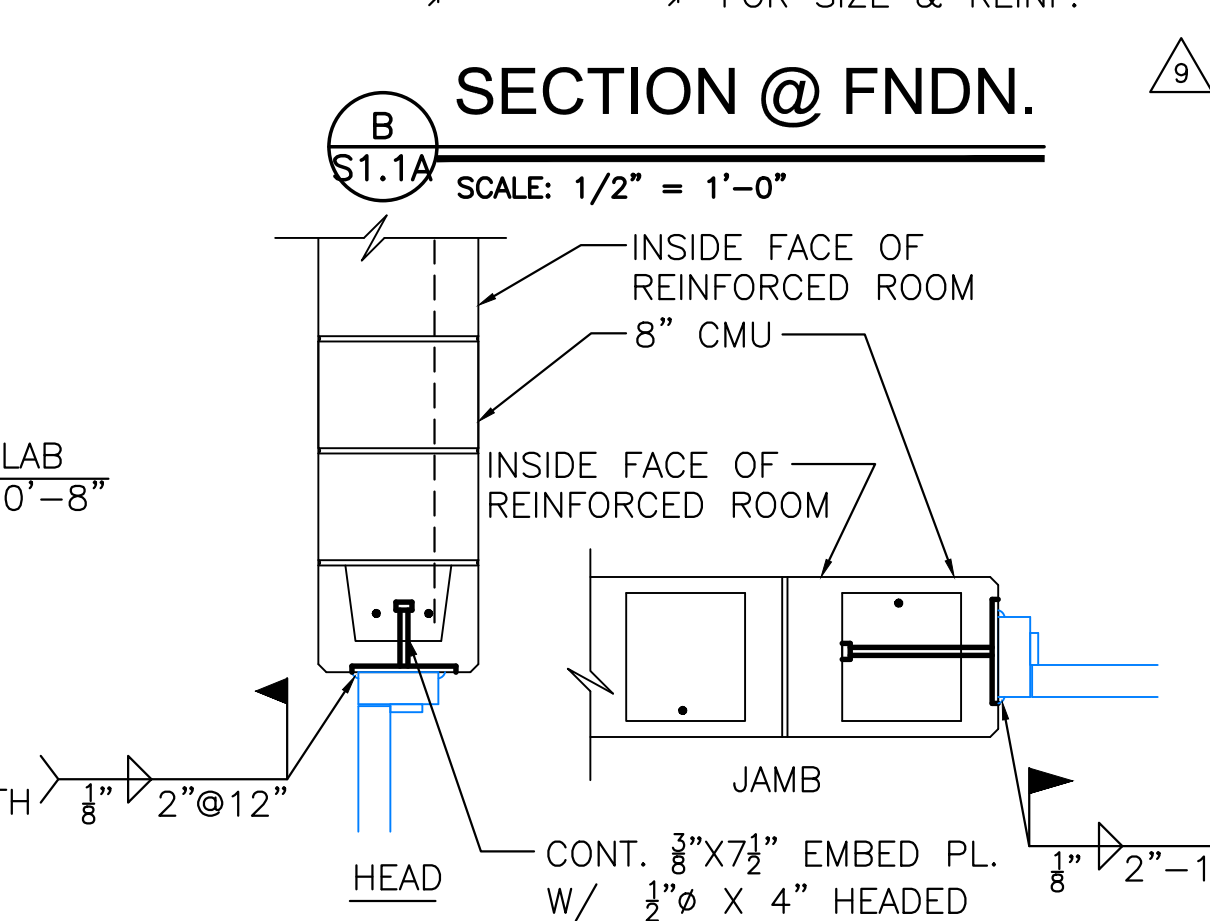
SECTION @ MEZZANINE E

SCALE: 1/2" = 1'-0"



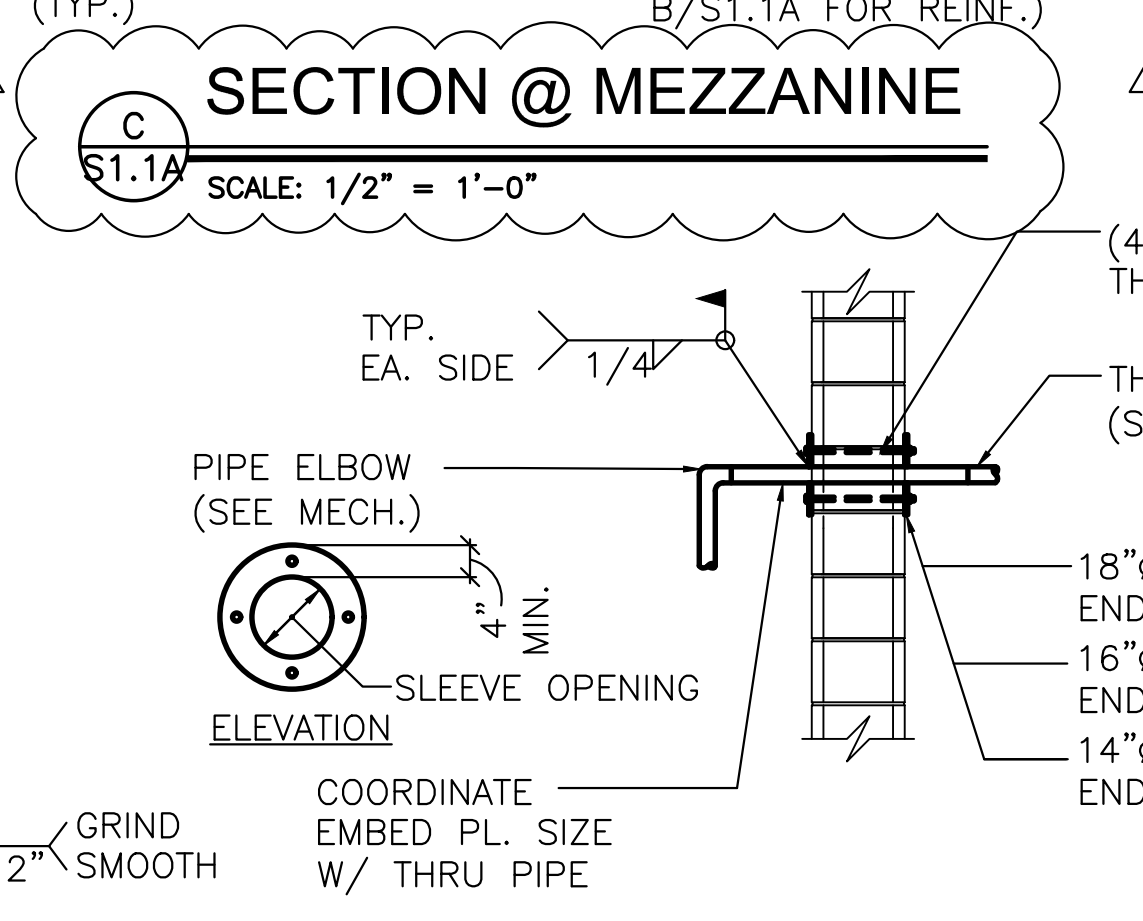
SECTION @ MEZZANINE F

SCALE: 1/2" = 1'-0"



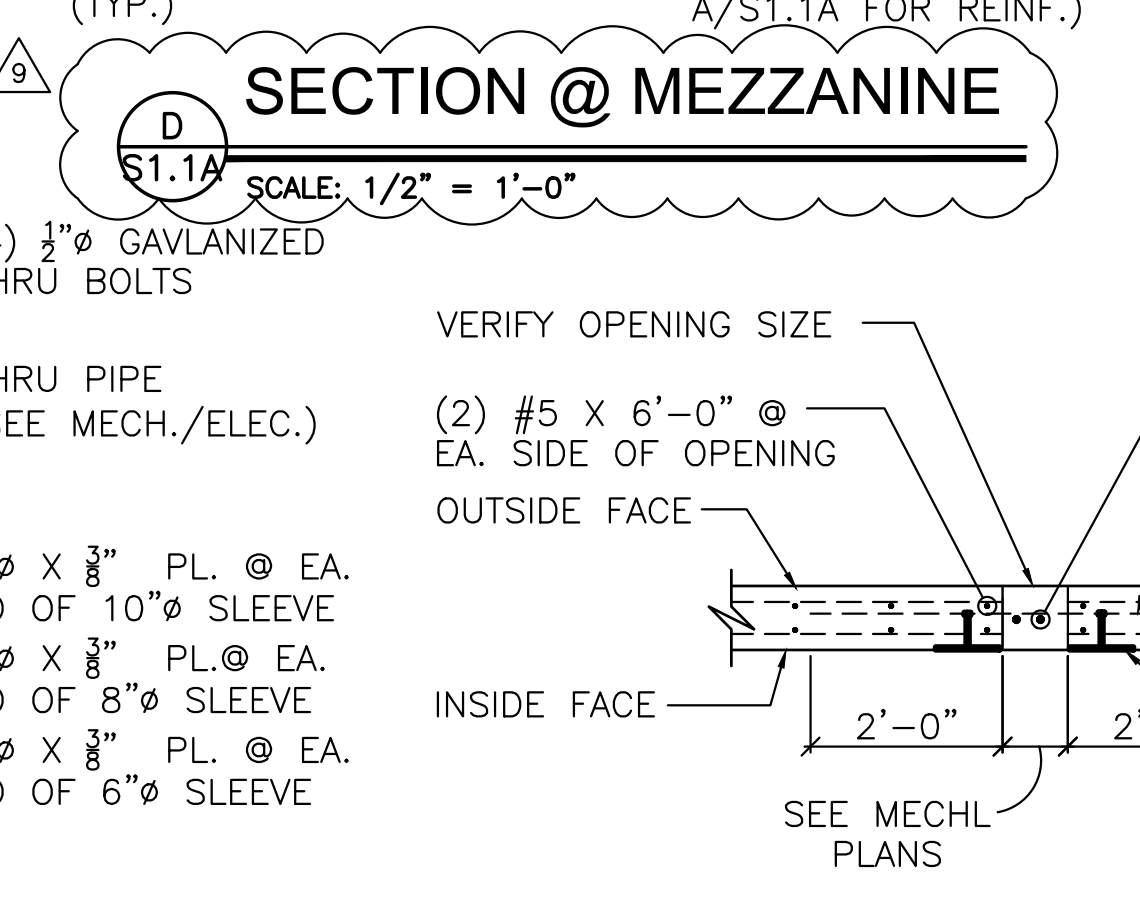
SECTION @ MEZZANINE G

SCALE: 1/2" = 1'-0"



DTL. @ PIPE PENETRATION

SCALE: 1/2" = 1'-0"



DTL. @ MECH. PENETRATION

SCALE: 1/2" = 1'-0"